

### Receiver

Company  
 Reference  
 Address  
 Phone  
 Fax  
 E-mail

### Item no. Customer pos. no.:

60220523

### Model:

3 ESY Box Max 85/120 GAS 3x380-480 50/60 DW

### Pump data

Pressure rating : 1200 kPa  
 Constant pressure range : 100 - 1200 kPa (300 kPa by default)  
 Min. fluid temperature : 0 °C  
 Max. fluid temperature : 50 °C  
 Max. Temperature operating : 55 °C

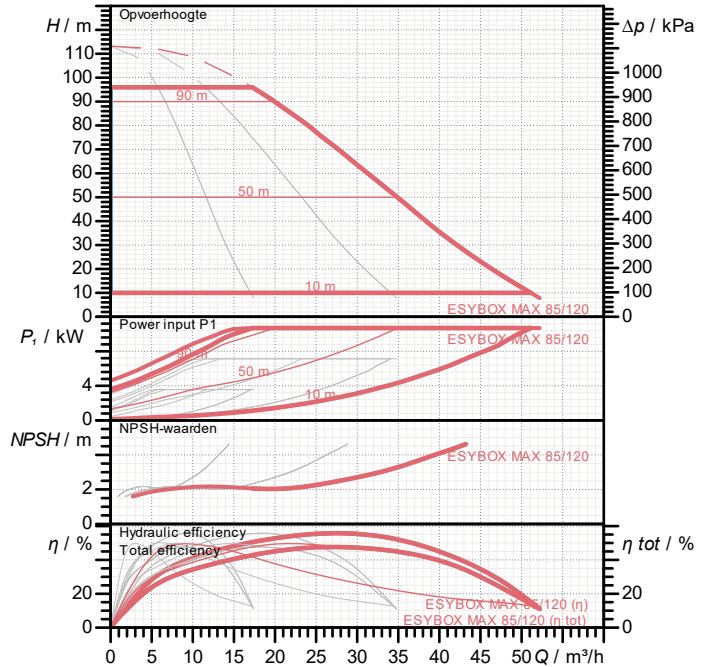
### Requested data

Flow :  
 Head :  
 Fluid : Water  
 Fluid Temperature : 20 °C  
 Density : 998.3 kg/m<sup>3</sup>  
 Kinematic viscosity : 1.005 mm<sup>2</sup>/s  
 Dampspanning : 2.34 kPa

### Materials

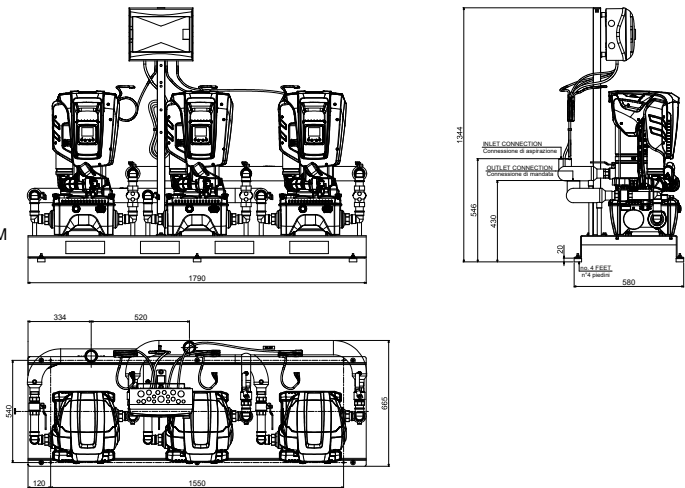
Fitting	Technopolymer PA66 30%GF
Manifold	Stainless Steel AISI 304
Flange	Technopolymer PA66 30%GF
Pump body	Technopolymer PA66 30%GF
Pump body ring	Technopolymer PP 30%GF
Impeller	Technopolymer PP 30%GF/AISI 304
Diffuser	Technopolymer PP 30%GF/AISI 304
Motor axis	Stainless Steel AISI 303
O-Ring	EPDM
Motor flange	Technopolymer PA66 30%GF
Mechanical seal	Impregnated carbon-resin/Silicon carbide/EPDM
Motor liner	Stainless Steel AISI 304
Motorhuis	Technopolymer PA66 30%GF
Conveyor tube	Technopolymer PP 30%GF
Pressure sensor	Nylon/EPDM
Non-return valve	POM/EPDM/AISI 302
Non-return valve body	Technopolymer PA66 30%GF
Tank	Noryl/Rubber
Delivery body	Technopolymer PA66 30%GF
Outer liner	Stainless Steel AISI 304

### Curve tolerance according to ISO 9906



### Hydraulic data (duty point)

Flow :  
 Head :



\*Without the pillar kit and panel, do not consider the H4

### Dimension mm

DNA	2"						
DNM	2"						

Gewicht: 0 kg

### Pump connection

Suction side 2" G / 1200 kPa  
 Discharge side 2" G / 1200 kPa

### Motor data

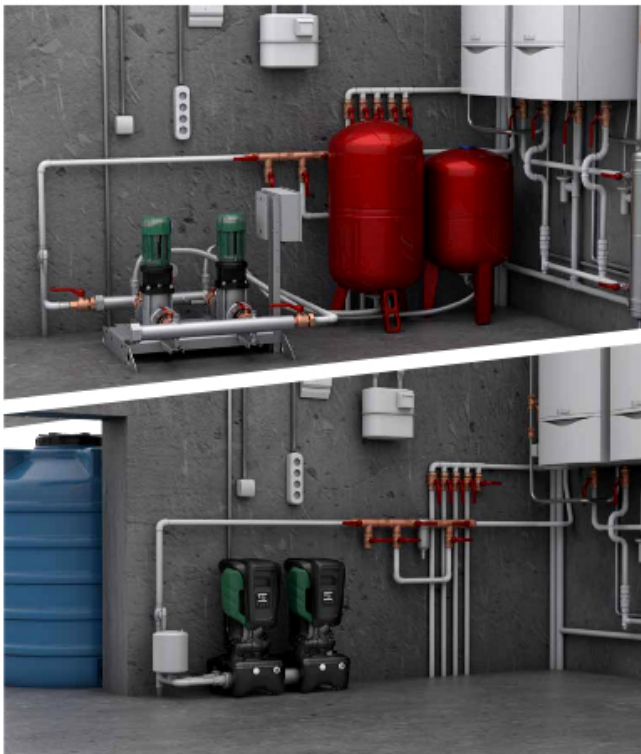
Max. Power input P<sub>1</sub> : 3 x 3.5 kW  
 Maximum speed : 5350 1/min  
 Rated voltage : 3~ 380-480 V 50 Hz  
 Nominal current : 3 x 5.5 A  
 Degree of protection : IP X5

# ENERGY SAVING

BEFORE

AFTER

- 20%  
Compared with  
traditional inverter pump



**D+CONNECT**  
BUILT-IN



As quick as a "click"

**OSA**  
ON SITE ASSEMBLY





# PERFORMANCE CURVES

27.05.2026

Pagina 3 / 4

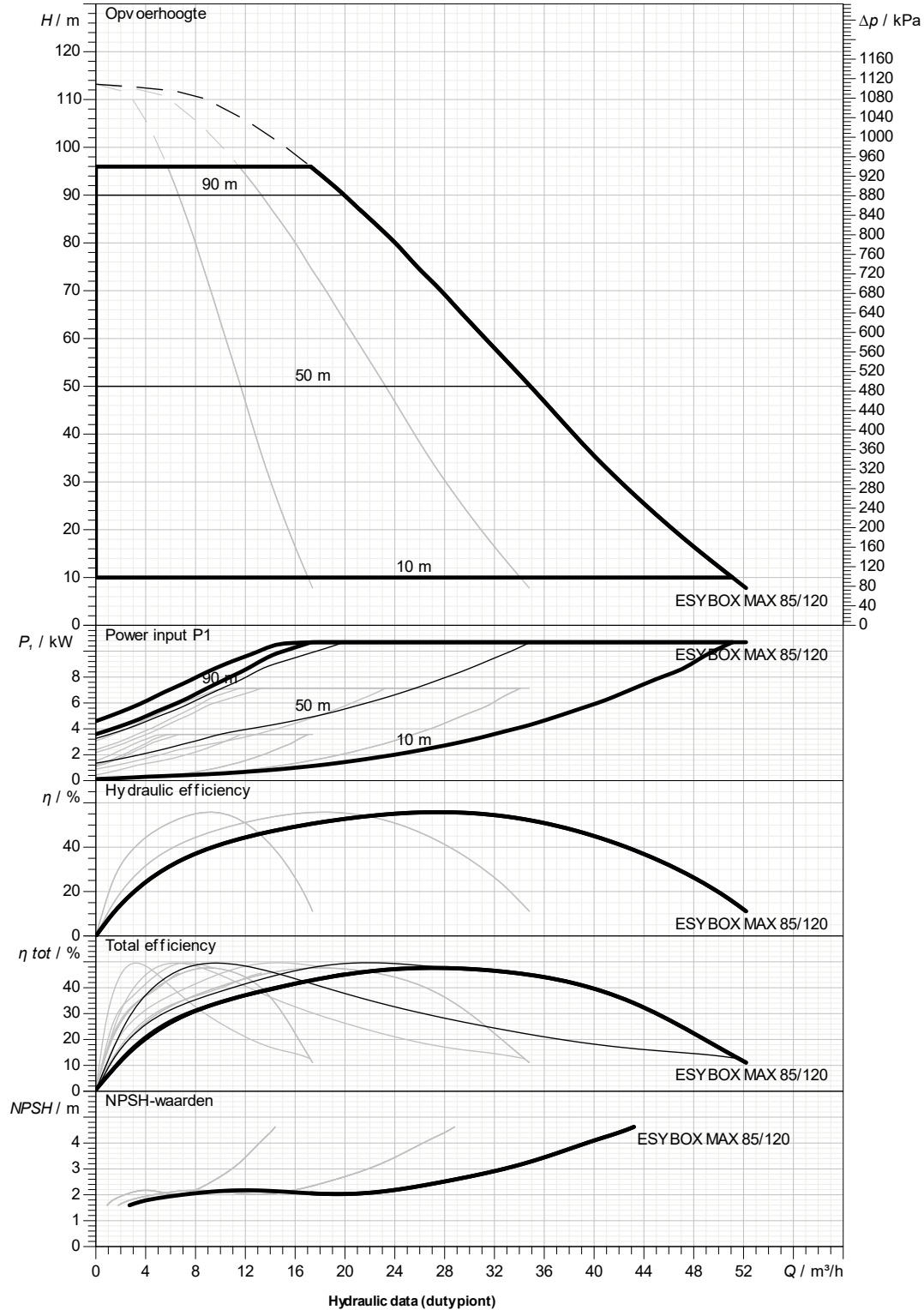
DAB PUMPS S.p.A.  
Via Marco Polo, 14 - 35035 Mestrino (PD), Italy  
Tel. +39 049 5125000 - Fax +39 049 5125950  
www.dabpumps.com

Receiver

Company  
Reference  
Address  
Phone  
Fax  
E-mail

## 3 EsyBox Max 85/120 GAS 3x380-480 50/60 DW

Curve tolerance according to ISO 9906



Suction side  
2" G  
1200 kPa

Discharge side  
2" G  
1200 kPa

Flow :

Head :

Rated speed:  
5350 1/min

Project

Projectnummer

Aangemaakt door:

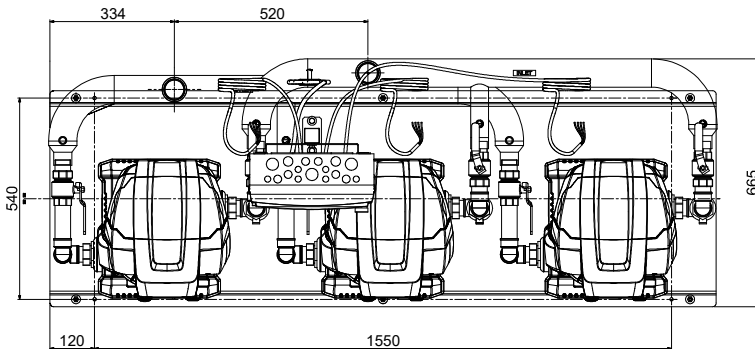
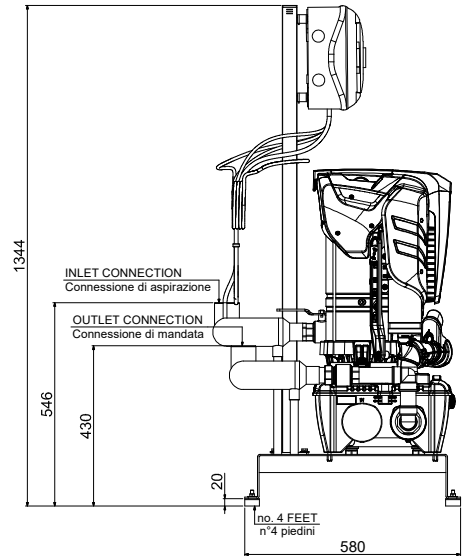
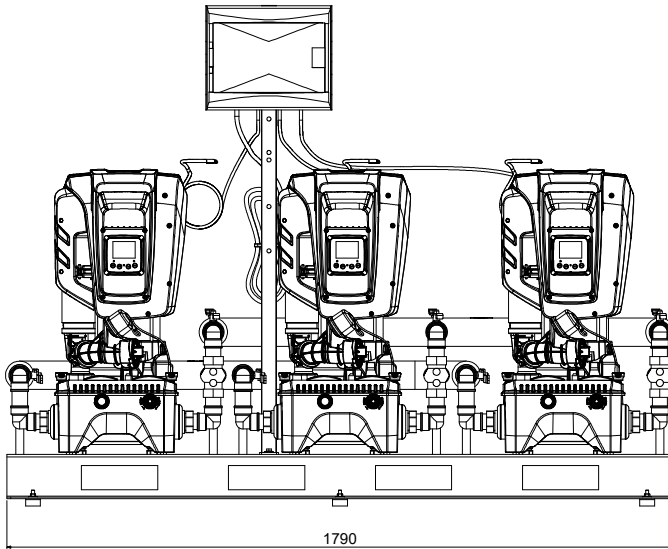
Aangemaakt op

27.05.2026

Receiver

Company  
Reference  
Address  
Phone  
Fax  
E-mail

## 3 EsyBox Max 85/120 GAS 3x380-480 50/60 DW



\*Without the pillar kit and panel, do not consider the H4

Dimensions in mm			Pump connection			
1	DNA	2"				Suction 2" G 12 bar (1200 KPa)
2	DNM	2"				
3						
4						
5						
6						
7						Discharge 2" G 12 bar (1200 KPa)
8						
9						
10						
11						
12						

MAIN_PROJECT_TITLE	BUSINESS_PROCESS_ID	OWNER_	ISSUE_DATE <b>27.05.2026</b>
--------------------	---------------------	--------	---------------------------------