

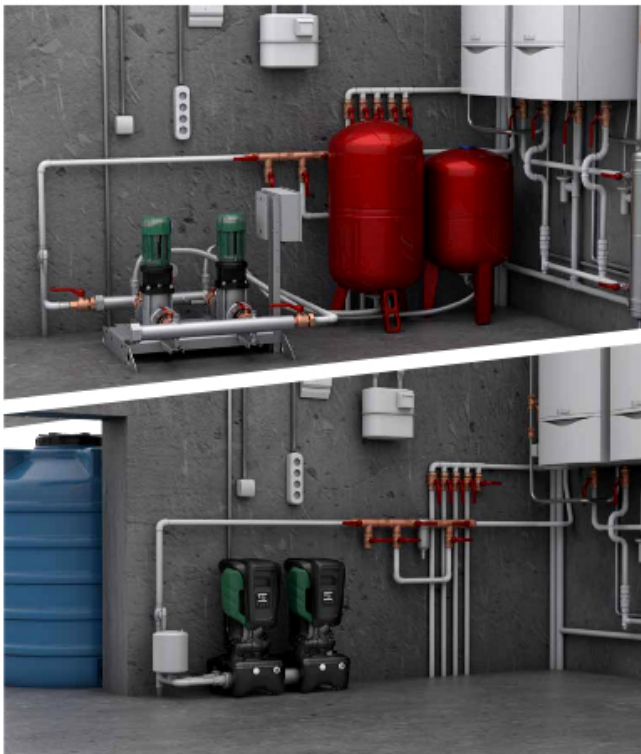


# ENERGY SAVING

BEFORE

AFTER

- 20%  
Compared with  
traditional inverter pump



**D+CONNECT**  
BUILT-IN



As quick as a "click"





# PERFORMANCE CURVES

27.05.2026

Pagina 3 / 4

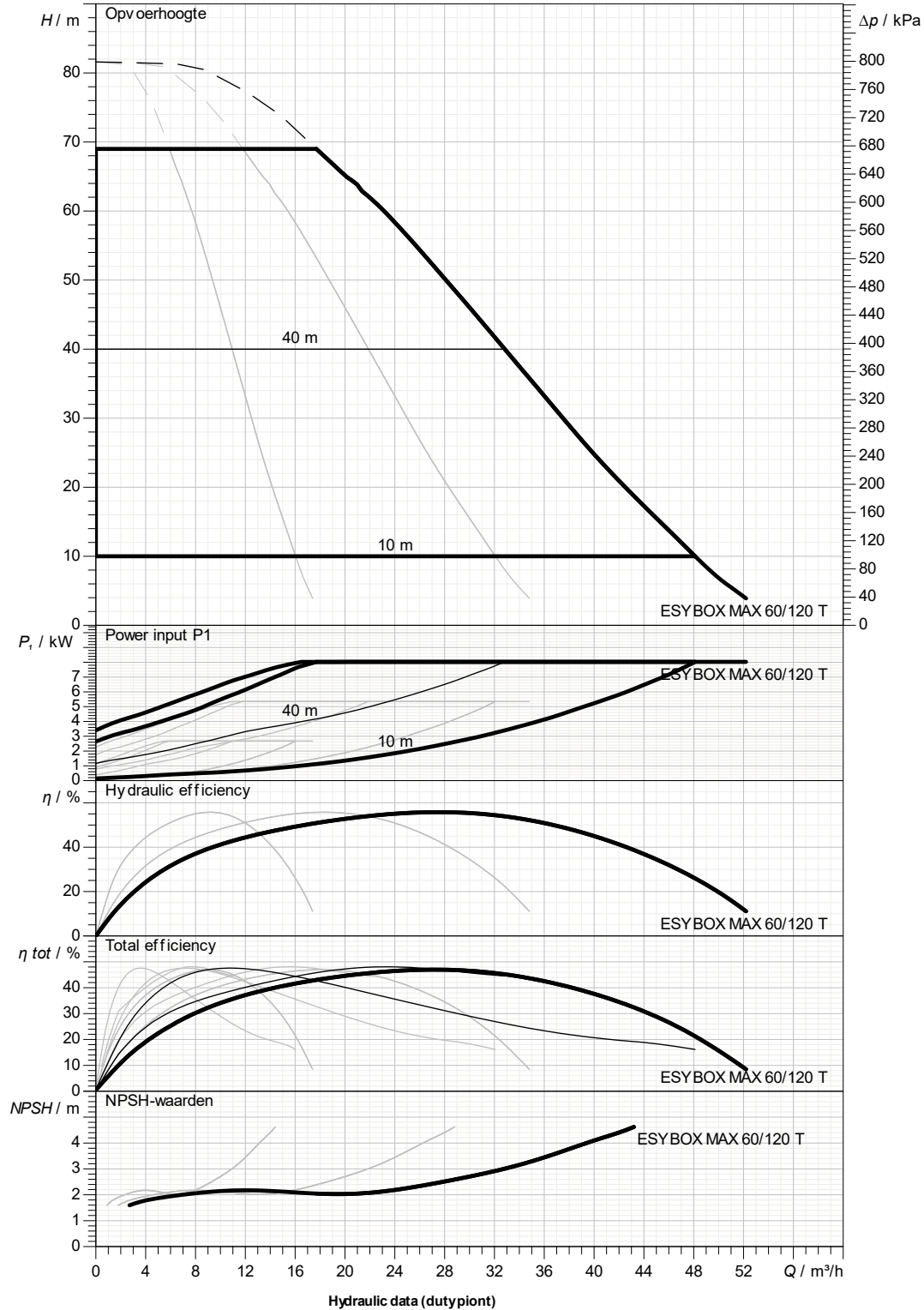
DAB PUMPS S.p.A.  
Via Marco Polo, 14 - 35035 Mestrino (PD), Italy  
Tel. +39 049 5125000 - Fax +39 049 5125950  
www.dabpumps.com

Receiver

Company  
Reference  
Address  
Phone  
Fax  
E-mail

## 3 EsyBox Max 60/120 GAS 3x380-480 50/60 DW

Curve tolerance according to ISO 9906

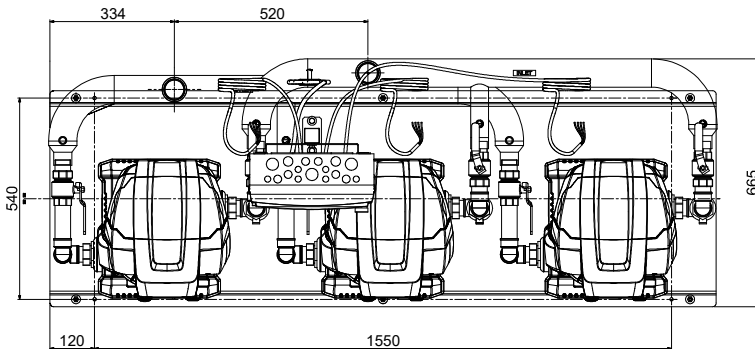
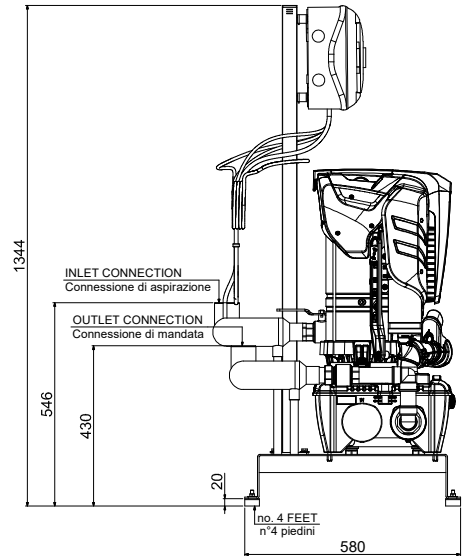
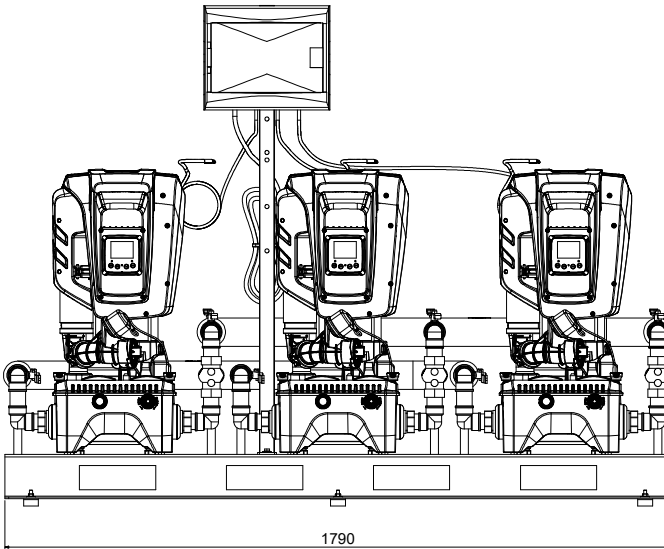


Suction side 2" G 1200 kPa	Discharge side 2" G 1200 kPa	Flow :	Head :	Rated speed: 5240 1/min
Project	Projectnummer	Aangemaakt door:	Aangemaakt op <b>27.05.2026</b>	

Receiver

Company  
Reference  
Address  
Phone  
Fax  
E-mail

## 3 EsyBox Max 60/120 GAS 3x380-480 50/60 DW



\*Without the pillar kit and panel, do not consider the H4

Dimensions in mm			Pump connection			
1	DNA	2"				Suction 2" G 12 bar (1200 KPa)
2	DNM	2"				
3						
4						Discharge 2" G 12 bar (1200 KPa)
5						
6						
7						
8						
9						
10						
11						
12						

MAIN_PROJECT_TITLE	BUSINESS_PROCESS_ID	OWNER_	ISSUE_DATE <b>27.05.2026</b>
--------------------	---------------------	--------	---------------------------------