

Receiver

Company
Reference
Address
Phone
Fax
E-mail

Item no. Customer pos. no.:

60220467
Model:

2 Esy Box Max 60/120 GAS 1x208-240 50/60 DW

Pump data

Pressure rating : 1200 kPa
Constant pressure range : 100 - 1200 kPa (300 kPa by default)
Min. fluid temperature : 0 °C
Max. fluid temperature : 50 °C
Max. Temperature operating : 55 °C

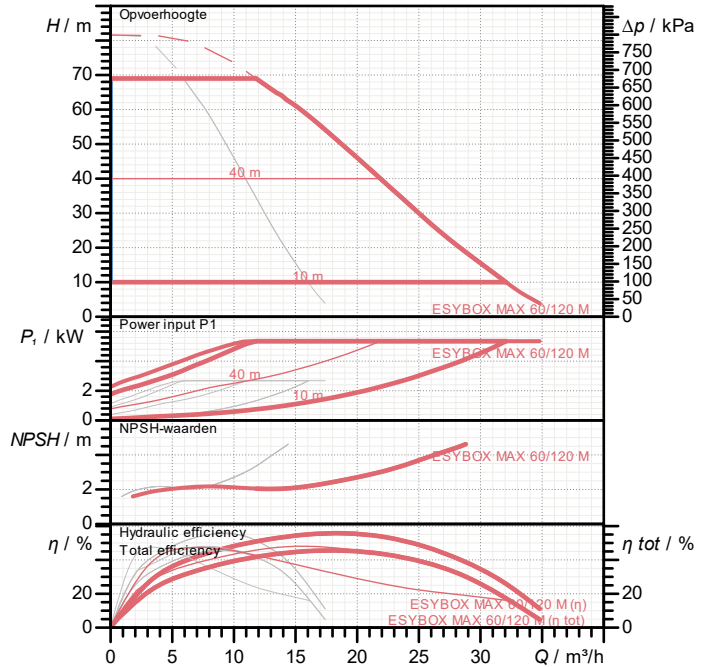
Requested data

Flow :
Head :
Fluid : Water
Fluid Temperature : 20 °C
Density : 998.3 kg/m³
Kinematic viscosity : 1.005 mm²/s
Dampspanning : 2.34 kPa

Materials

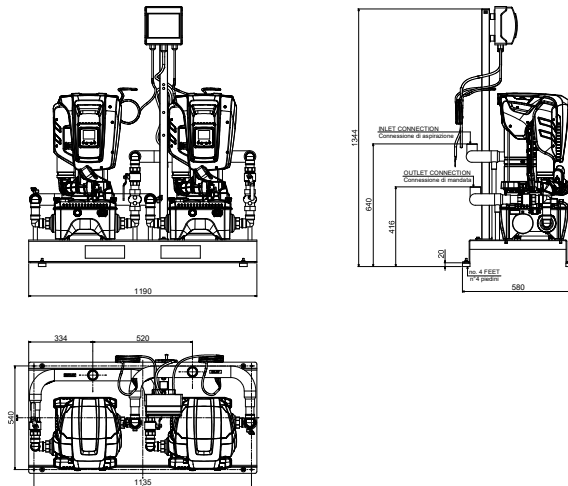
Fitting	Technopolymer PA66 30%GF
Manifold	Stainless Steel AISI 304
Flange	Technopolymer PA66 30%GF
Pump body	Technopolymer PA66 30%GF
Pump body ring	Technopolymer PP 30%GF
Impeller	Technopolymer PP 30%GF/AISI 304
Diffuser	Technopolymer PP 30%GF/AISI 304
Motor axis	Stainless Steel AISI 303
O-Ring	EPDM
Motor flange	Technopolymer PA66 30%GF
Mechanical seal	Impregnated carbon-resin/Silicon carbide/EPDM
Motor liner	Stainless Steel AISI 304
Motorhuis	Technopolymer PA66 30%GF
Conveyor tube	Technopolymer PP 30%GF
Pressure sensor	Nylon/EPDM
Non-return valve	POM/EPDM/AISI 302
Non-return valve body	Technopolymer PA66 30%GF
Tank	Noryl/Rubber
Delivery body	Technopolymer PA66 30%GF
Outer liner	Stainless Steel AISI 304

Curve tolerance according to ISO 9906



Hydraulic data (duty point)

Flow :
Head :



*Without the pillar kit and panel, do not consider the H4

Dimension mm

DNA	1" 1/2						
DNM	1" 1/2						

Gewicht: 0 kg

Pump connection

Suction side 1" 1/2 G / 1200 kPa
Discharge side 1" 1/2 G / 1200 kPa

Motor data

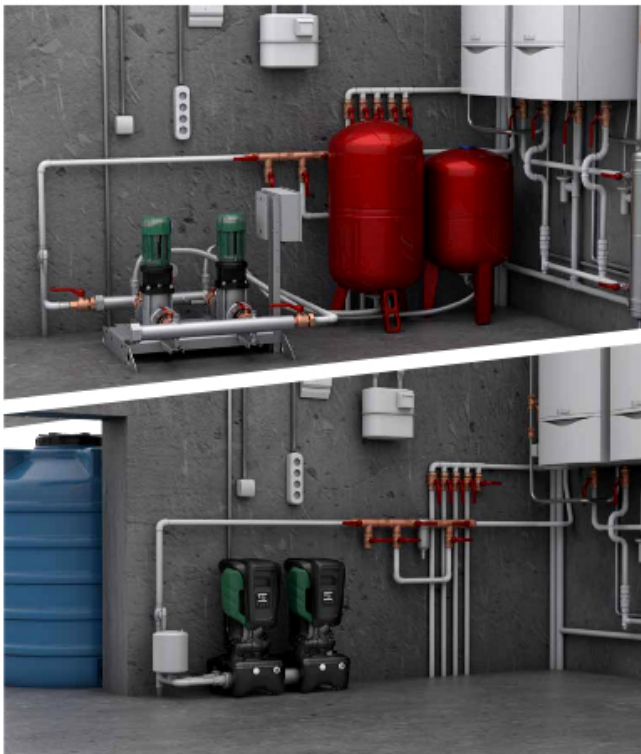
Max. Power input P1 : 2 x 2.68 kW
Maximum speed : 5240 1/min
Rated voltage : 1~ 208-240 V 50 Hz
Nominal current : 2 x 11.7 A
Degree of protection : IP X5

ENERGY SAVING

BEFORE

AFTER

- 20%
Compared with
traditional inverter pump



D+CONNECT
BUILT-IN



As quick as a "click"





PERFORMANCE CURVES

27.05.2026

Pagina 3 / 4

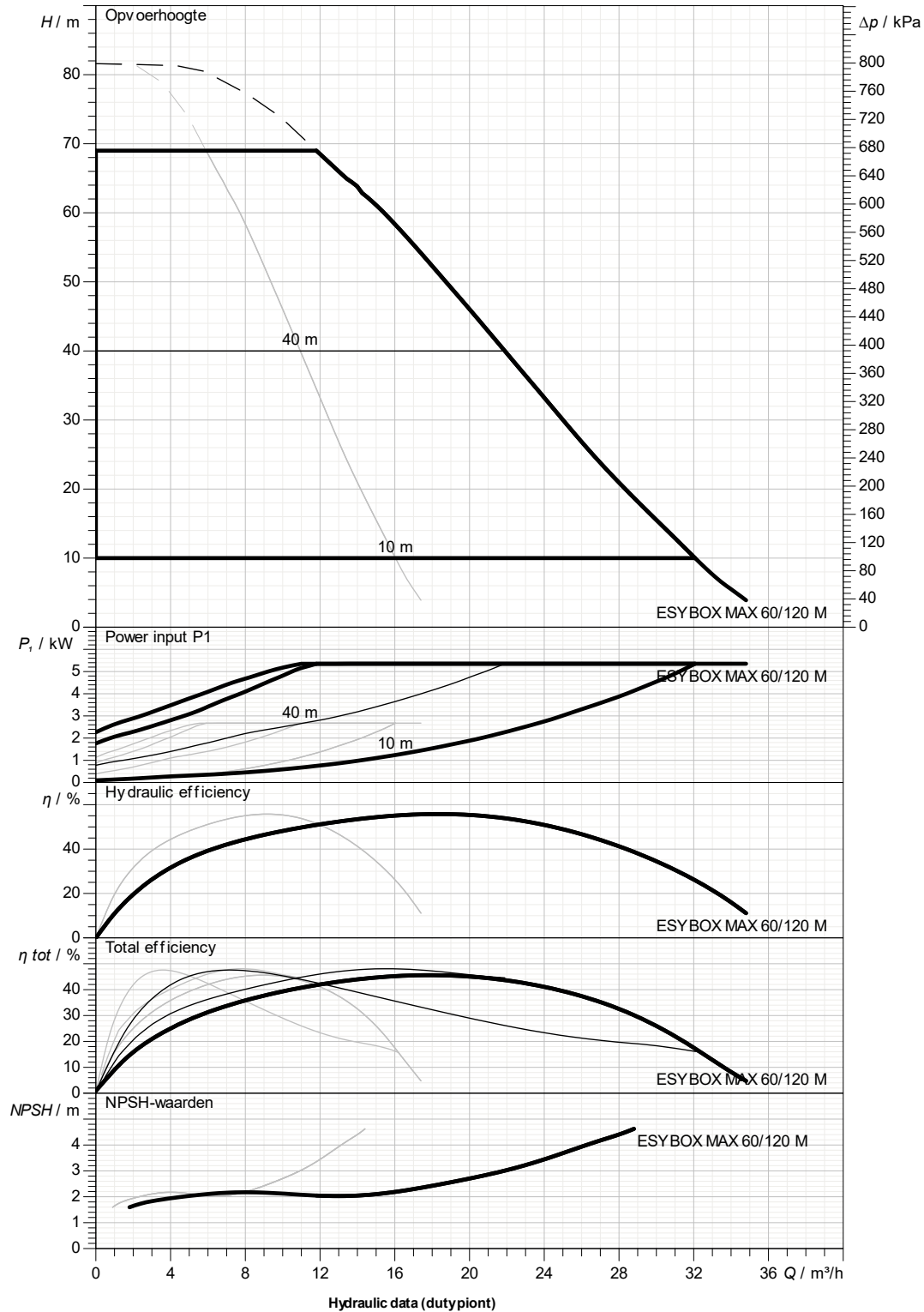
DAB PUMPS S.p.A.
Via Marco Polo, 14 - 35035 Mestrino (PD), Italy
Tel. +39 049 5125000 - Fax +39 049 5125950
www.dabpumps.com

Receiver

Company
Reference
Address
Phone
Fax
E-mail

2 EsyBox Max 60/120 GAS 1x208-240 50/60 DW

Curve tolerance according to ISO 9906



Suction side
1" 1/2 G
1200 kPa

Discharge side
1" 1/2 G
1200 kPa

Flow :

Head :

Rated speed:
5240 1/min

Project

Projectnummer

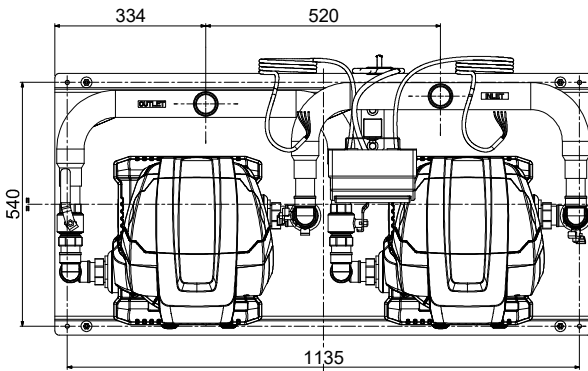
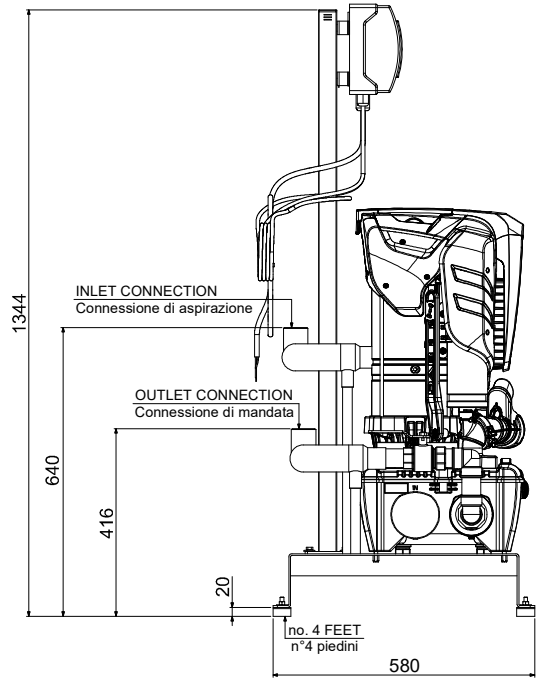
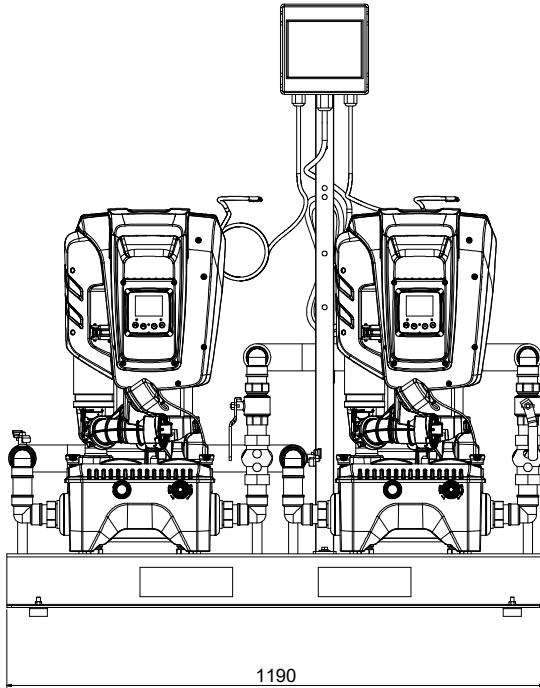
Aangemaakt door:

Aangemaakt op
27.05.2026

Receiver

Company
Reference
Address
Phone
Fax
E-mail

2 EsyBox Max 60/120 GAS 1x208-240 50/60 DW



*Without the pillar kit and panel, do not consider the H4

Dimensions in mm					Pump connection
1	DNA	1"1/2			Suction 1" 1/2 G 12 bar (1200 KPa) Discharge 1" 1/2 G 12 bar (1200 KPa)
2	DNM	1"1/2			
3					
4					
5					
6					
7					
8					
9					
10					
11					
12					

MAIN_PROJECT_TITLE	BUSINESS_PROCESS_ID	OWNER_	ISSUE_DATE 27.05.2026
--------------------	---------------------	--------	---------------------------------