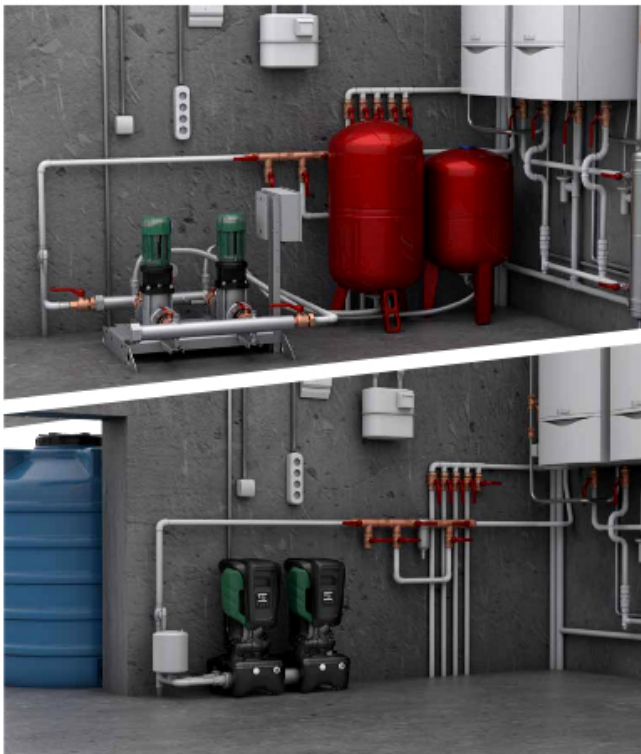


ENERGY SAVING

BEFORE

AFTER

- **20%**
Compared with
traditional inverter pump



D+CONNECT
BUILT-IN



As quick as a "click"

OSA
ON SITE ASSEMBLY





PERFORMANCE CURVES

27.05.2026

Pagina 3 / 4

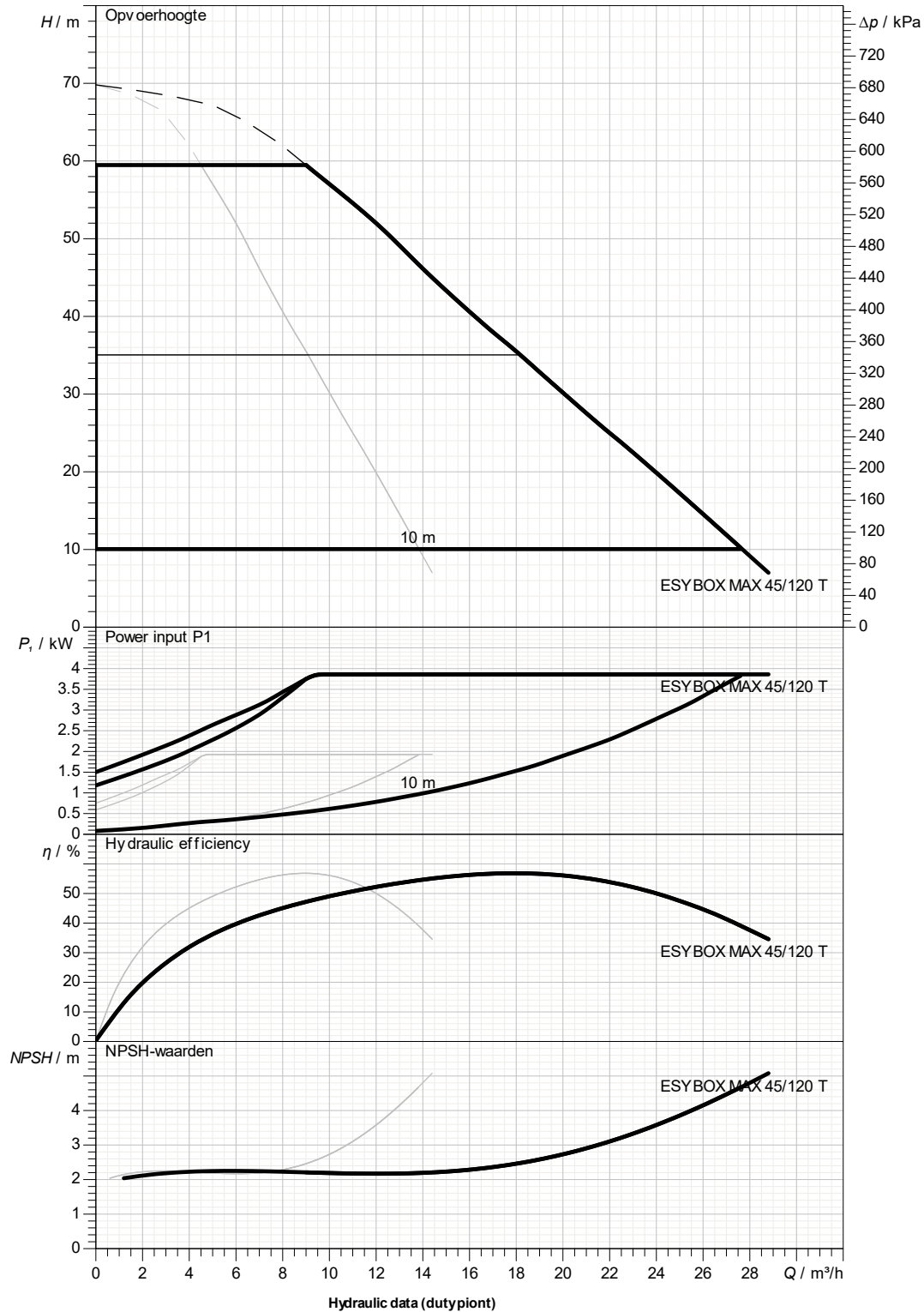
DAB PUMPS S.p.A.
Via Marco Polo, 14 - 35035 Mestrino (PD), Italy
Tel. +39 049 5125000 - Fax +39 049 5125950
www.dabpumps.com

Receiver

Company
Reference
Address
Phone
Fax
E-mail

2 EsyBox Max 45/120 GAS 3x380-480 50/60 DW

Curve tolerance according to ISO 9906



Suction side
1" 1/2 G
1200 kPa

Discharge side
1" 1/2 G
1200 kPa

Flow :

Head :

Rated speed:
5240 1/min

Project

Projectnummer

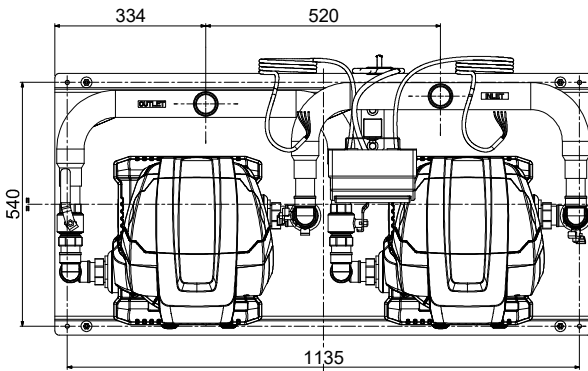
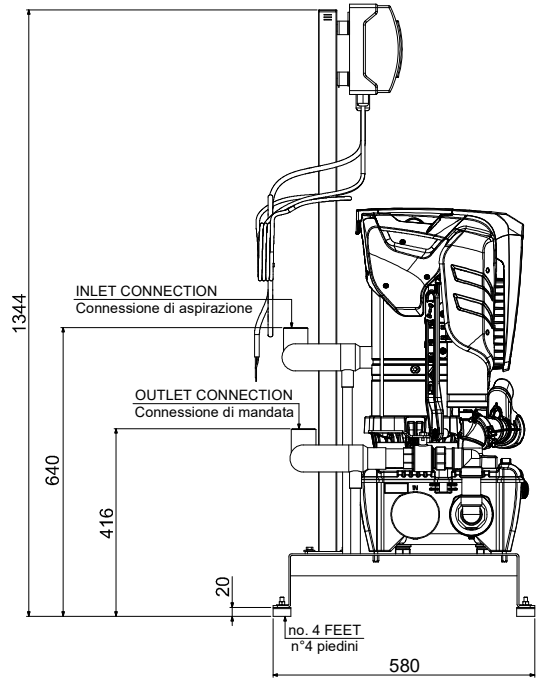
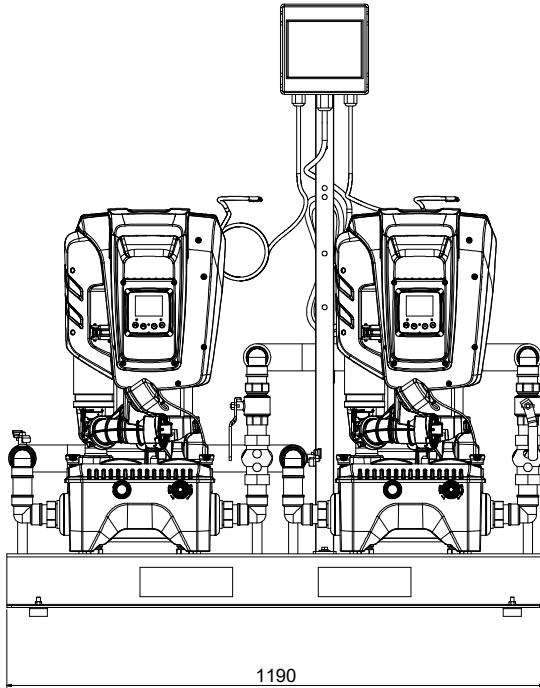
Aangemaakt door:

Aangemaakt op
27.05.2026

Receiver

Company
Reference
Address
Phone
Fax
E-mail

2 EsyBox Max 45/120 GAS 3x380-480 50/60 DW



*Without the pillar kit and panel, do not consider the H4

Dimensions in mm					Pump connection
1	DNA	1"1/2			Suction 1" 1/2 G 12 bar (1200 KPa) Discharge 1" 1/2 G 12 bar (1200 KPa)
2	DNM	1"1/2			
3					
4					
5					
6					
7					
8					
9					
10					
11					
12					

MAIN_PROJECT_TITLE	BUSINESS_PROCESS_ID	OWNER_	ISSUE_DATE 27.05.2026
--------------------	---------------------	--------	---------------------------------