

**Receiver**

**From**

Company  
Reference  
Address  
Phone  
Fax  
E-mail

**Item no.**                                  **Customer pos. no.:**  
  
60218694  
  
**Model:**  
KIT 2 ESYBOX + ESYTWIN - DW

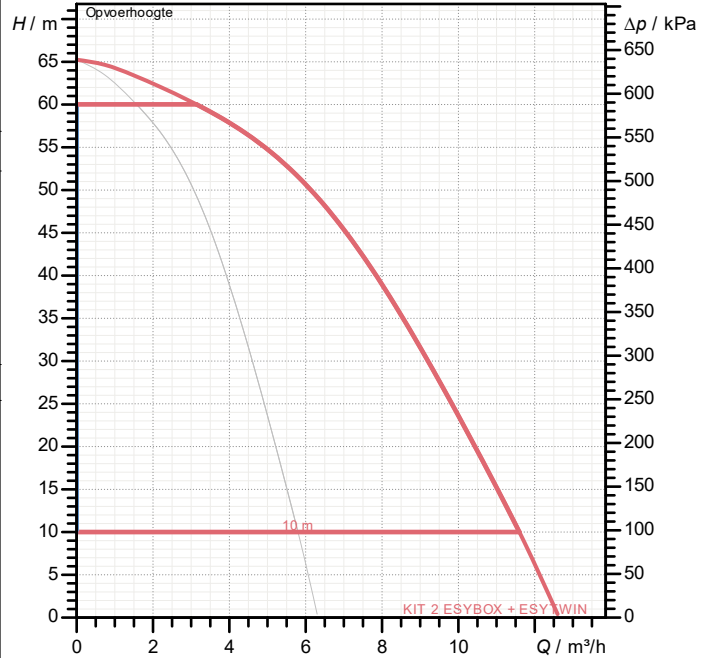
**Pump data**

Pressure rating :                                  800 kPa  
SETTABLE CONSTANT PRESSURE FROM 100 TO 600 kPa  
Min. fluid temperature :                                  0 °C  
Max. fluid temperature :                                  40 °C  
Max. Temperature operating :                                  50 °C

**Requested data**

Flow :  
Head :  
Fluid :                                  Water  
Fluid Temperature :                                  20 °C  
Density :                                  998.3 kg/m³  
Kinematische viscositeit :                                  1.005 mm²/s  
Dampspanning :                                  2.34 kPa

**Curve tolerance according to ISO 9906**

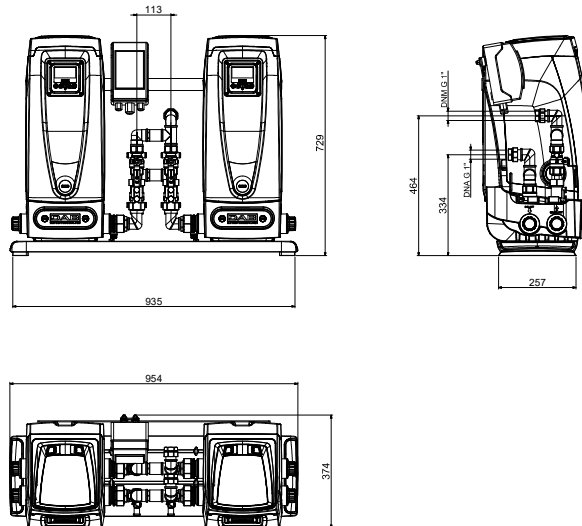


**Materials**

Motor flange                                  Technopolymer  
Rotor shaft                                  Stainless Steel AISI 303  
Motor liner                                  Stainless Steel AISI 304  
O-Ring                                  NBR  
Mechanical seal                                  Impregnated carbon-resin/Silicon carbide/EPDM  
Plugs                                  Technopolymer  
Suction case                                  Technopolymer  
Insert                                  Brass nickel coated  
Shutter                                  Technopolymer  
Spring                                  AISI 303  
Diffuser                                  Technopolymer  
Diffuser body                                  Technopolymer  
Impeller                                  Technopolymer  
Wear ring                                  Stainless Steel AISI 316  
Nut                                  Stainless Steel AISI 316  
Diffuser plug                                  Technopolymer  
Sintered plate                                  Stainless Steel AISI 304  
Pump body                                  Technopolymer  
Discharge section                                  Technopolymer  
Flow switch body                                  Technopolymer  
Discharge manifold                                  Technopolymer  
Non-return valve                                  Technopolymer/Rubber/Steel  
Tank                                  Technopolymer/Rubber  
Pressure sensor body                                  Technopolymer

**Hydraulic data (duty point)**

Flow :  
Head :



**Dimension                                  mm**

DNA	1" G						
DNM	1" G						

**Gewicht:**                                  0 kg

**Pump connection**

Suction side                                  1" G / 800 kPa  
Discharge side                                  1" G / 800 kPa

**Motor data**

Max. Power input P1 :                                  2 x 1.4 kW  
Rated speed :                                  3000 1/min  
Rated voltage :                                  1~ 220-240 V                                  50 Hz  
Nominal current :                                  2 x 10 A  
Degree of protection :                                  IP X4



WATER • TECHNOLOGY

# PERFORMANCE CURVES

2025-02-03

Pagina 2 / 3

DAB PUMPS S.p.A.  
Via Marco Polo, 14 - 35035 Mestrino (PD), Italy  
Tel. +39 049 5125000 - Fax +39 049 5125950  
www.dabpumps.com

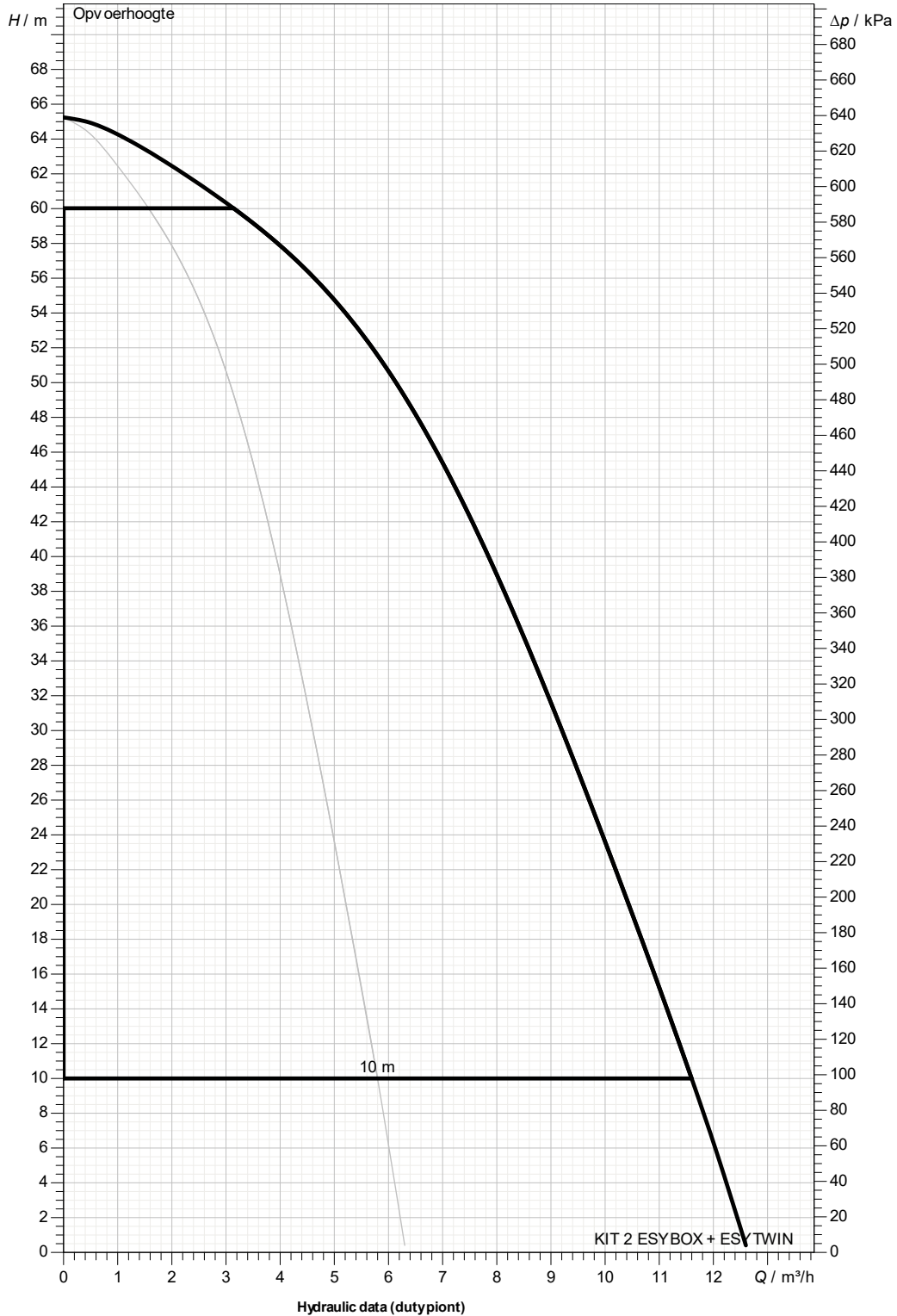
Receiver

From

Company  
Reference  
Address  
Phone  
Fax  
E-mail

## KIT 2 ESYBOX + ESYTWIN - DW

Curve tolerance according to ISO 9906



Suction side  
1" G  
800 kPa

Discharge side  
1" G  
800 kPa

Flow :

Head :

Rated speed:  
3000 1/min

MAIN\_PROJECT\_TITLE

BUSINESS\_PROCESS\_ID

OWNER\_

ISSUE\_DATE

2025-02-03



# DIMENSIONAL DRAWING

2025-02-03

Pagina 3 / 3

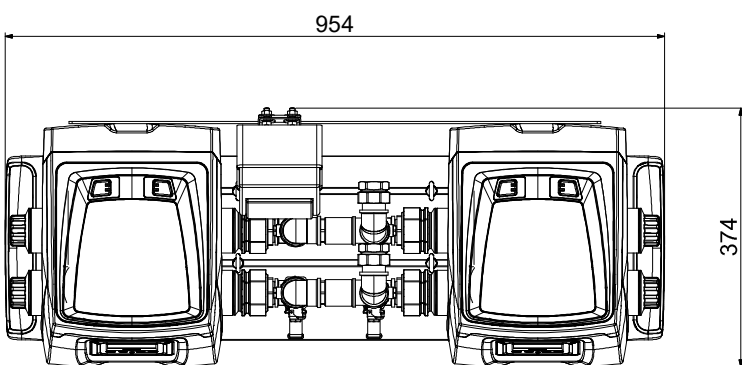
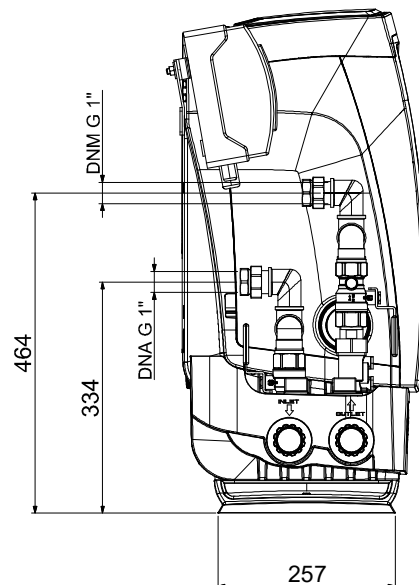
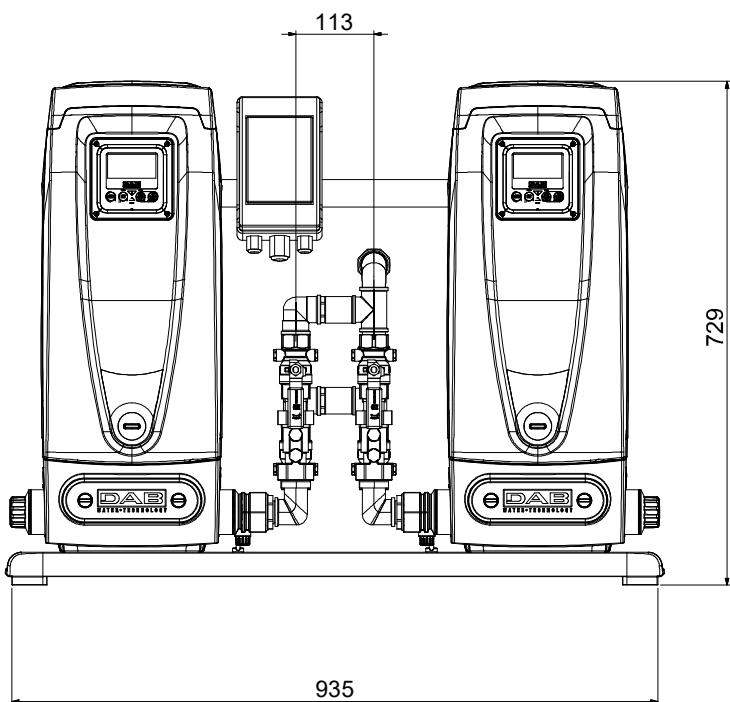
DAB PUMPS S.p.A.  
Via Marco Polo, 14 - 35035 Mestrino (PD), Italy  
Tel. +39 049 5125000 - Fax +39 049 5125950  
www.dabpumps.com

Receiver

From

Company  
Reference  
Address  
Phone  
Fax  
E-mail

## KIT 2 ESYBOX + ESYTWIN - DW



Dimensions in mm					Pump connection	
1	DNA	1" G				
2	DNM	1" G				Suction
3						1" G
4						800 kPa
5						
6						Discharge
7						1" G
8						800 kPa
9						
10						
11						
12						

MAIN_PROJECT_TITLE	BUSINESS_PROCESS_ID	OWNER_	ISSUE_DATE 2025-02-03
--------------------	---------------------	--------	--------------------------