

**Receiver**

**From**

Company  
Reference  
Address  
Phone  
Fax  
E-mail

**Item no. Customer pos. no.:**

60212677

**Model:**

ESYBOX - DW

**Pump data**

Pressure rating : 800 kPa  
SETTABLE CONSTANT PRESSURE FROM 100 TO 600 kPa  
Min. fluid temperature : 0 °C  
Max. fluid temperature : 40 °C  
Max. Temperature operating : 50 °C

**Requested data**

Flow :  
Head :  
Fluid : Water  
Fluid Temperature : 20 °C  
Density : 998.3 kg/m³  
Kinematic viscosity : 1.005 mm²/s  
Dampspanning : 2.34 kPa

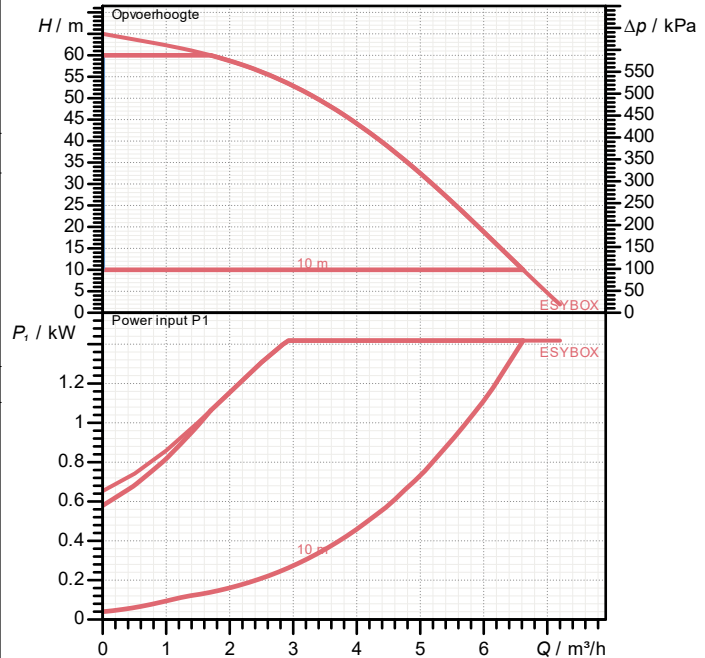
**Materials**

Motor flange	Technopolymer
Rotor shaft	Stainless Steel AISI 303
Motor liner	Stainless Steel AISI 304
O-Ring	NBR
Mechanical seal	Impregnated carbon-resin/Silicon carbide/EPDM
Plugs	Technopolymer
Suction case	Technopolymer
Insert	Brass nickel coated
Shutter	Technopolymer
Spring	AISI 303
Diffuser	Technopolymer
Diffuser body	Technopolymer
Impeller	Technopolymer
Wear ring	Stainless Steel AISI 316
Nut	Stainless Steel AISI 316
Diffuser plug	Technopolymer
Sintered plate	Stainless Steel AISI 304
Pump body	Technopolymer
Discharge section	Technopolymer
Flow switch body	Technopolymer
Discharge manifold	Technopolymer
Non-return valve	Technopolymer/Rubber/Steel
Tank	Technopolymer/Rubber
Pressure sensor body	Technopolymer

**Motor data**

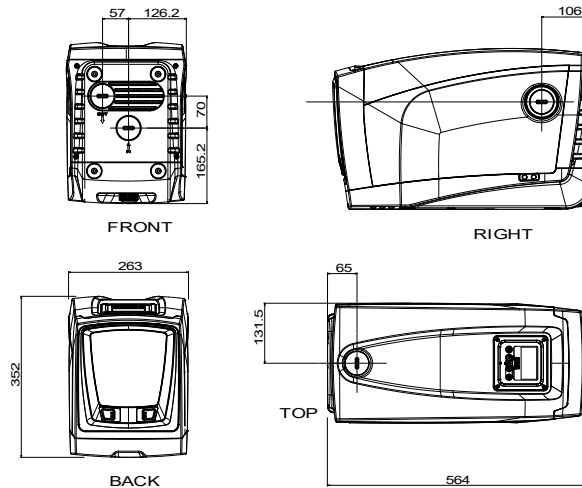
Max. Power input P1 : 1.4 kW  
Rated speed: 3000 1/min  
Rated voltage : 1~ 220-240 V 50 Hz  
Nominal current : 10 A  
Degree of protection : IP X4

**Curve tolerance according to ISO 9906**



**Hydraulic data (duty point)**

Flow :  
Head :



**Dimension mm**

--	--	--	--	--	--	--	--

**Gewicht:** 27 kg

**Pump connection**

Suction side 1" G / 800 kPa  
Discharge side 1" G / 800 kPa



WATER • TECHNOLOGY

# PERFORMANCE CURVES

2025-02-03

Pagina 2 / 3

DAB PUMPS S.p.A.  
Via Marco Polo, 14 - 35035 Mestrino (PD), Italy  
Tel. +39 049 5125000 - Fax +39 049 5125950  
www.dabpumps.com

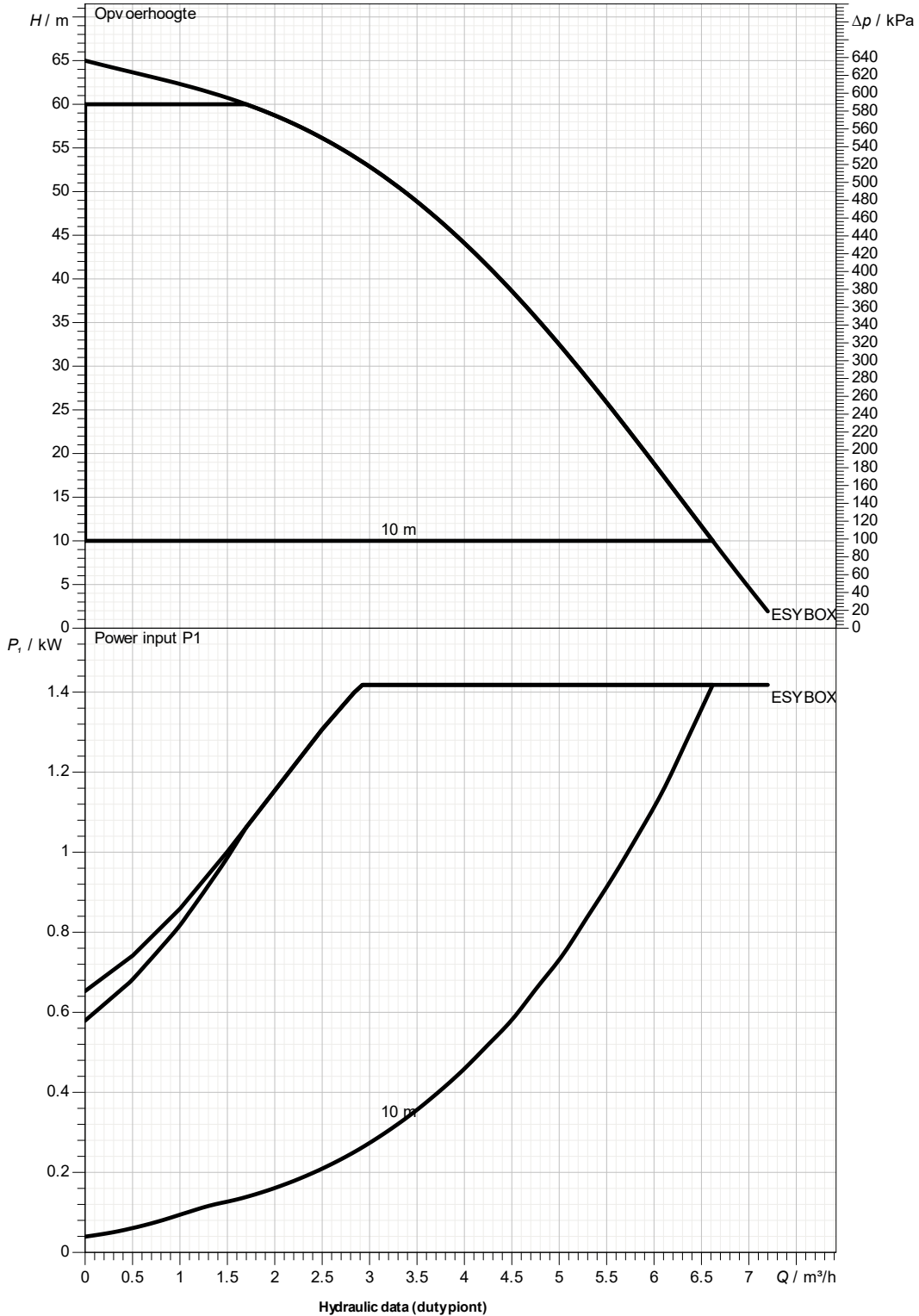
Receiver

From

Company  
Reference  
Address  
Phone  
Fax  
E-mail

## ESYBOX - DW

Curve tolerance according to ISO 9906



Suction side  
1" G  
800 kPa

Discharge side  
1" G  
800 kPa

Flow :

Head :

Rated speed:  
3000 1/min

MAIN\_PROJECT\_TITLE

BUSINESS\_PROCESS\_ID

OWNER\_

ISSUE\_DATE

2025-02-03



# DIMENSIONAL DRAWING

2025-02-03

Pagina 3 / 3

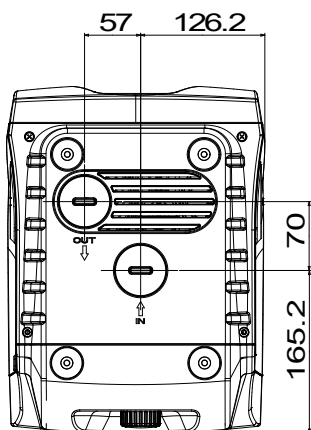
DAB PUMPS S.p.A.  
Via Marco Polo, 14 - 35035 Mestrino (PD), Italy  
Tel. +39 049 5125000 - Fax +39 049 5125950  
www.dabpumps.com

Receiver

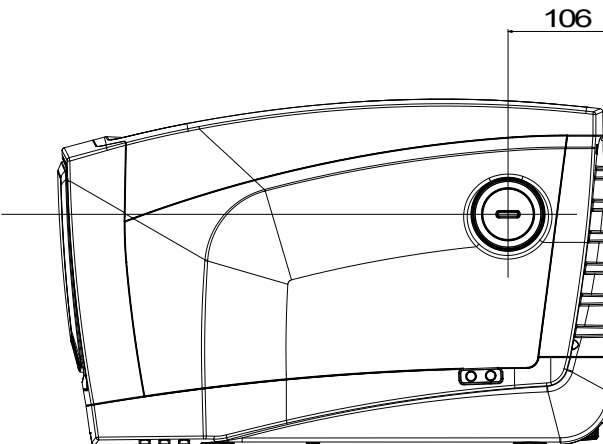
From

Company  
Reference  
Address  
Phone  
Fax  
E-mail

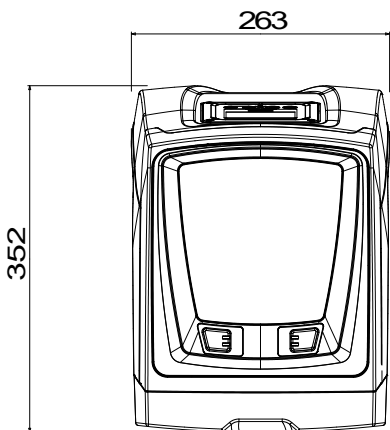
## ESYBOX - DW



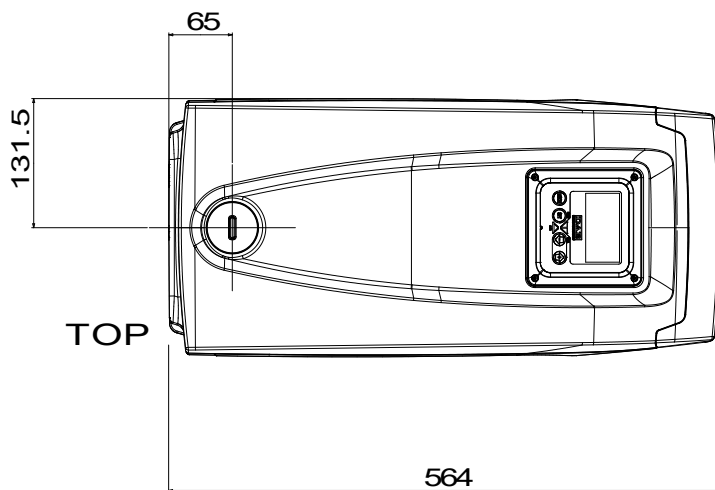
FRONT



RIGHT



BACK



TOP

Dimensions in mm						Pump connection
1						Suction
2						1" G
3						800 kPa
4						Discharge
5						1" G
6						800 kPa
7						
8						
9						
10						
11						
12						

MAIN_PROJECT_TITLE	BUSINESS_PROCESS_ID	OWNER_	ISSUE_DATE 2025-02-03
--------------------	---------------------	--------	--------------------------