

Receiver

From

Company
Reference
Address
Phone
Fax
E-mail

Item no. Customer pos. no.:

60199917

Model:

3 ESY BOX MAX 60/120 T DW

Pump data

Pressure rating : 1200 kPa
Constant pressure range : 100 - 1200 kPa (300 kPa by default)
Min. fluid temperature : 0 °C
Max. fluid temperature : 50 °C
Max. Temperature operating : 55 °C

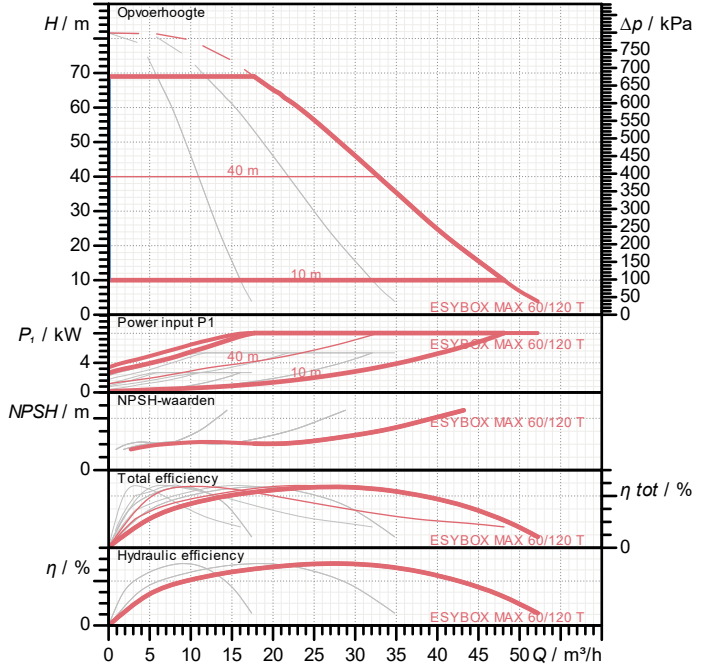
Requested data

Flow :
Head :
Fluid : Water
Fluid Temperature : 20 °C
Density : 998.3 kg/m³
Kinematic viscosity : 1.005 mm²/s
Dampspanning : 2.34 kPa

Materials

Fitting : Technopolymer PA66 30%GF
Manifold : Stainless Steel AISI 304
Flange : Technopolymer PA66 30%GF
Pump body : Technopolymer PA66 30%GF
Pump body ring : Technopolymer PP 30%GF
Impeller : Technopolymer PP 30%GF/AISI 304
Diffuser : Technopolymer PP 30%GF/AISI 304
Motor axis : Stainless Steel AISI 303
O-Ring : EPDM
Motor flange : Technopolymer PA66 30%GF
Mechanical seal : Impregnated carbon-resin/Silicon carbide/EPDM
Motor liner : Stainless Steel AISI 304
Motorhuis : Technopolymer PA66 30%GF
Conveyor tube : Technopolymer PP 30%GF
Pressure sensor : Nylon/EPDM
Non-return valve : POM/EPDM/AISI 302
Non-return valve body : Technopolymer PA66 30%GF
Tank : Noryl/Rubber
Delivery body : Technopolymer PA66 30%GF
Outer liner : Stainless Steel AISI 304

Curve tolerance according to ISO 9906

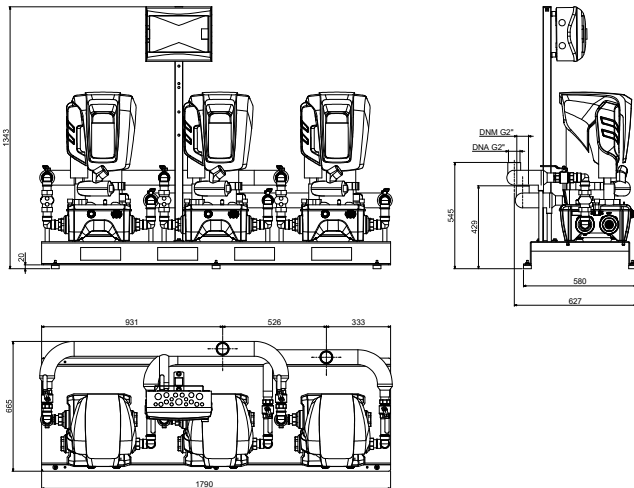


Motor data

Max. Power input P1 : 3 x 2.65 kW
Maximum speed : 5240 1/min
Rated voltage : 3~ 380-480 V 50 Hz
Nominal current : 3 x 4.4 A
Degree of protection : IP X5

Hydraulic data (duty point)

Flow :
Head :



*Without the pillar kit and panel, do not consider the H4

Dimension mm

| | | | | | | | |
|-----|----|--|--|--|--|--|--|
| DNA | 2" | | | | | | |
| DNM | 2" | | | | | | |

Gewicht: 0 kg

Pump connection

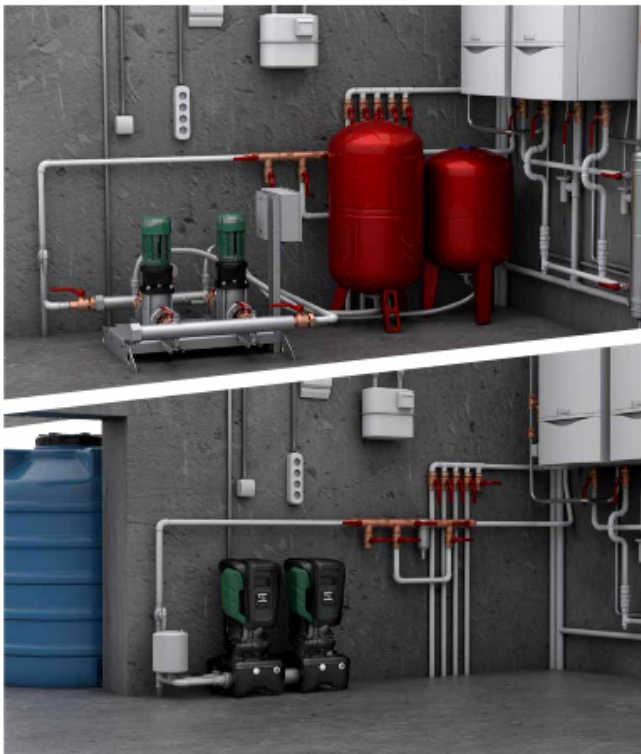
Suction side : 2" G / 1200 kPa
Discharge side : 2" G / 1200 kPa

ENERGY SAVING

BEFORE

AFTER

- **20%**
Compared with
traditional inverter pump



D+CONNECT
BUILT-IN



As quick as a "click"



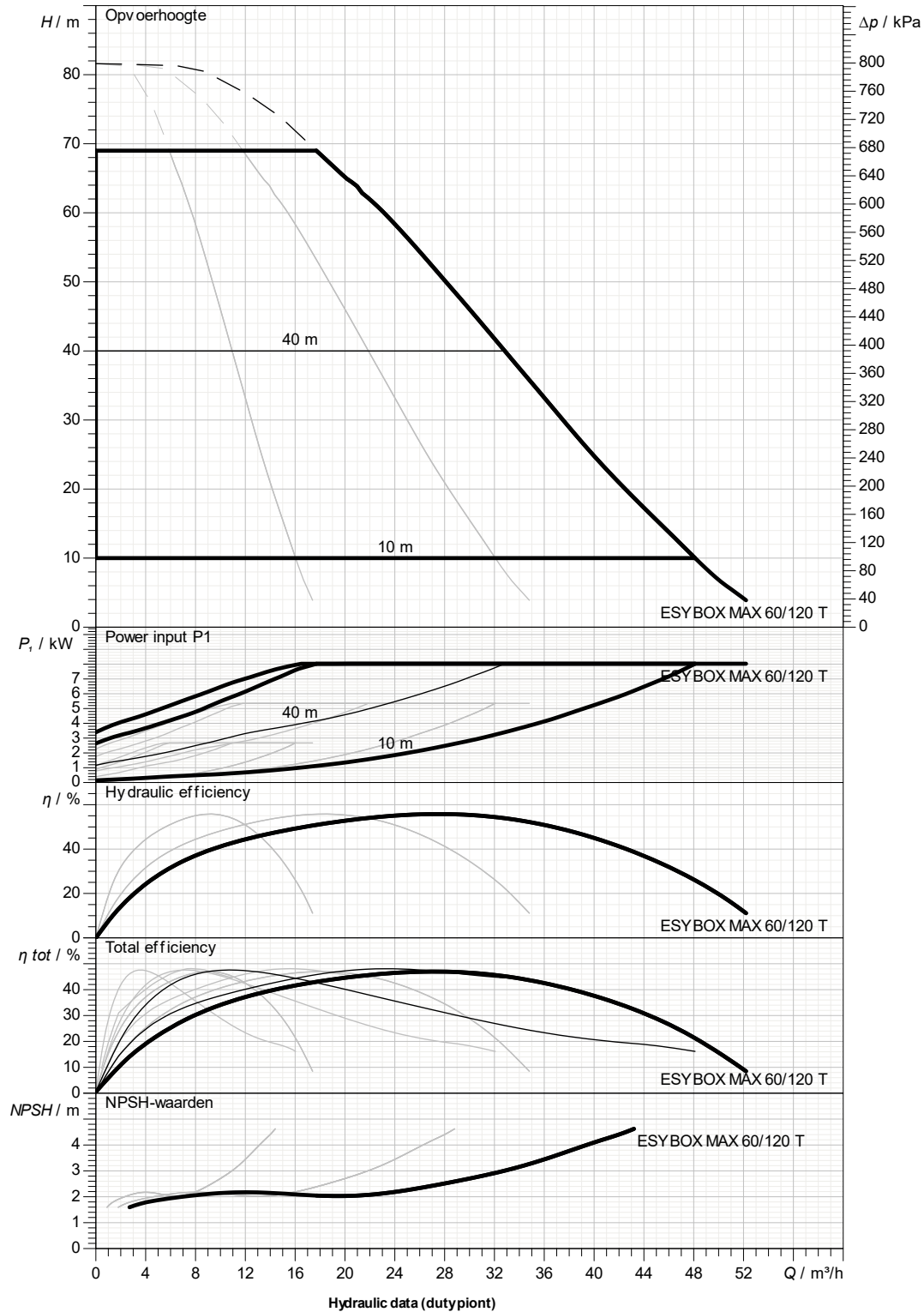
Receiver

From

 Company
 Reference
 Address
 Phone
 Fax
 E-mail

3 ESYBOX MAX 60/120 T DW

Curve tolerance according to ISO 9906


 Suction side
 2" G
 1200 kPa

 Discharge side
 2" G
 1200 kPa

Flow :

Head :

 Rated speed:
 5240 1/min

Project

Projectnummer

Aangemaakt door:

Aangemaakt op

2025-02-07



DIMENSIONAL DRAWING

2025-02-07

Pagina 4 / 4

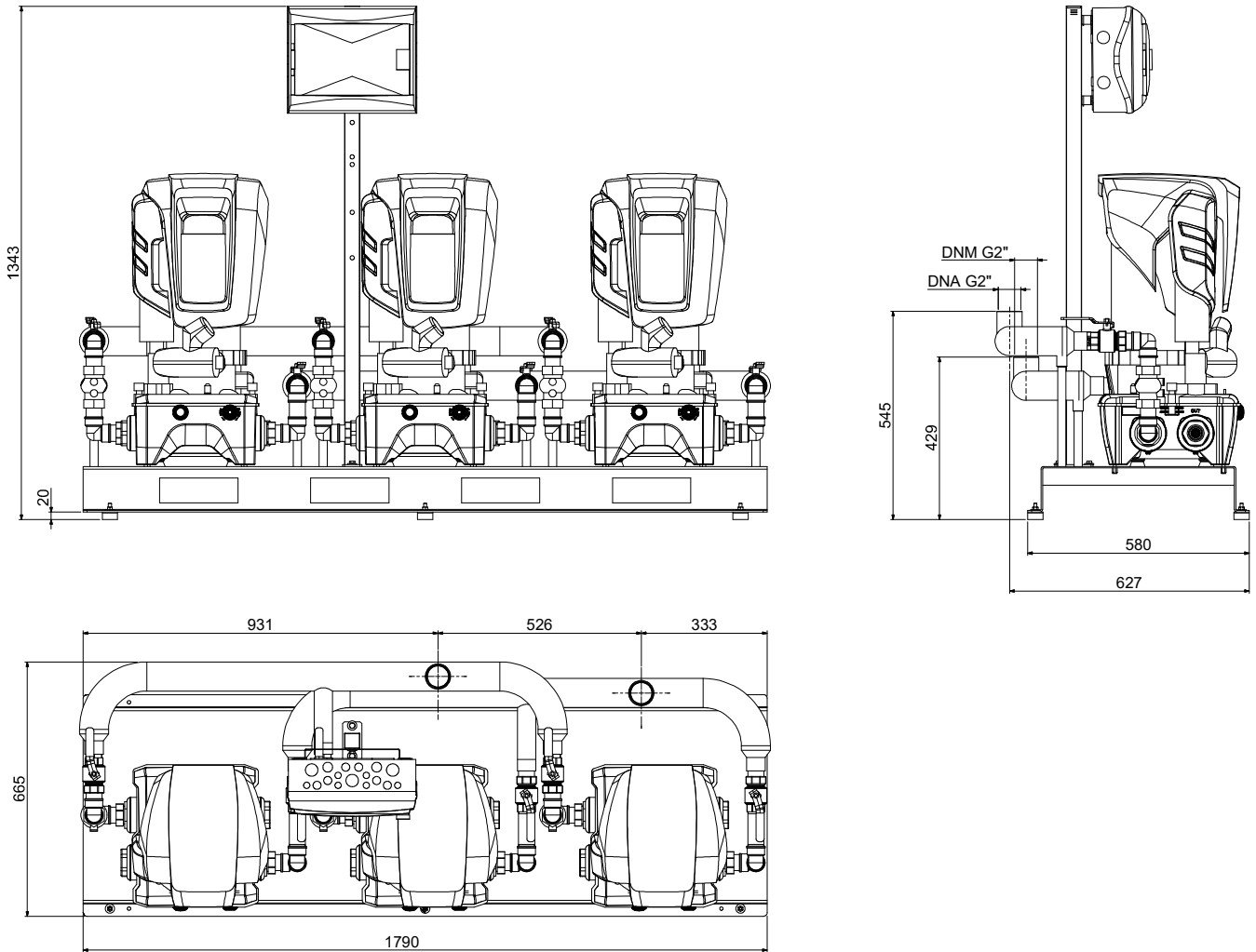
DAB PUMPS S.p.A.
Via Marco Polo, 14 - 35035 Mestrino (PD), Italy
Tel. +39 049 5125000 - Fax +39 049 5125950
www.dabpumps.com

Receiver

From

Company
Reference
Address
Phone
Fax
E-mail

3 ESYBOX MAX 60/120 T DW



*Without the pillar kit and panel, do not consider the H4

| Dimensions in mm | | | | Pump connection | |
|------------------|-----|----|--|-----------------|--|
| 1 | DNA | 2" | | | Suction 2" G 12 bar (1200 KPa) Discharge 2" G 12 bar (1200 KPa) |
| 2 | DNM | 2" | | | |
| 3 | | | | | |
| 4 | | | | | |
| 5 | | | | | |
| 6 | | | | | |
| 7 | | | | | |
| 8 | | | | | |
| 9 | | | | | |
| 10 | | | | | |
| 11 | | | | | |
| 12 | | | | | |

| | | | |
|--------------------|---------------------|--------|---------------------------------|
| MAIN_PROJECT_TITLE | BUSINESS_PROCESS_ID | OWNER_ | ISSUE_DATE 2025-02-07 |
|--------------------|---------------------|--------|---------------------------------|