

Receiver
From

 Company
 Reference
 Address
 Phone
 Fax
 E-mail

Item no. Customer pos. no.:

60199916

Model:

2 ESY BOX MAX 85/120 T DW

Pump data

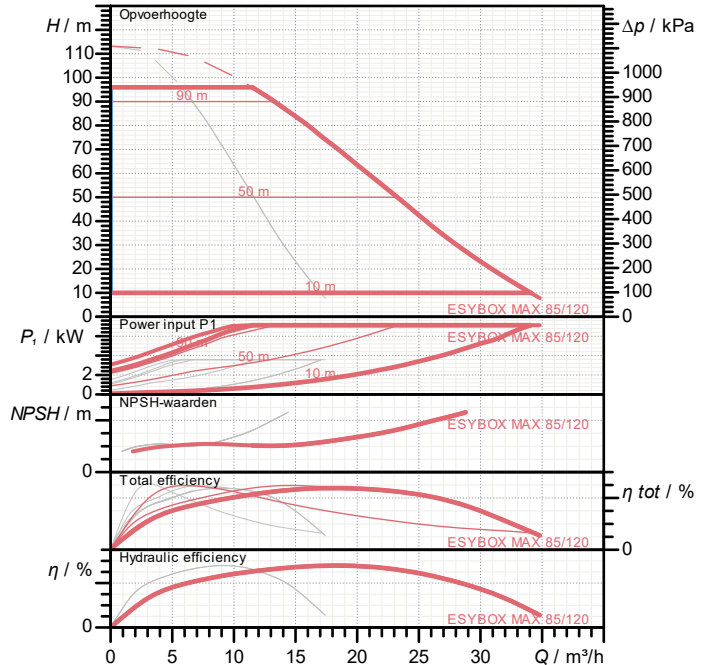
 Pressure rating : 1200 kPa
 Constant pressure range : 100 - 1200 kPa (300 kPa by default)
 Min. fluid temperature : 0 °C
 Max. fluid temperature : 50 °C
 Max. Temperature operating : 55 °C

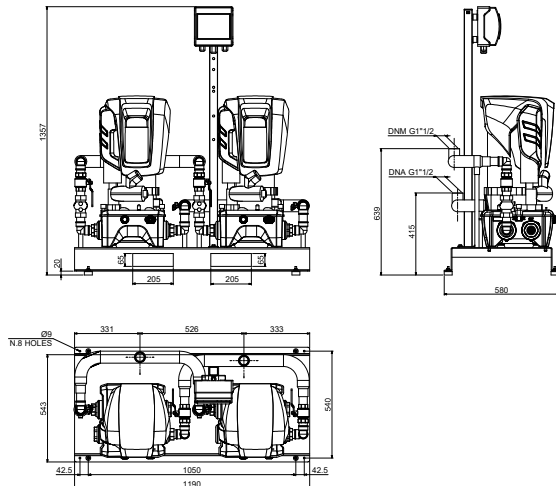
Requested data

 Flow :
 Head :
 Fluid : Water
 Fluid Temperature : 20 °C
 Density : 998.3 kg/m³
 Kinematische viscositeit : 1.005 mm²/s
 Dampspanning : 2.34 kPa

Materials

Fitting	Technopolymer PA66 30%GF
Manifold	Stainless Steel AISI 304
Flange	Technopolymer PA66 30%GF
Pump body	Technopolymer PA66 30%GF
Pump body ring	Technopolymer PP 30%GF
Impeller	Technopolymer PP 30%GF/AISI 304
Diffuser	Technopolymer PP 30%GF/AISI 304
Motor axis	Stainless Steel AISI 303
O-Ring	EPDM
Motor flange	Technopolymer PA66 30%GF
Mechanical seal	Impregnated carbon-resin/Silicon carbide/EPDM
Motor liner	Stainless Steel AISI 304
Motorhuis	Technopolymer PA66 30%GF
Conveyor tube	Technopolymer PP 30%GF
Pressure sensor	Nylon/EPDM
Non-return valve	POM/EPDM/AISI 302
Non-return valve body	Technopolymer PA66 30%GF
Tank	Noryl/Rubber
Delivery body	Technopolymer PA66 30%GF
Outer liner	Stainless Steel AISI 304

Curve tolerance according to ISO 9906

Hydraulic data (duty point)

 Flow :
 Head :


*Without the pillar kit and panel, do not consider the H4

Dimension mm

DNA	1" 1/2						
DNM	1" 1/2						

Gewicht: 0 kg

Pump connection

 Suction side 1" 1/2 G / 1200 kPa
 Discharge side 1" 1/2 G / 1200 kPa

Motor data

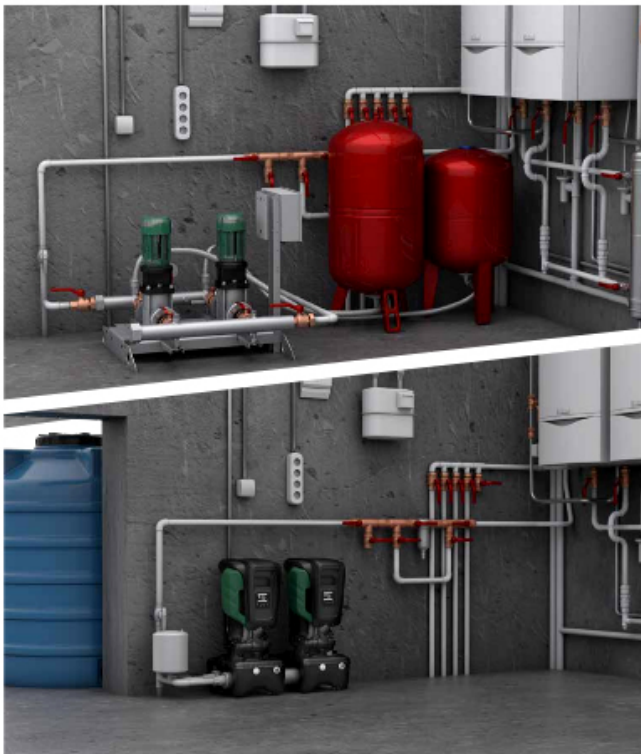
 Max. Power input P₁ : 2 x 3.5 kW
 Maximum speed : 5350 1/min
 Rated voltage : 3~ 380-480 V 50 Hz
 Nominal current : 2 x 5.5 A
 Degree of protection : IP X5

ENERGY SAVING

BEFORE

AFTER

- 20%
Compared with
traditional inverter pump



D+CONNECT
BUILT-IN



As quick as a "click"

OSA
ON SITE ASSEMBLY





PERFORMANCE CURVES

2025-02-07

Pagina 3 / 4

DAB PUMPS S.p.A.
Via Marco Polo, 14 - 35035 Mestrino (PD), Italy
Tel. +39 049 5125000 - Fax +39 049 5125950
www.dabpumps.com

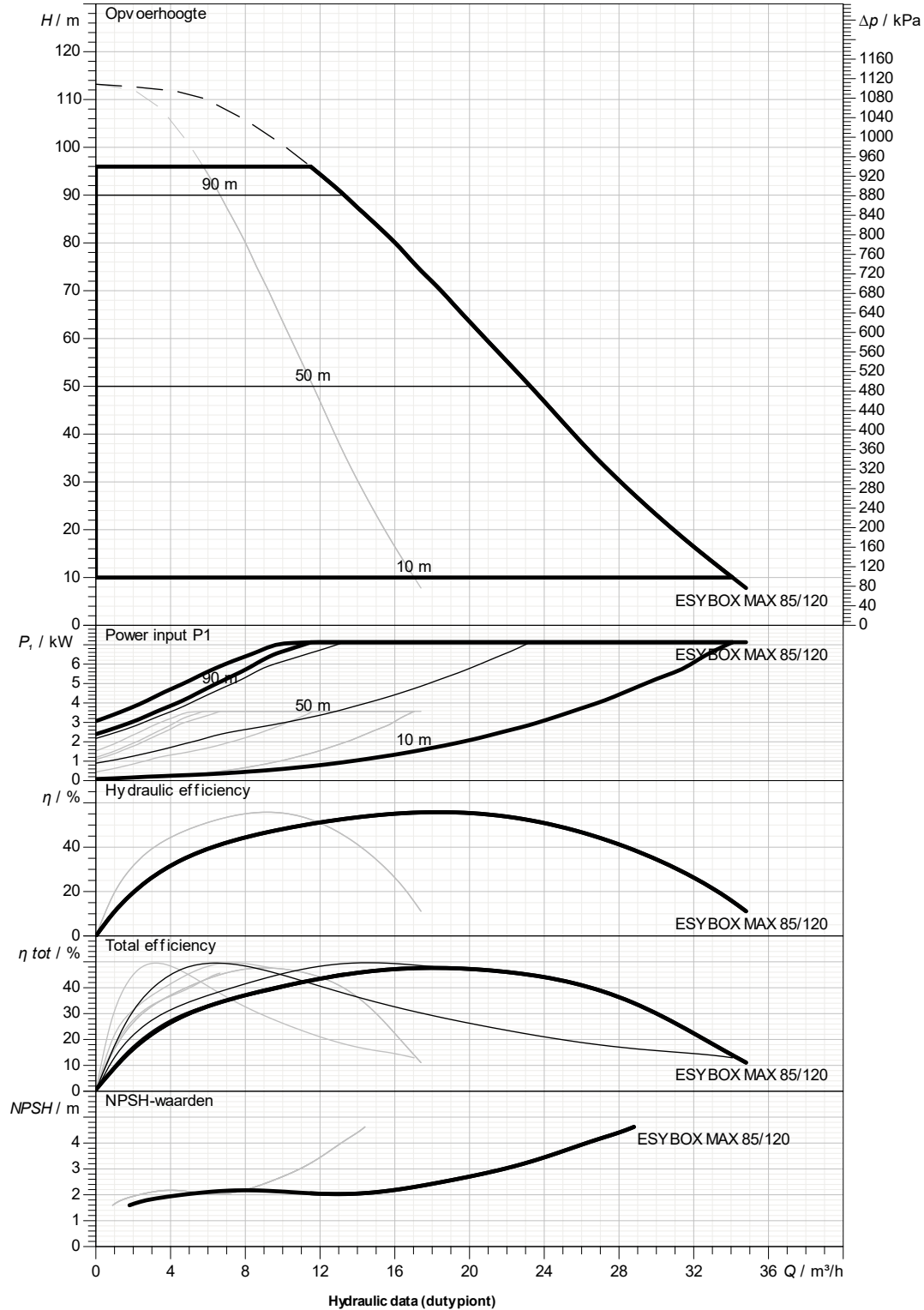
Receiver

From

Company
Reference
Address
Phone
Fax
E-mail

2 ESYBOX MAX 85/120 T DW

Curve tolerance according to ISO 9906



Suction side
1" 1/2 G
1200 kPa

Discharge side
1" 1/2 G
1200 kPa

Flow :

Head :

Rated speed:
5350 1/min

Project

Projectnummer

Aangemaakt door:

Aangemaakt op

2025-02-07



DIMENSIONAL DRAWING

2025-02-07

Pagina 4 / 4

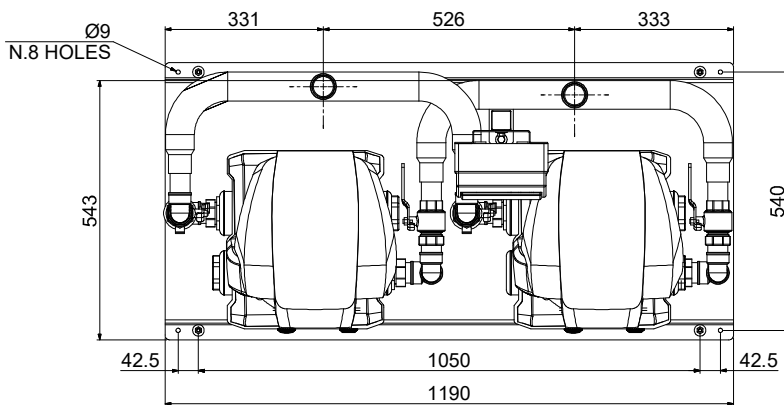
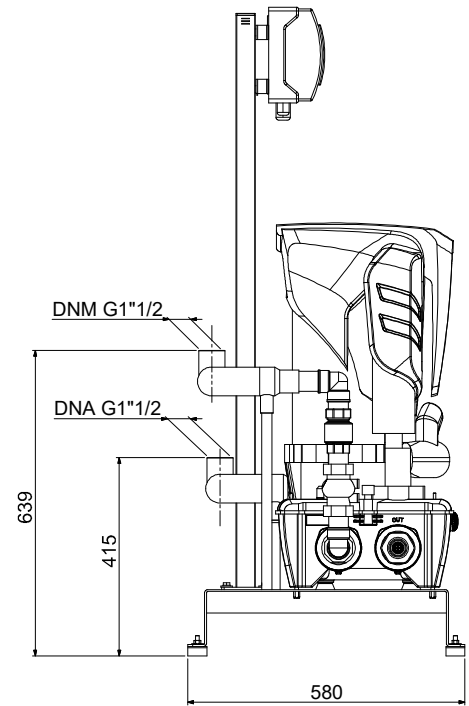
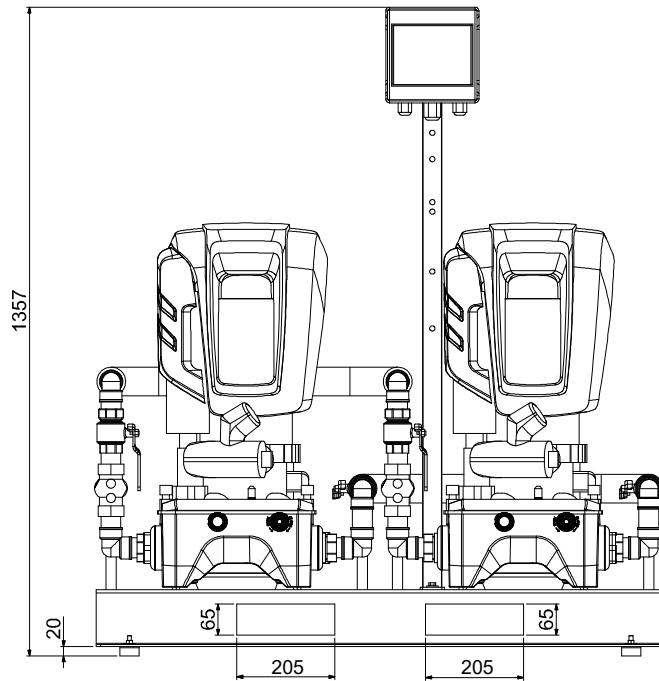
DAB PUMPS S.p.A.
Via Marco Polo, 14 - 35035 Mestrino (PD), Italy
Tel. +39 049 5125000 - Fax +39 049 5125950
www.dabpumps.com

Receiver

From

Company
Reference
Address
Phone
Fax
E-mail

2 ESYBOX MAX 85/120 T DW



*Without the pillar kit and panel, do not consider the H4

Dimensions in mm					Pump connection
1	DNA	1"1/2			Suction 1" 1/2 G 12 bar (1200 KPa) Discharge 1" 1/2 G 12 bar (1200 KPa)
2	DNM	1"1/2			
3					
4					
5					
6					
7					
8					
9					
10					
11					
12					

MAIN_PROJECT_TITLE	BUSINESS_PROCESS_ID	OWNER_	ISSUE_DATE 2025-02-07
--------------------	---------------------	--------	---------------------------------