

**Receiver**

**From**

Company  
Reference  
Address  
Phone  
Fax  
E-mail

**Item no. Customer pos. no.:**

60212597

**Model:**

ESYBOX MINI 3

**Pump data**

Pressure rating : 750 kPa  
SETTABLE CONSTANT PRESSURE FROM 100 TO 550 kPa  
Min. fluid temperature : 0 °C  
Max. fluid temperature : 40 °C  
Max. Temperature operating : 50 °C

**Requested data**

Flow :  
Head :  
Fluid : Water  
Fluid Temperature : 20 °C  
Density : 998.3 kg/m³  
Kinematische viscositeit : 1.005 mm²/s  
Dampspanning : 2.34 kPa

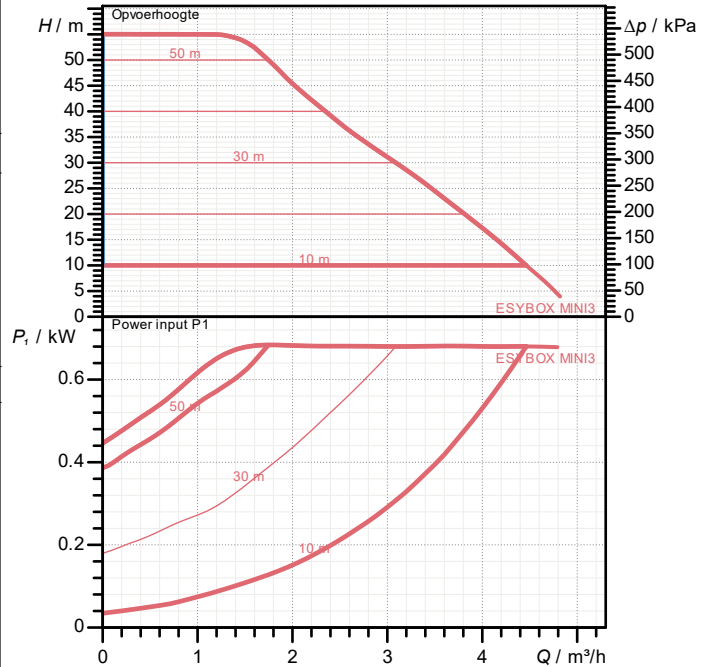
**Materials**

Motor liner : Stainless Steel AISI 304  
O-Ring : NBR  
Mechanical seal : Impregnated carbon-resin/Ceramic/NBR  
Plugs : PA 6.6 30% FV / PP OMO 30% FV  
Suction body : PP OMO 30% GF  
Insert : Brass  
Spring : AISI 303  
Diffuser : Noryl  
Impeller : Noryl  
Discharge section : PP OMO 30% GF  
Non-return valve : Technopolymer/Rubber/Steel  
Tank : Technopolymer/Rubber  
Pressure sensor body : Technopolymer  
Motorhuis : PP OMO 30% GF  
Seal disk : PA 6.6 30% GF  
Selfpriming shutter : POM  
Heat sink : Brass  
Flowmeter wheel : POM

**Motor data**

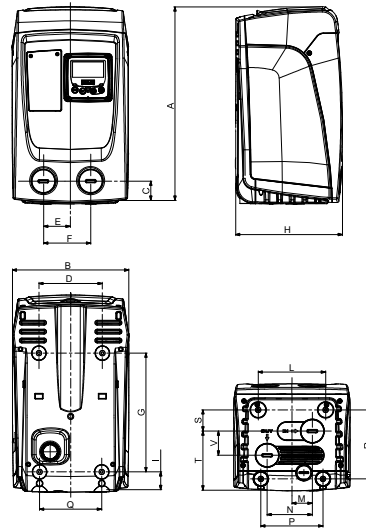
Max. Power input P1 : 0.85 kW  
Rated speed : 3000 1/min  
Rated voltage : 1~ 220-240 V 50 Hz  
Nominal current : 4.8 A  
Degree of protection : IP X4

**Curve tolerance according to ISO 9906**



**Hydraulic data (duty point)**

Flow :  
Head :



**Dimension mm**

A	439	G	279.5	P	140		
B	263	H	236	Q	140		
C	46	I	40.5	R	155.5		
D	143	L	152	S	47.8		
E	60.7	M	46	T	133		
F	106.7	N	101.7	V	54.5		

**Gewicht:** 14.6 kg

**Pump connection**

Suction side : 1" G / 750 kPa  
Discharge side : 1" G / 750 kPa



WATER • TECHNOLOGY

# PERFORMANCE CURVES

2025-02-19

Pagina 2 / 3

DAB PUMPS S.p.A.  
Via Marco Polo, 14 - 35035 Mestrino (PD), Italy  
Tel. +39 049 5125000 - Fax +39 049 5125950  
www.dabpumps.com

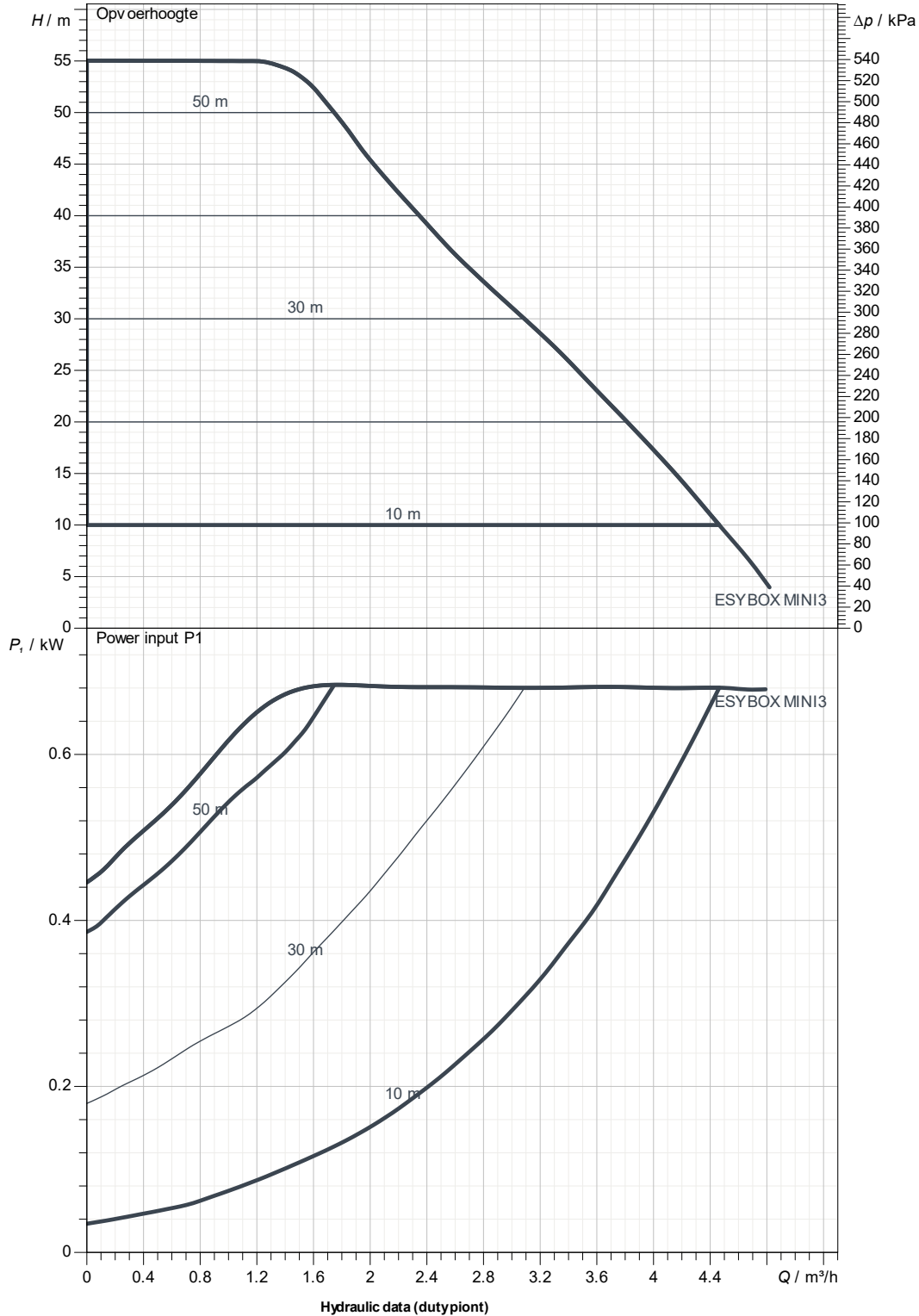
Receiver

From

Company  
Reference  
Address  
Phone  
Fax  
E-mail

## ESYBOX MINI 3

Curve tolerance according to ISO 9906



Suction side 1" G 750 kPa	Discharge side 1" G 750 kPa	Flow :	Head :	Rated speed: 3000 1/min
MAIN_PROJECT_TITLE	BUSINESS_PROCESS_ID	OWNER_	ISSUE_DATE 2025-02-19	



# DIMENSIONAL DRAWING

2025-02-19

Pagina 3 / 3

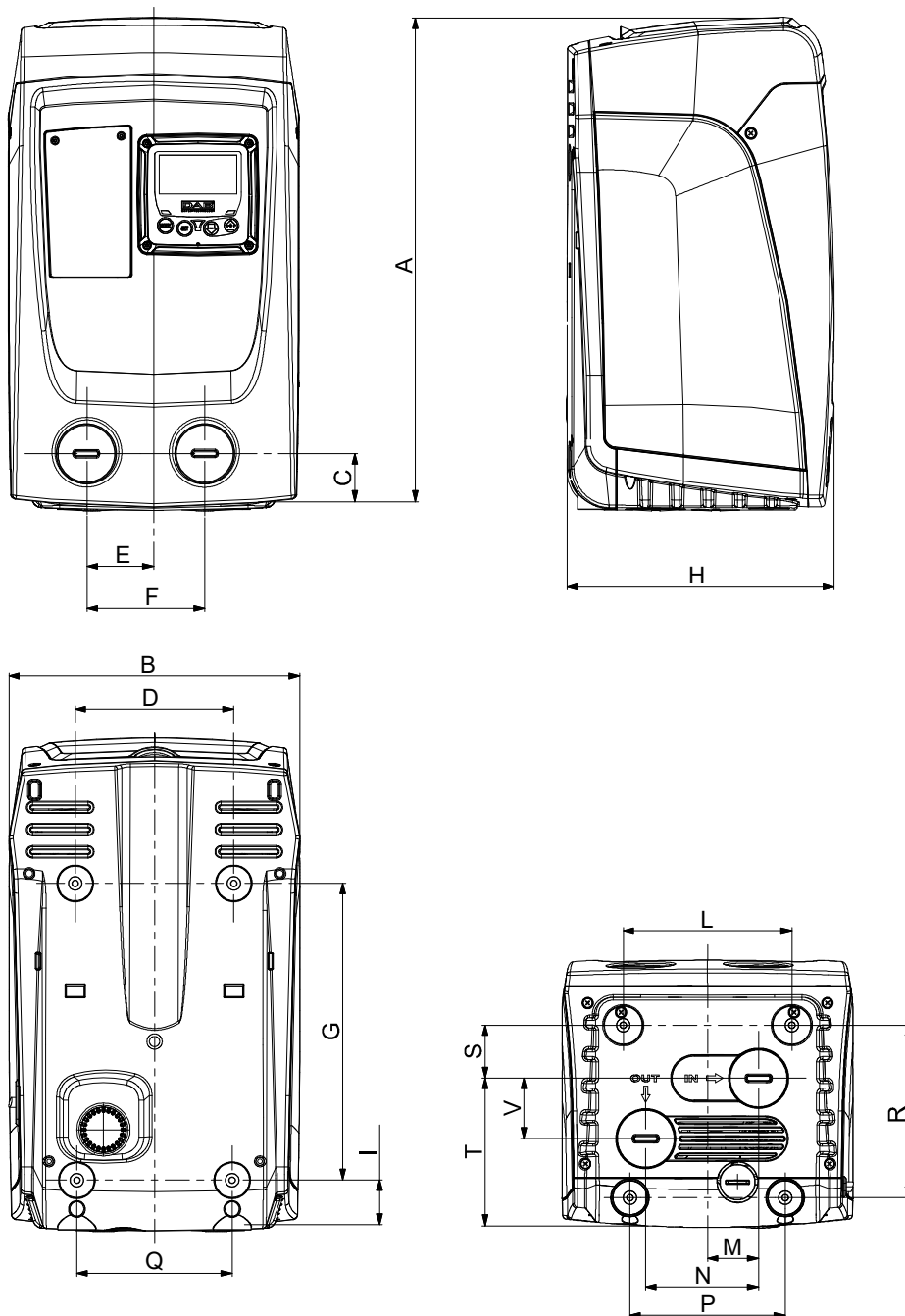
DAB PUMPS S.p.A.  
Via Marco Polo, 14 - 35035 Mestrino (PD), Italy  
Tel. +39 049 5125000 - Fax +39 049 5125950  
www.dabpumps.com

Receiver

From

Company  
Reference  
Address  
Phone  
Fax  
E-mail

## ESYBOX MINI 3



Dimensions in mm

Pump connection

1	A	439
2	B	263
3	C	46
4	D	143
5	E	60.7
6	F	106.7
7	G	279.5
8	H	236
9	I	40.5
10	L	152
11	M	46
12	N	101.7

P	140
Q	140
R	155.5
S	47.8
T	133
V	54.5

Suction  
1" G  
750 kPa  
  
Discharge  
1" G  
750 kPa

MAIN\_PROJECT\_TITLE

BUSINESS\_PROCESS\_ID

OWNER\_

ISSUE\_DATE

2025-02-19