

**Receiver**
**From**

 Company  
 Reference  
 Address  
 Phone  
 Fax  
 E-mail

**Item no. Customer pos. no.:**

60212602

**Model:**

ESY BOX MINI 3 - DW

**Pump data**

 Pressure rating : 750 kPa  
 SETTABLE CONSTANT PRESSURE FROM 100 TO 550 kPa  
 Min. fluid temperature : 0 °C  
 Max. fluid temperature : 40 °C  
 Max. Temperature operating : 50 °C

**Requested data**

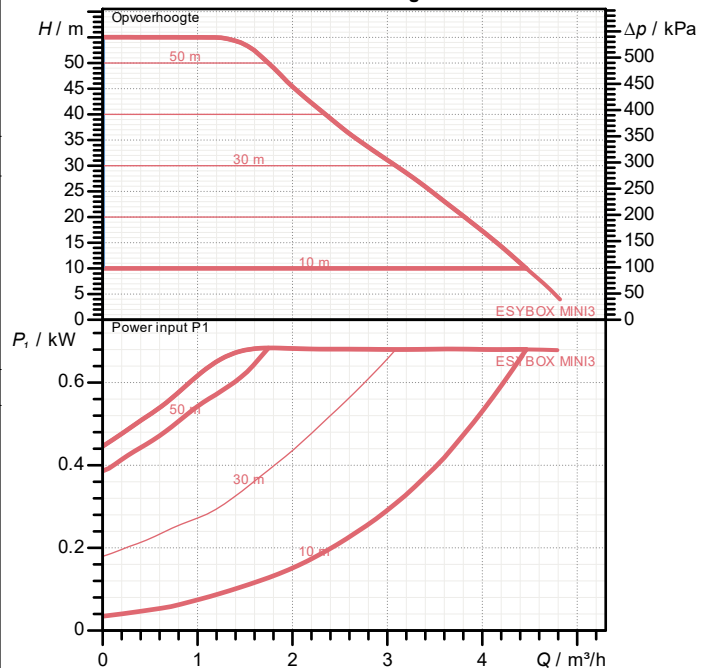
 Flow :  
 Head :  
 Fluid : Water  
 Fluid Temperature : 20 °C  
 Density : 998.3 kg/m<sup>3</sup>  
 Kinematische viscositeit : 1.005 mm<sup>2</sup>/s  
 Dampspanning : 2.34 kPa

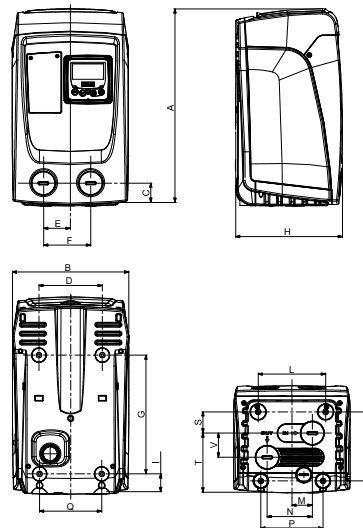
**Materials**

Motor liner	Stainless Steel AISI 304
O-Ring	NBR
Mechanical seal	Impregnated carbon-resin/Ceramic/NBR
Plugs	PA 6.6 30% FV / PP OMO 30% FV
Suction body	PP OMO 30% GF
Insert	Brass
Spring	AISI 303
Diffuser	Noryl
Impeller	Noryl
Discharge section	PP OMO 30% GF
Non-return valve	Technopolymer/Rubber/Steel
Tank	Technopolymer/Rubber
Pressure sensor body	Technopolymer
Motorhuis	PP OMO 30% GF
Seal disk	PA 6.6 30% GF
Selfpriming shutter	POM
Heat sink	Brass
Flowmeter wheel	POM

**Motor data**

 Max. Power input P1 : 0.85 kW  
 Rated speed : 3000 1/min  
 Rated voltage : 1~ 220-240 V 50 Hz  
 Nominal current : 4.8 A  
 Degree of protection : IP X4

**Curve tolerance according to ISO 9906**

**Hydraulic data (duty point)**

 Flow :  
 Head :

**Dimension mm**

A	439	G	279.5	P	140
B	263	H	236	Q	140
C	46	I	40.5	R	155.5
D	143	L	152	S	47.8
E	60.7	M	46	T	133
F	106.7	N	101.7	V	54.5

**Gewicht:** 14.6 kg

**Pump connection**

 Suction side 1" G / 750 kPa  
 Discharge side 1" G / 750 kPa



# PERFORMANCE CURVES

DAB PUMPS S.p.A.  
Via Marco Polo, 14 - 35035 Mestrino (PD), Italy  
Tel. +39 049 5125000 - Fax +39 049 5125950  
www.dabpumps.com

2025-02-19

Pagina 2 / 3

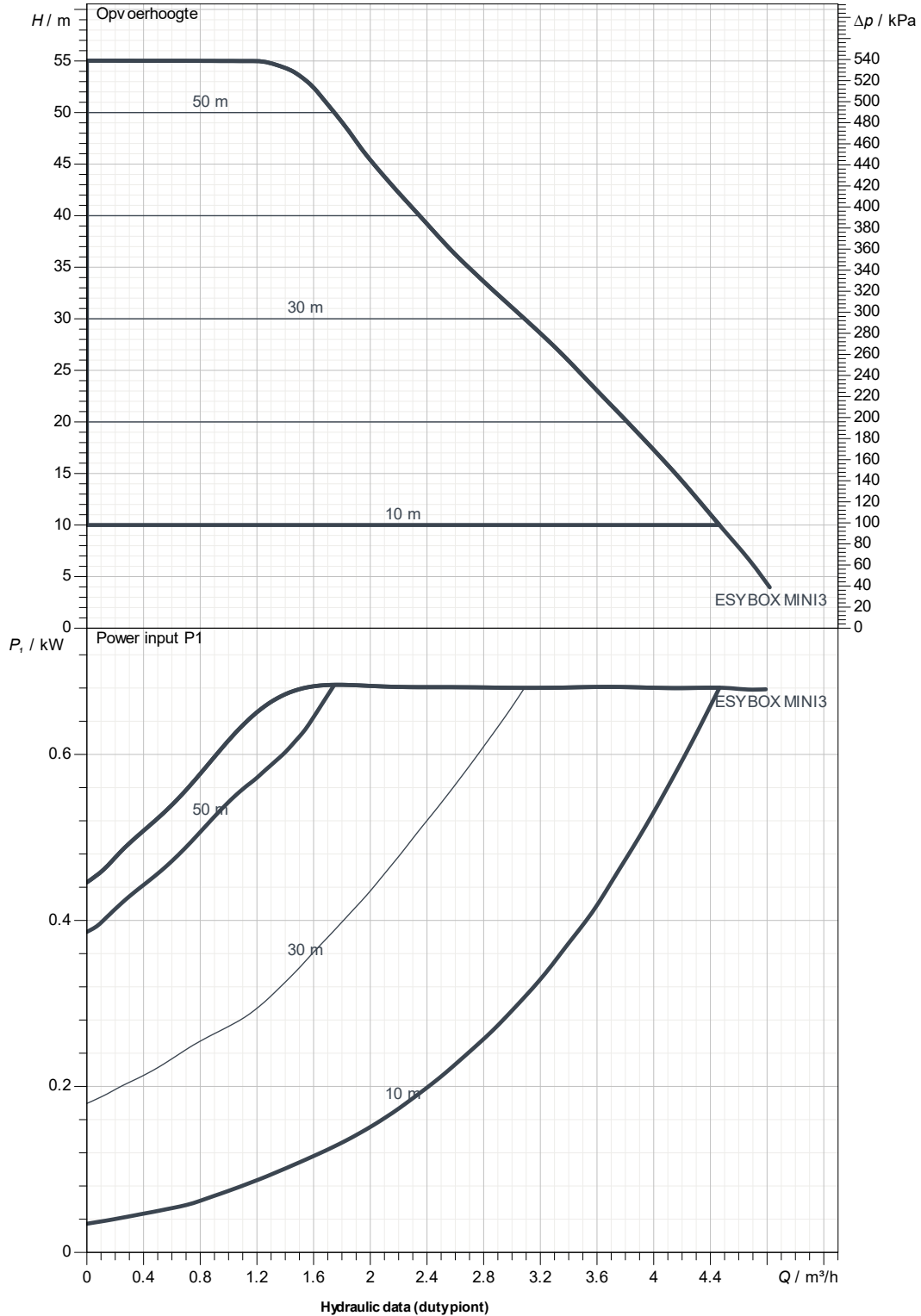
Receiver

From

Company  
Reference  
Address  
Phone  
Fax  
E-mail

## ESYBOX MINI 3 - DW

Curve tolerance according to ISO 9906



Suction side 1" G 750 kPa	Discharge side 1" G 750 kPa	Flow :	Head :	Rated speed: 3000 1/min
MAIN_PROJECT_TITLE	BUSINESS_PROCESS_ID	OWNER_	ISSUE_DATE <b>2025-02-19</b>	



# DIMENSIONAL DRAWING

2025-02-19

Pagina 3 / 3

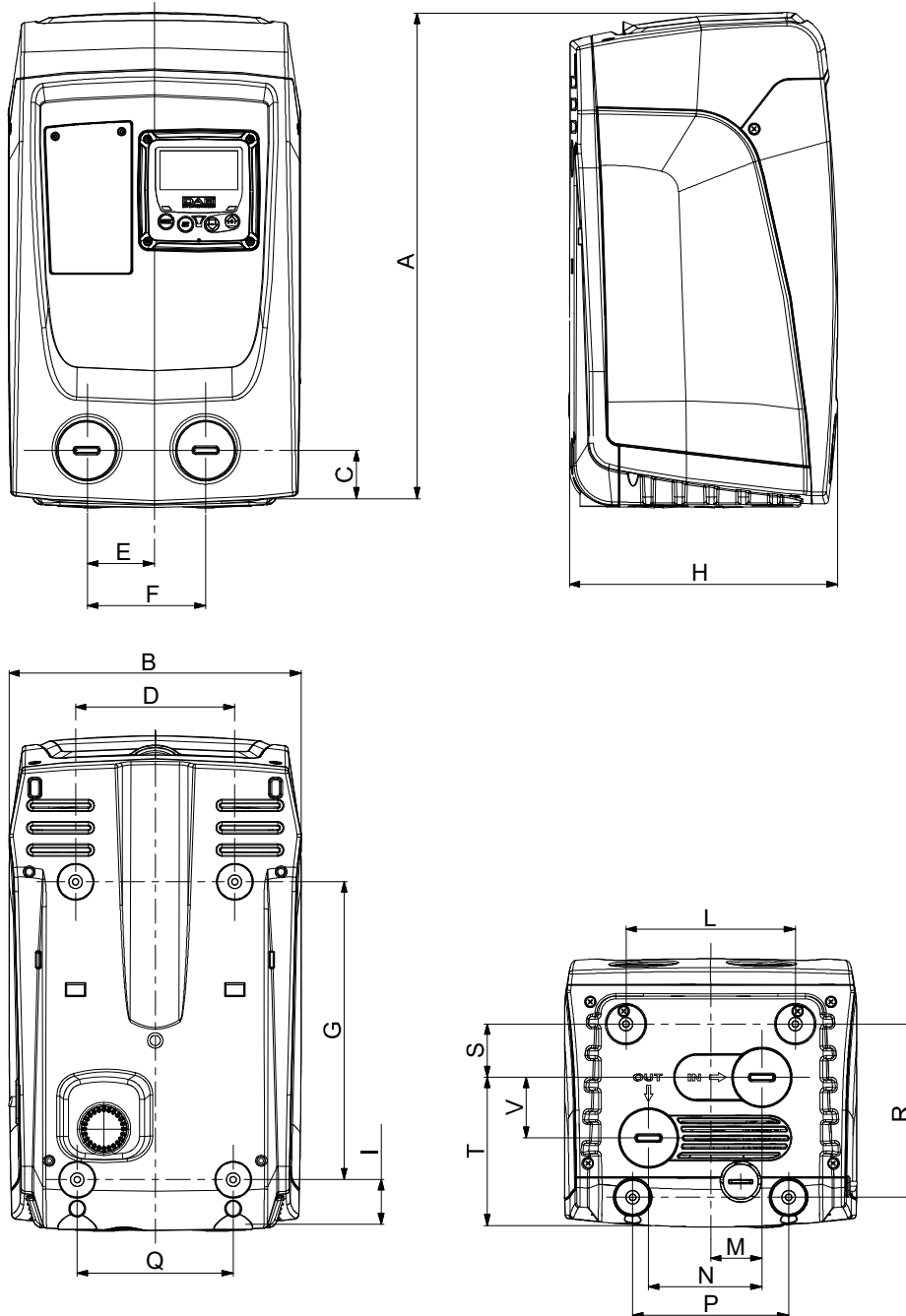
DAB PUMPS S.p.A.  
Via Marco Polo, 14 - 35035 Mestrino (PD), Italy  
Tel. +39 049 5125000 - Fax +39 049 5125950  
www.dabpumps.com

Receiver

From

Company  
Reference  
Address  
Phone  
Fax  
E-mail

## ESYBOX MINI 3 - DW



Dimensions in mm						Pump connection	
1	A	439	P	140			
2	B	263	Q	140			Suction
3	C	46	R	155.5			1" G
4	D	143	S	47.8			750 kPa
5	E	60.7	T	133			
6	F	106.7	V	54.5			
7	G	279.5					Discharge
8	H	236					1" G
9	I	40.5					750 kPa
10	L	152					
11	M	46					
12	N	101.7					

MAIN_PROJECT_TITLE	BUSINESS_PROCESS_ID	OWNER_	ISSUE_DATE 2025-02-19
--------------------	---------------------	--------	--------------------------