

# ESyTANK

DRINKING WATER STORAGE TANK



# ESYTANK 500

## DRINKING WATER STORAGE TANK



EsyTank 500 is compatible with EsyBox  
\*EsyBox not supplied with EsyTank



EsyTank 500 Mini is compatible with EsyBox Mini<sup>3</sup>  
\*EsyBox Mini<sup>3</sup> not supplied with EsyTank

### TECHNICAL DATA

**Pumped fluid:** clean, free from solids or abrasive substances, not viscous, not aggressive, not crystallised and chemically neutral.

**Maximum liquid temperature:** 40°C

**Maximum environment temperature:** 50°C

**Maximum capacity:** 480 litres

**Supply pressure allowed at mains water inlet:** max. 6 bar

**Dimensions of mains water inlet pipe:** ¾"

**Dimensions of delivery pipe:** 1"

**Dimensions of overflow pipe connection:** DN 50

**Dimensions of front discharge (not drilled):** DN40

### APPLICATION / EXAMPLES OF INSTALLATION

EsyTank and EsyTank 500 Mini are 480l tanks specifically designed to work seamlessly with EsyBox and EsyBox Mini<sup>3</sup> in domestic/residential settings for storing and supplying water and serving as break tanks between the pump sets and mains supply.

EsyTank/EsyTank 500 Mini is recommended for: meeting water demand when the public water supply is insufficient; use as a break tank, where direct-suction pumping systems cannot be installed, to break the connection with the city water supply and thus prevent backflow into the mains water and resulting contamination; use as an intermediate tank in tall buildings to separate the pressure boosting system into a number of zones.

Using EsyTank/EsyTank 500 Mini in conjunction with EsyBox or EsyBox Mini<sup>3</sup> allows you to produce a complete energy-efficient pressure boosting system with a series of advantages: a much smaller footprint; a more appropriately sized system so that it fits through smaller doors, like those leading to cellars; the tank comes with all the accessories required for fast installation; unbeatable integration and ease of installation with EsyBox or EsyBox Mini<sup>3</sup>; use of recycled materials that are fit for use with drinking water.

### DESIGN FUTURES

EsyTank/EsyTank 500 Mini is a tank with a 480l capacity, suitable for use with drinking water. It features a valve for filling from the mains with an unrestricted air gap float for backflow prevention, in line with standard UNI EN 1717. The CAT3 version features an AG-type air gap overflow system with DN50 outlet, while the CAT5 has an AB-type air gap system with auxiliary DN50 outlet. The AG- or AB-type overflow systems on both versions are located at the back; the tank comes with an insect guard that can be attached with special screws.

EsyTank/EsyTank 500 Mini comes with EsyDock, suction pipe with foot valve and delivery line. The tank is suitable for fixed mounting above ground: the four slots in the base make it easy to secure to the ground. A plug or a drain line can be connected to the front wall by using the threaded bulkhead adapter that comes with the tank.

And with the special inspection cover, maintenance is made easy, too. The system is modular, allowing you to install tanks on three sides (at the back and either side).

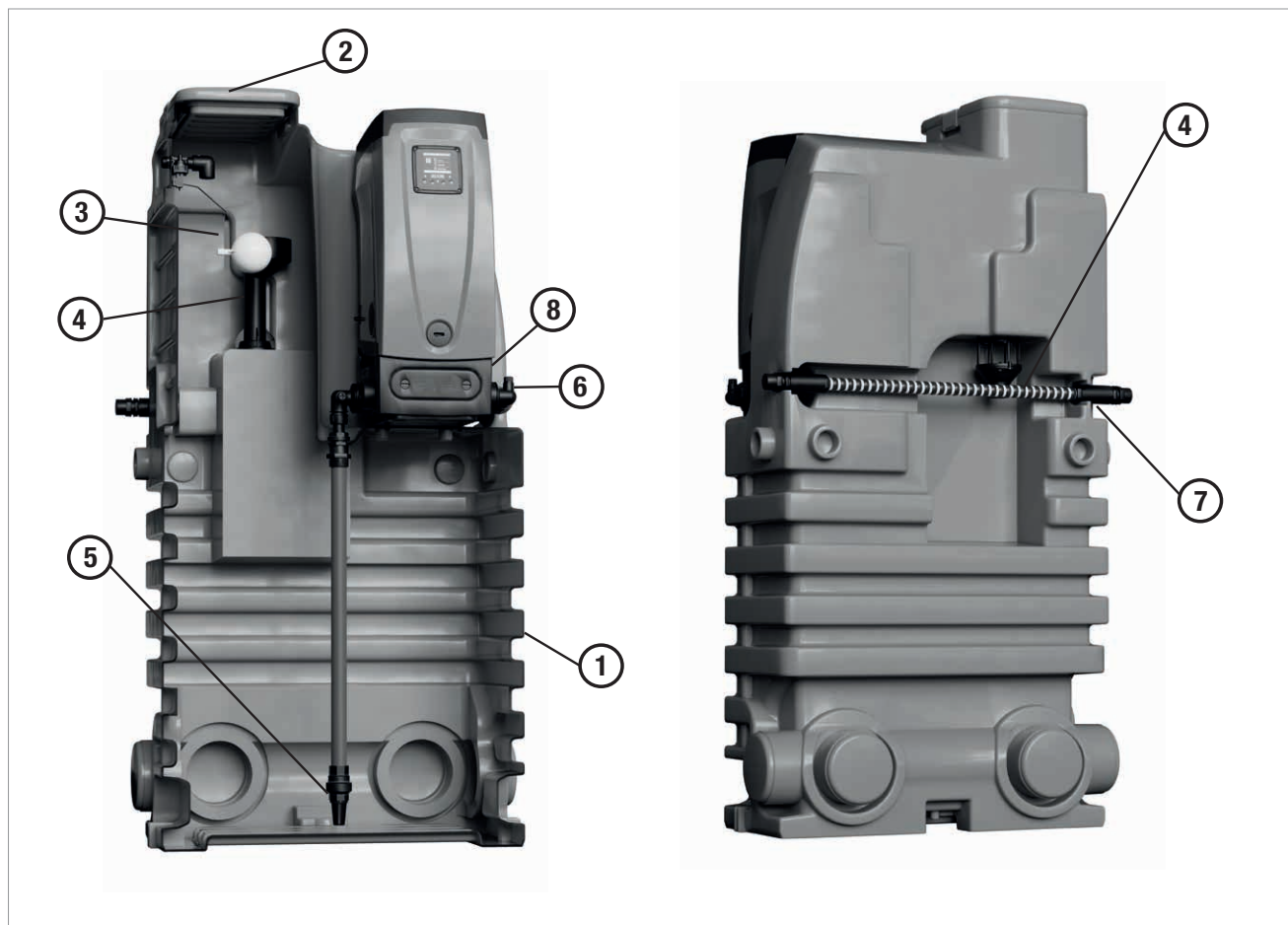
# ESYTANK 500

## DRINKING WATER STORAGE TANK


### MATERIALS


N°	ITEMS	MATERIALS
1	480 LITRE TANK	LINEAR LOW-DENSITY POLYETHYLENE. LDPE
2	INSPECTION COVER	LINEAR LOW-DENSITY POLYETHYLENE. LDPE
3	SERVO-CONTROLLED FLOAT VALVE	(NYLON) PA 66 GLASS FIBER REINFORCED, STAINLESS STEEL, EPDM, PPH, BRASS CW508L
4	OVERFLOW	PP POLYPROPYLENE 30% GLASS FIBER
5	SUCTION PIPE WITH FOOT VALVE	POLYPROPYLENE HOMOPOLYMER, POM
6	DELIVERY PIPE	POLYPROPYLENE HOMOPOLYMER
7	AUXILIARY DELIVERY PIPE*	POLYPROPYLENE HOMOPOLYMER
8	E.SYDOCK	NYLON 30% FV, PP 30% FV, NBR


\*not supplied with EskyTank



## ACCESSORIES

ESYTANK AUXILIARY CITERN	DESCRIPTION
	<p>The EsyTank auxiliary cistern is supplied without any fittings or the EsyDock. The tank has a modular design to couple easily with other EsyTank units, making the system expandable to the necessary capacity. It can be connected on three sides (at side and rear) using the EsyTank tank coupling kit.</p>

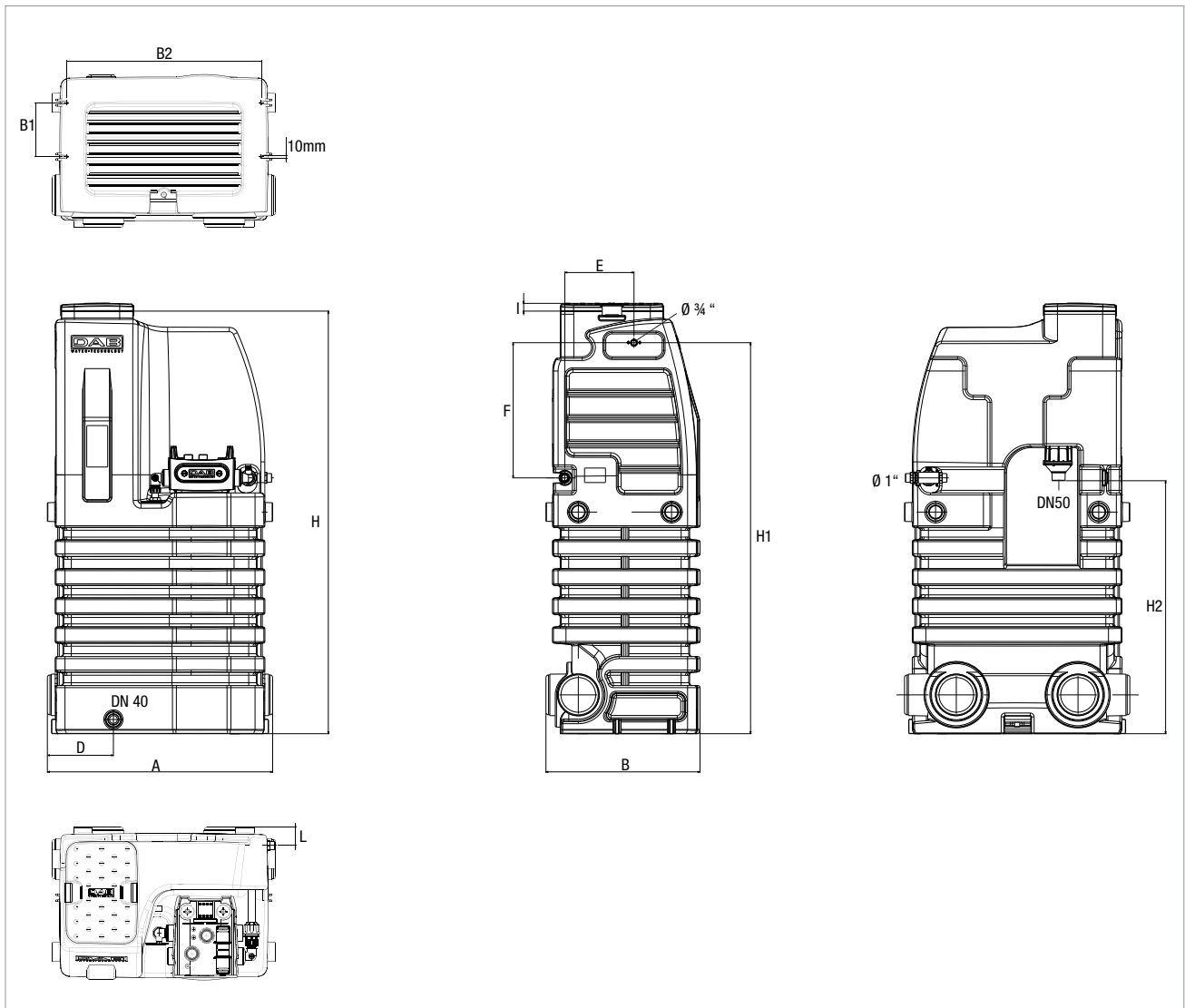
ESYTANK COUPLING KIT	DESCRIPTION
	<p>The EsyTank coupling kit is composed of a PVC sleeve with gasket (D.160 mm L=150), two PVC aligning pipes (D.50mm x L=60) and a connecting ring nut for a 2-pump option. It allows the connection of several EsyTank units or between EsyTank and EsyTank auxiliary cistern.</p>

ESYTANK OPTIONAL DELIVERY KIT	DESCRIPTION
	<p>Composed of a 1" PP pipe. It allows an auxiliary delivery for single tank systems or with the coupling kit it allows several EsyTank systems to be linked together and to create pressure boosting units with several pumps and tanks.</p>

# ESYTANK 500

## DRINKING WATER STORAGE TANK

### DIMENSIONS

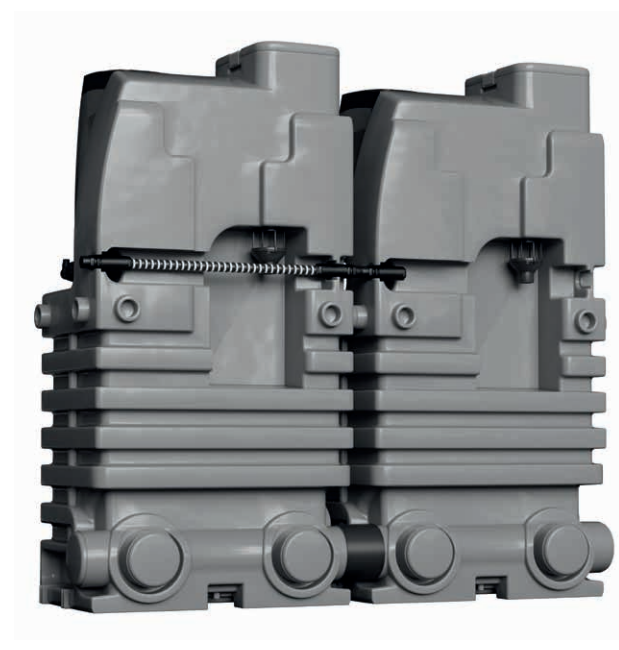


MODEL	A	B	B1	B2	D	E	F	H	H1	H2	I	L	WEIGHT (kg)
ESYTANK 500	870	595	210	758	255	267	522	1632	1510	977	30	72	40
ESYTANK 500 MINI													

## CONFIGURATION EXAMPLES

INDEX	DESCRIPTION
A	ESYBOX
B	ESYTANK
C	ESYTANK AUXILIARY CITERN
D	ESYTANK COUPLING KIT
E	ESYTANK OPTIONAL DELIVERY KIT

### 1.INSTALLATION OF 2 ESYBOX + 2 ESYTANK



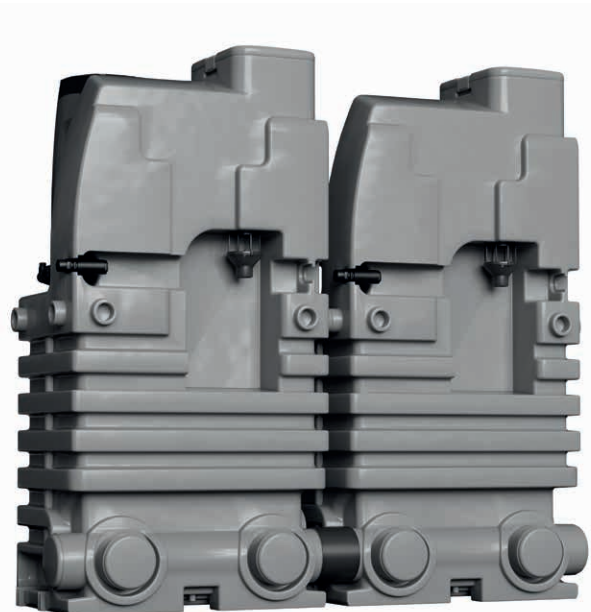
$2x A + 2x B + 1x D + 1x E^*$

\*FOR CONFIGURATION 1 REQUIRED ITEMS ARE : 2 ESYBOX + 2 ESYTANK + 1 ESYTANK COUPLING KIT + 1 ESYTANK OPTIONAL DELIVERY KIT

# ESYTANK 500

DRINKING WATER STORAGE TANK

## 2.ESYTANK EXPANSION WITH AUXILIARY TANK



1xA + 1xB + 1xC + 1xD\*

\*FOR CONFIGURATION 2 REQUIRED ITEMS ARE: 1 ESYBOX + 1 ESYTANK + 1 ESYTANK AUXILIARY CITERN + 1 ESYTANK TANK COUPLING KIT

## 3.ESYTANK INSTALLATION WITH DELIVERY OUTLET ON THE LEFT



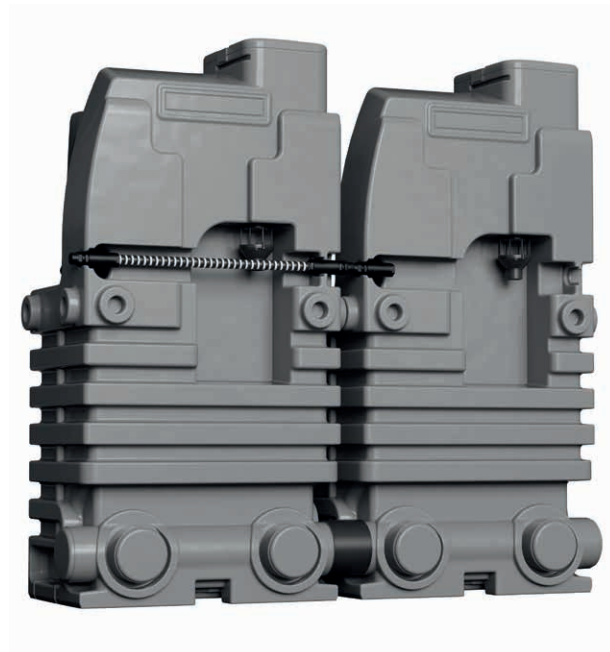
1xA + 1xB + 1xE\*

\*FOR CONFIGURATION 3 REQUIRED ITEMS ARE : 1 ESYBOX + 1 ESYTANK + 1 X ESYTANK OPTIONAL DELIVERY KIT

## CONFIGURATION EXAMPLES

INDEX	DESCRIPTION
A	ESYBOX MINI <sup>3</sup>
B	ESYTANK
C	ESYTANK AUXILIARY CITERN
D	ESYTANK COUPLING KIT
E	ESYTANK OPTIONAL DELIVERY KIT

### 1. INSTALLATION OF 2 ESYBOX MINI<sup>3</sup> + 2 ESYTANK



$$2xA + 2xB + 1xD + 1xE^*$$

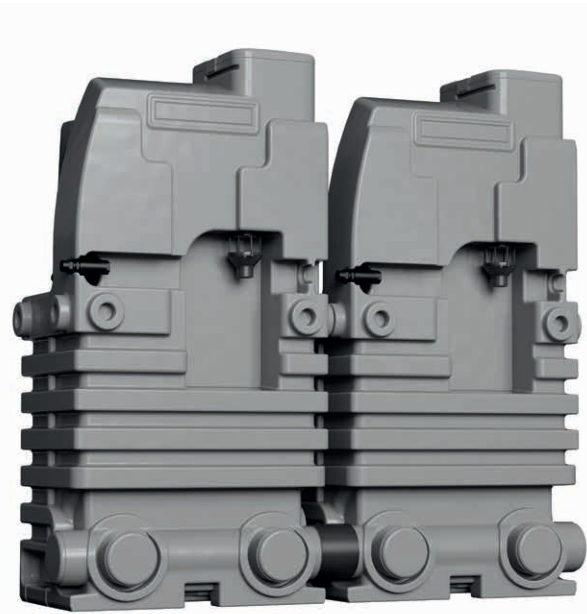
\*FOR CONFIGURATION 1 REQUIRED ITEMS ARE : 2 ESYBOX MINI<sup>3</sup> + 2 ESYTANK + 1 ESYTANK COUPLING KIT + 1 ESYTANK OPTIONAL DELIVERY KIT



# ESYTANK 500

DRINKING WATER STORAGE TANK

## 2.ESYTANK EXPANSION WITH AUXILIARY TANK



1xA + 1xB + 1xC + 1xD\*

\*FOR CONFIGURATION 2 REQUIRED ITEMS ARE: 1 ESYBOX MINI<sup>3</sup> + 1 ESYTANK + 1 ESYTANK AUXILIARY CITERN + 1 ESYTANK TANK COUPLING KIT

## 3.ESYTANK INSTALLATION WITH DELIVERY OUTLET ON THE LEFT



1xA + 1xB + 1xE\*

\*FOR CONFIGURATION 3 REQUIRED ITEMS ARE : 1 ESYBOX MINI<sup>3</sup> + 1 ESYTANK + 1 X ESYTANK OPTIONAL DELIVERY KIT

# ESYTANK 300

## DRINKING WATER STORAGE TANK



EsyTank 300 is compatible with EsyBox  
\*EsyBox not supplied with EsyTank



EsyTank 300 Mini is compatible with EsyBox Mini<sup>3</sup>  
\*EsyBox Mini<sup>3</sup> not supplied with EsyTank

### TECHNICAL DATA

**Pumped fluid:** clean, free from solids or abrasive substances, not viscous, not aggressive, not crystallised and chemically neutral.

**Maximum liquid temperature:** 40°C

**Maximum environment temperature:** 50°C

**Maximum capacity:** 275 litres

**Supply pressure allowed at mains water inlet:** max. 6 bar

**Dimensions of mains water inlet pipe:** ¾"

**Dimensions of delivery pipe:** 1"

**Dimensions of overflow pipe connection:** DN 50

**Dimensions of front discharge (not drilled):** DN40

### APPLICATION / EXAMPLES OF INSTALLATION

EsyTank and EsyTank 300 Mini are 275l tanks specifically designed to work seamlessly with EsyBox and EsyBox Mini<sup>3</sup> in domestic/residential settings for storing and supplying water and serving as break tanks between the pump sets and mains supply. Footprint is reduced considerably compared to the 480l version.

EsyTank/EsyTank 300 Mini is recommended for: meeting water demand when the public water supply is insufficient; use as a break tank, where direct-suction pumping systems cannot be installed, to break the connection with the city water supply and thus prevent backflow into the mains water and resulting contamination; use as an intermediate tank in tall buildings to separate the pressure boosting system into a number of zones.

Using EsyTank/EsyTank 300 Mini in conjunction with EsyBox or EsyBox Mini<sup>3</sup> allows you to produce a complete energy-efficient pressure boosting system with a series of advantages: a much smaller footprint; a more appropriately sized system so that it fits through smaller doors, like those leading to cellars; the tank comes with all the accessories required for fast installation; unbeatable integration and ease of installation with EsyBox or EsyBox Mini<sup>3</sup>; use of recycled materials that are fit for use with drinking water.

### DESIGN FUTURES

EsyTank/EsyTank 300 Mini is a tank with a 275l capacity, suitable for use with drinking water. It features a valve for filling from the mains with an unrestricted air gap float for backflow prevention, in line with standard UNI EN 1717. The CAT3 version features an AG-type air gap overflow system with DN50 outlet, while the CAT5 has an AB-type air gap system with auxiliary DN50 outlet. The AG- or AB-type overflow systems on both versions are located at the back; the tank comes with an insect guard that can be attached with special screws.

EsyTank/EsyTank 300 Mini comes with EsyDock, suction pipe with foot valve and delivery line. The tank is suitable for fixed mounting above ground: the four slots in the base make it easy to secure to the ground. A plug or a drain line can be connected to the front wall by using the threaded bulkhead adapter that comes with the tank.

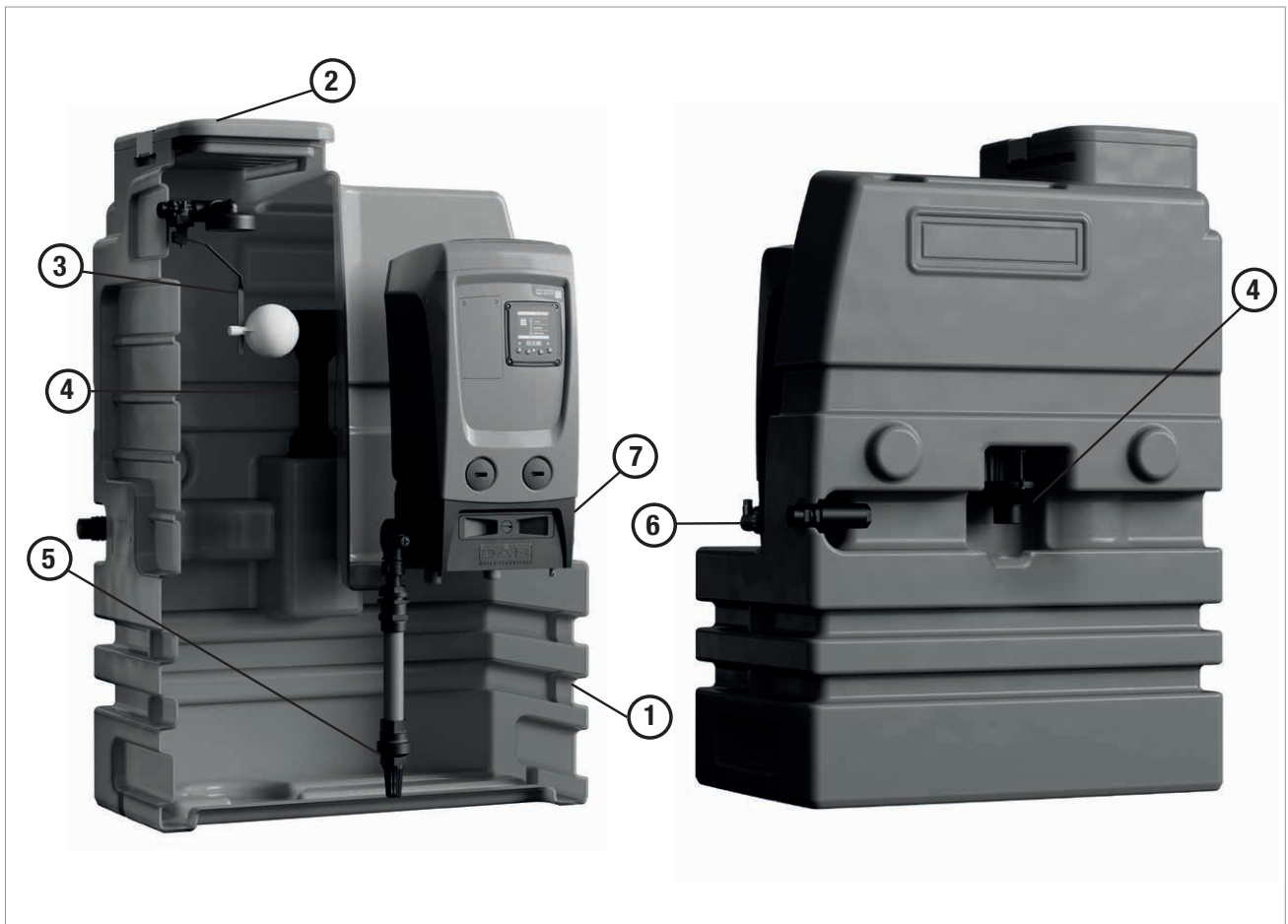
And with the special inspection cover, maintenance is made easy, too.

# ESYTANK 300

## DRINKING WATER STORAGE TANK

### MATERIALS

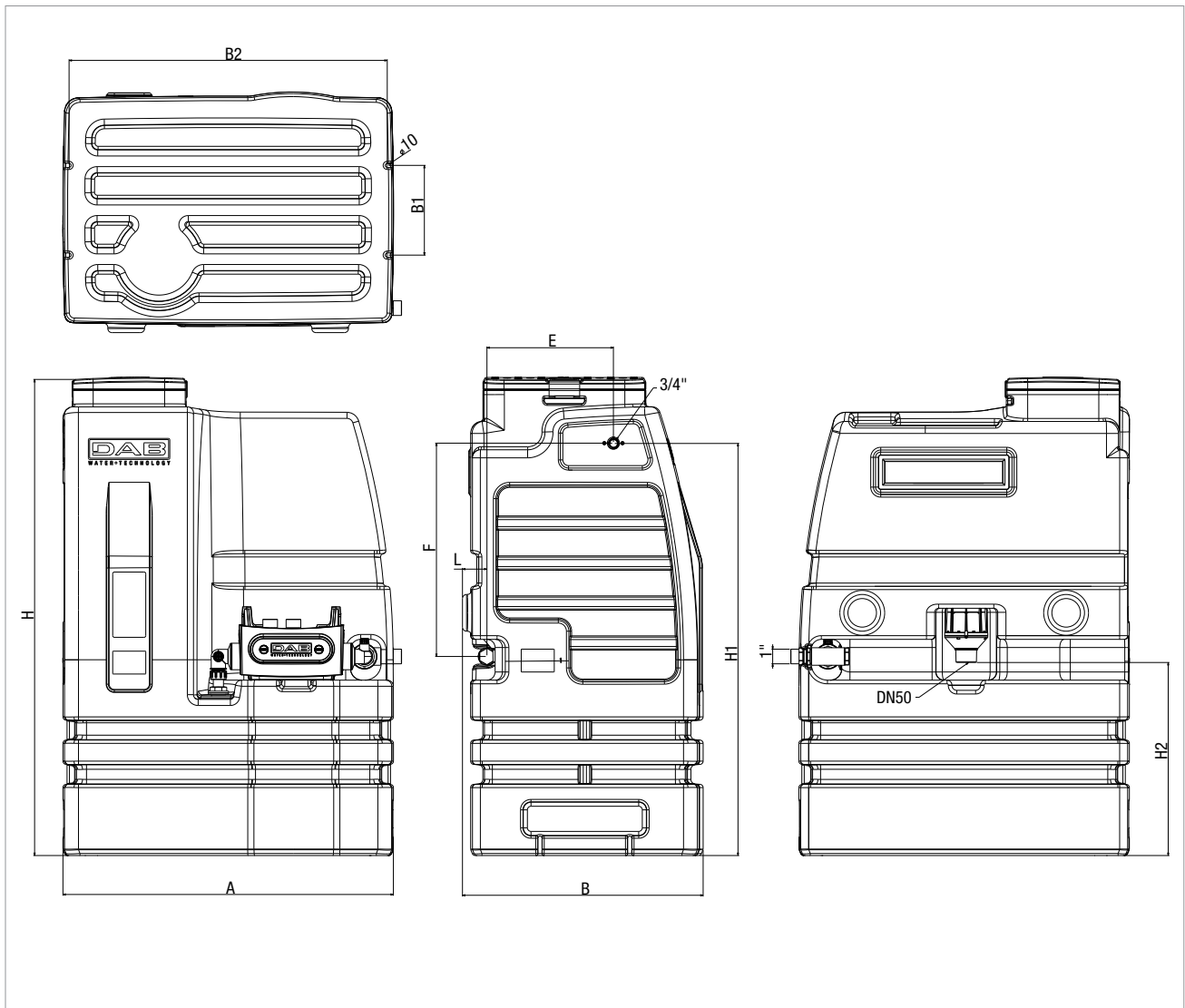
N°	ITEMS	MATERIALS
1	275 LITRE TANK	LINEAR LOW-DENSITY POLYETHYLENE. LDPE
2	INSPECTION COVER	LINEAR LOW-DENSITY POLYETHYLENE. LDPE
3	SERVO-CONTROLLED FLOAT VALVE	(NYLON) PA 66 GLASS FIBER REINFORCED, STAINLESS STEEL, EPDM, PPH, BRASS CW508L
4	OVERFLOW	PP POLYPROPYLENE 30% GLASS FIBER
5	SUCTION PIPE WITH FOOT VALVE	POLYPROPYLENE HOMOPOLYMER, POM
6	DELIVERY PIPE	POLYPROPYLENE HOMOPOLYMER
7	ESYDOCK	NYLON 30% FV, PP 30% FV, NBR



# ESYTANK 300

## DRINKING WATER STORAGE TANK

### DIMENSIONS



MODEL	A	B	B1	B2	E	F	H	H1	H2	L	WEIGHT (kg)
ESYTANK 300	810	590	220	758	310	520	1170	1010	470	60	30
ESYTANK 300 MINI											







# DNA<sup>®</sup>

## PUMPS SELECTOR



# On-line product selection



**DAB PUMPS LTD.**

Unit 6 Gilbert Court  
Newcomen Way, Severalls Park  
CO4 9WN  
Colchester  
ordersuk@dwtgroup.com  
Tel. +44 0333 777 5010



**DAB PUMPS IBERICA S.L.**

Calle Verano 18-20-22  
28850 - Torrejón de Ardoz - Madrid  
Spain  
Info.spain@dwtgroup.com  
Tel. +34 91 6569545



**DAB PUMPS (QINGDAO) CO. LTD.**

No.10 Xindong Road  
Jiulong Town,  
Jiaozhou City  
266319 Qingdao (Shandong) - China  
sales.cn@dwtgroup.com  
Tel. +86 400 186 8280



**DAB PUMPS BV**

\*Hofveld 6 C1  
1702 Groot Bijgaarden - Belgium  
info.belgium@dwtgroup.com  
Tel. +32 2 4668353



**DAB PUMPS HUNGARY KFT.**

H-8800  
Nagykanizsa, Buda Ernő u.5  
Hungary  
Tel. +36 93501700



**DAB PUMPS DE MÉXICO, S.A. DE C.V.**

Av Amsterdam 101 Local 4  
Col. Hipódromo Condesa,  
Del. Cuauhtémoc CP 06170  
Ciudad de México  
Tel. +52 55 6719 0493



**DAB PUMPS POLAND Sp. z o.o.**

Ul. Janka Muzykanta 60  
02188 Warszawa - Poland  
sprzedaz@dabpumps.com.pl



**DAB PUMPS B.V.**

Statenlaan, 4  
5223 LA, 's-Hertogenbosch  
Nederland  
info.nl@dabpumps.com  
Tel. +31 416 387280



**DAB PUMPS INC.**

3226 Benchmark Drive  
Ladson, SC 29456 - USA  
info.usa@dwtgroup.com  
Tel. 1-843-797-5002  
Fax 1-843-797-3366



**DAB PUMPS OCEANIA PTY LTD**

426 South Gippsland Highway,  
Dandenong South VIC 3175 - Australia  
info.oceania@dwtgroup.com  
Tel. +61 1300 378 677



**DAB PUMPS GMBH**

Am Nordpark 3  
D - 41069 Mönchengladbach - Germany  
info.germany@dwtgroup.com  
Tel. +49 2161 47388-0  
Fax +49 2161 47388-36



**DAB PUMPS SOUTH AFRICA (PTY) LTD**

Twenty One industrial Estate,  
16 Purlin Street, Unit B, Warehouse 4  
Olifantsfontein - 1667 - South Africa  
info.sa@dwtgroup.com  
Tel. +27 12 361 3997



**PT DAB PUMPS INDONESIA**

Satrio Tower lantai 26  
unit C-D, Jl. Prof. Dr. Satrio Kav. C4,  
Kel. Kuningan Timur, Kec. Setiabudi, Kota Adm.  
Jakarta Selatan, Prov. DKI Jakarta. - Indonesia  
Tel. +62 2129222850