

HeatWave™ SERIES



FEATURES

- High grade butyl diaphragm
- Two part polyurethane, epoxy primed paint finish
- Leak free, o-ring sealed air valve cap
- Comprehensive testing
- ISO:9001, GOST, CE/PED approved

HeatWave™ tanks are the quality solution for hydronic expansion. HeatWave™ tanks are built to the same stringent standards as the PressureWave™ and Challenger™ tanks.

With an incorporated hex nut system connection, HeatWave™ tanks are easy to install. Its air chamber sealed with a brass air valve and o-ring sealed air cap will provide many years of leak free and service free life. Its two part polyurethane, epoxy primed paint finish will withstand the harshest indoor and outdoor climates throughout the world. HeatWave™ tanks are quality tested at several stages on the production line to insure the structural integrity of every tank.

The HeatWave™ expansion tank is designed to be either supported by the system piping, the wall mounting bracket (inline models) or freestanding (vertical models w/ base).

The expansion tank, pipes and your connections if installed incorrectly could leak water. Install the expansion tank in a location where any water leak will not cause damage. The manufacturer is not responsible for any water damage in connection with this expansion tank.

SPECIFICATIONS

HeatWave™ Series Models

Model Numbers	Nominal Volume		Shipping (box) Volume		Shipping (box) Weight		Dimensions					
	liter	gal	m ³	ft ³	kg	lbs	A		B		C	
							cm	inches	cm	inches	cm	inches
Inline Models												
HWB-2LX*	2	0.5	0.055	1.94	12.39	27.31	20.55	8.09	12.60	4.96		
HWB-4LX	4	1.1	0.01	0.35	1.62	3.57	26.05	10.26	16.2	6.38		
HWB-8LX	8	2.1	0.016	0.57	2.00	4.41	30.95	12.18	20.20	7.95		
HWB-12LX	12	3.2	0.023	0.81	2.70	5.95	36.40	14.33	23.00	9.06		
HWB-18LX	18	4.8	0.029	1.02	3.40	7.50	36.40	14.45	27.90	11.20		
HWB-24LX	24	6	0.042	1.48	4.30	9.48	44.40	17.48	29.00	11.42		
HWB-35LX	35	9.2	0.058	2.05	6.66	14.68	47.80	18.82	31.80	12.50		
Vertical Models w/ base												
HWB-60LV	60	14	0.102	3.60	10.26	22.62	57.60	22.68	38.90	15.31	16.00	6.30
HWB-80LV	80	20	0.134	4.73	14.02	30.91	77.10	30.35	38.90	15.31	16.00	6.30
HWB-100LV	100	26.4	0.168	5.93	18.77	41.38	80.40	31.65	43.00	16.90	12.90	5.08
HWB-130LV	130	34.3	0.21	7.41	26.70	58.86	107.40	42.28	43.00	16.90	12.90	5.08
HWB-150LV	150	40	0.28	9.89	33.30	73.41	92.80	36.54	53.00	20.87	13.85	5.45

Factory pre-charge: HWB-2LX - HWB-24LX 0.7 bar/ 10 psi ; HWB-35LX 1 bar/15 psi ;
 HWB-60LV-HWB-150LV 1.5 bar/ 22 psi

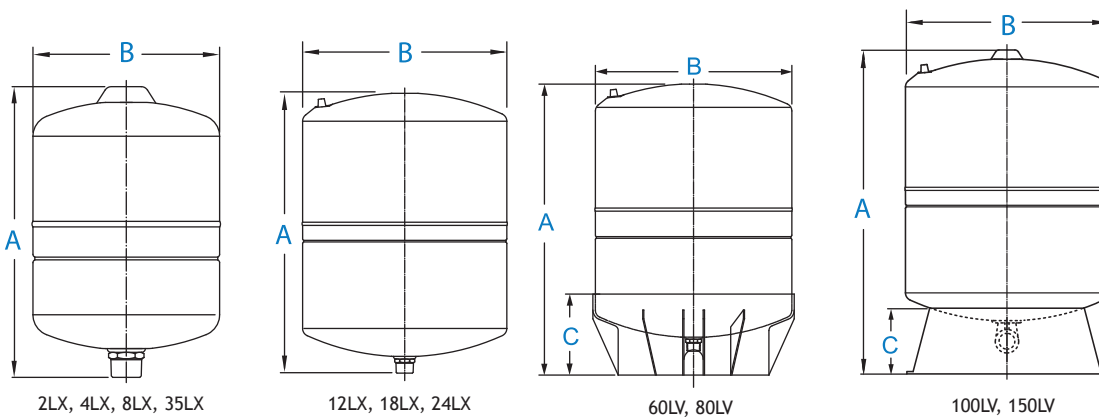
Note: Minor dimensional variation may occur

Maximum Working Temperature: 99°C / 210°F

Maximum working pressure 6 bar / 87 psi

System Connection: HWB-2LX - HWB-80LV chromed carbon steel 3/4" BSP inline ; HWB-100LV - HWB-150LV stainless steel 1" BSP Elbow

* HWB-2LX: 12 pcs / box



ISO:9001 CE

