

NKM-GE / NKP-GE

STANDARDISED MONOBLOC CENTRIFUGAL ELECTRIC PUMPS WITH INVERTER

MCE-C

FOR CIRCULATION
SYSTEMS

MCE-P

FOR PRESSURIZATION
SYSTEMS



TECHNICAL DATA

Rotation speed: 1450 - 2900 1/min.

Operating range:

from 1 to 470 m³/h with head up to 72 metres.

Liquid temperature range:

from -10 °C to +140 °C (MCE/C)

from -10 °C to +80 °C (MCE/P)

Pumped liquid: clean, free of solids and abrasives, non-viscous, non-aggressive, non-crystallised and chemically neutral, with properties similar to water.

Installation: normally in horizontal or vertical position, provided that the motor is always above the pump.

Maximum ambient temperature: +40 °C.

Maximum operating pressure:

16 bar - 1600 kPa (for DN 200 max 10 bar).

Insulation class: F.

Flanging: PN 16 DIN 2533.

APPLICATIONS

Standardised centrifugal electronic pumps on base with elastic coupling, designed for a wide range of applications, such as:

MCE/C: Circulation of the hot water of the heating system, of the cold water of the air conditioning and refrigeration systems.

MCE/P: Pressure increase, supply of drinking water and sprinkler and watering systems.

CONSTRUCTION FEATURES OF THE PUMP

Cast iron single stage spiral body complying with DIN-EN 733 (formerly DIN 24255), cast iron support, flanges complying with DIN 2533, and DIN 2532 for DN 200. Cast iron impeller, closed and dynamically balanced, with compensation of the axial thrust through balancing holes, operation on interchangeable wear rings (on request). AISI 304 stainless steel pump shaft. Seal device: standardised mechanical seal according to DIN 24960 in carbon/silicon carbide with EPDM OR rings.

CONSTRUCTION FEATURES OF THE MOTOR

Closed asynchronous type motor with external ventilation, B3/B5 construction, two poles for NKP-GE and four poles for NKM-GE. Rotor running on ball bearings, largely oversized to ensure low noise and durability. For liquids with densities higher than water, motors with proportionally higher powers are required.

Construction according to CEI 2-3.

Controlled by MCE inverter.

Protection class: IP 55

Standard single-phase voltage: 1x230 V / 50-60 Hz

Special version on request: three-phase 3x400 V / 50 Hz or three-phase 3x460 V / 60 Hz

Standard three-phase voltage: 3x400 V / 50 Hz

Special version on request: 3x460 V / 60 Hz

MCE/C INVERTER

CONSTRUCTION FEATURES OF THE ELECTRONICS: MCE/C INVERTER

MCE/C inverters have been designed for managing circulation pumps. By allowing a simple adjustment of the differential pressure, they give the possibility of adjusting the performance of the circulation pump to the actual system requirements. They are fitted on the fan cover of the motor. This makes the installation of the pump with MCE/C particularly easy and quick. The protection class of the MCE/C is IP55. The easy of programming is guaranteed by the use of a simple and intuitive interface, similar to Dialogue electronic circulators, and a graphic display. MCE/C inverters have a double micro-processor construction that guarantees maximum efficiency and reliability.

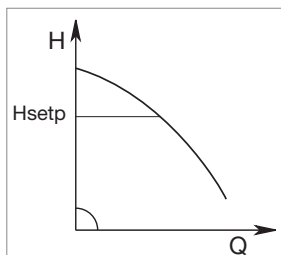
MCE/C inverters protect the motor and the pump, and increase their life, by eliminating hammering effects and making the pump rotate at the minimum number of rotations capable of meeting the requirements of the user. In addition, electric pumps controlled by the MCE/C inverter are environmentally friendly. In fact, by ensuring that the pump only uses the power that is strictly necessary for meeting the needs of the users, electricity consumption is strongly reduced when compared with fixed speed pumps. It is possible to create twin units by using the appropriate cable for the connection of MCE/C inverters.

MODES OF OPERATION

All the functions listed below can be consulted by the users (including less experienced ones) by simply scrolling through the MCE/C menu. The calibration and the modification of the parameters are protected, and can only be completed by expert users.

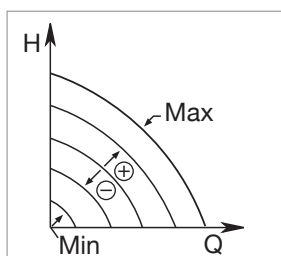
1 - ΔP -c constant differential pressure adjustment mode

The ΔP -c adjustment mode keeps the differential pressure of the system constantly at the H (setp) value set, even in case of variation of the flow rate. This is the standard adjustment used. It can be set directly from the MCE/C control panel. The inverter keeps the differential pressure (H setp) constant even in case of flow variation.



This adjustment is particularly indicated for the following systems:

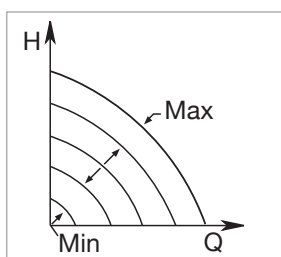
- a. two-pipe heating systems with thermostat valves
- b. underfloor heating systems with thermostat valves
- c. single-pipe heating systems with thermostat valves and calibration valves
- d. systems with primary circuit pumps



2 - Constant curve adjustment modes

2.1 - Constant curve adjustment

The rotation speed is kept at a constant number of revolutions. This rotation speed can be set between a minimum value and the nominal frequency of the circulation pump (e.g. between 15 Hz and 50 Hz). This mode can be set using the control panel on the MCE cover.

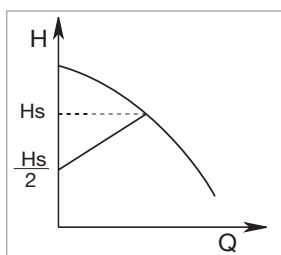


2.2 - Adjustment of the constant curve with external analogue signal

The rotation speed is kept at a constant number of revolution in proportion with the voltage of the external analogue signal.

The rotation speed changes in a linear way, between the nominal frequency of the pump when $V_{in} = 10$ V, and the minimum frequency when $V_{in} = 0$ V.

This mode can be set using the control panel on the MCE cover.



3 - ΔP -v * proportional differential pressure adjustment mode

With ΔP -v adjustment mode, with the variation of the flow rate, the value of the delivery of the head also varies in a linear manner, from Hsetp to Hsetp/2.

* in order to know the availability of the function on specific models contact our customer service.

For more information refer to the technical appendix.

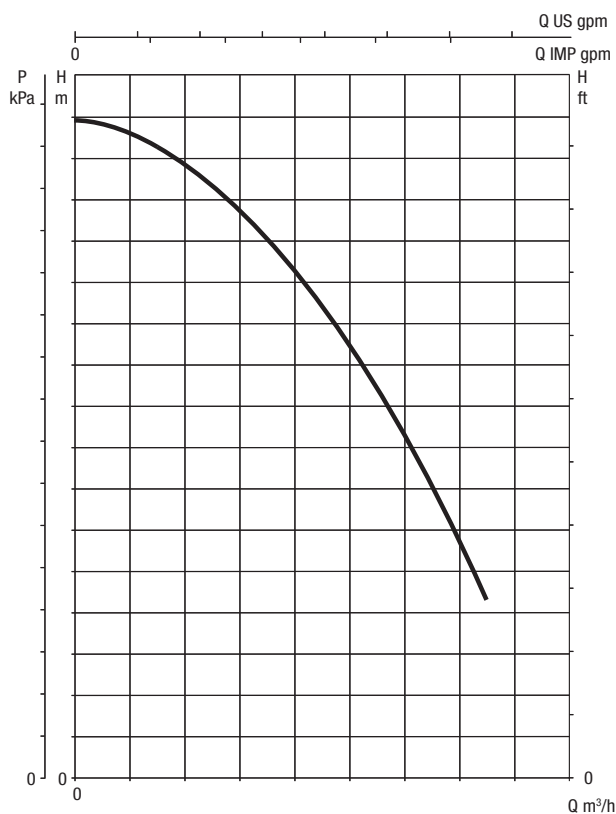


MCE/P INVERTER

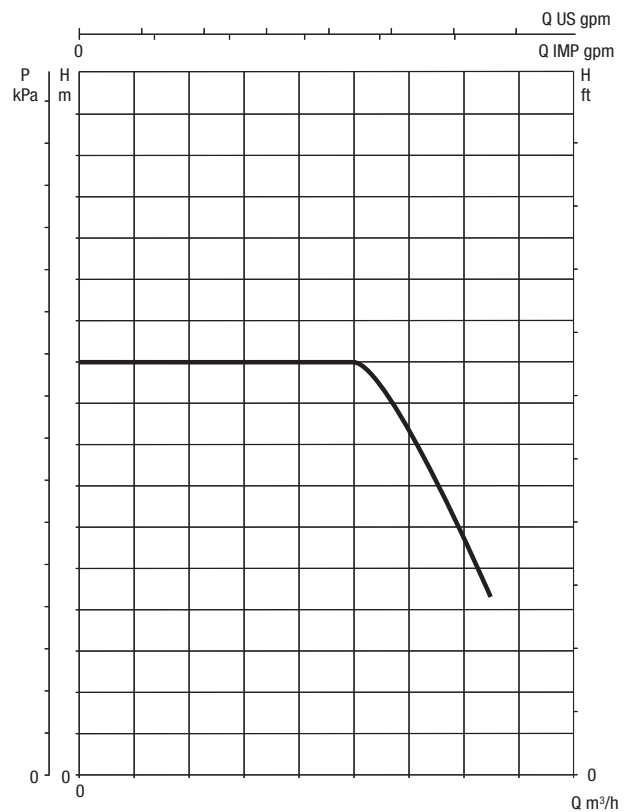
CONSTRUCTION FEATURES OF THE ELECTRONICS: MCE/P INVERTER

The inverter continuously adjusts the rotation speed of the electric pump, keeping the pressure constant, even when the flow rate varies. The other electric pumps, also with variable speed, are activated in cascade after the first one has reached maximum speed. Through modulation, they compensate the pressure fluctuations of the system. For every operating cycle, it is possible to switch the restart to a different pump, therefore ensuring even use of all electric pumps. It is possible to set operation times for each individual pump, switching to another pump after such set times. The "SP" pressure can be adjusted by the user using the "+" and "-" keys found on the MCE/P (as a rule, all the pumps are set to the same pressure value). With the new MCE/P, it is sufficient to set the data on one of the devices, and it will be automatically propagated to the other pumps of the system.

MODES OF OPERATION



PERFORMANCE CURVES WITHOUT INVERTER



PERFORMANCE CURVES WITH INVERTER

The inverter is capable of maintaining a constant pressure even when the flow rate varies. The operating pressure can be adjusted by the user. A good pressure set-point is between 1/3 and 2/3 of the maximum head of the electric pump. In this way, high efficiency of the pump is maintained, together with maximum saving. In addition, the MCE/P does not block the pump if the pressure is not reached, but the flow is present. This prevents service interruptions in case of high flows.

For more information refer to the technical appendix.

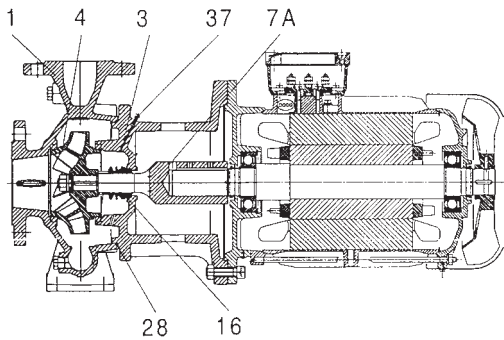
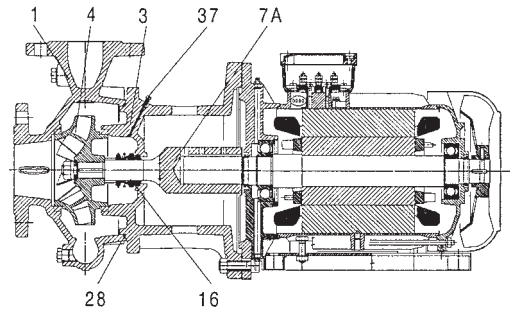
NKM-GE / NKP-GE

STANDARDISED MONOBLOC CENTRIFUGAL ELECTRIC PUMPS WITH INVERTER

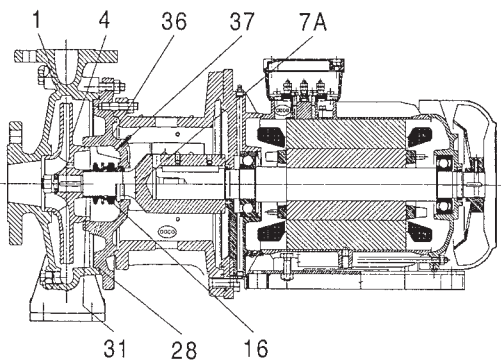
MATERIALS

N.	PARTS	MATERIALS (standard version)
1	PUMP BODY	CAST IRON 250 UNI ISO 185
3	SUPPORT	CAST IRON 250 UNI ISO 185
4	IMPELLER	CAST IRON 250 UNI ISO 185
7A	PUMP SHAFT	AISI 304 STAINLESS STEEL - UNI 6900/71
16	MECHANICAL SEAL	CARBON/SILICON CARBIDE - EPDM
28	OR RING	EPDM
31	SEAL SPACER	AISI 304 STAINLESS STEEL - UNI 6900/71
36	SEAL HOLDING DISC	CAST IRON 250 UNI ISO 185
37	BLEED COCK	AISI 304 STAINLESS STEEL - UNI 6900/71

N.	PARTS	MATERIALS (version on request)
4	IMPELLER	BRONZE GCuSn5Zn5Pb5 UNI 7013/8a-72
16	MECHANICAL SEAL	SILICON CARBIDE/SILICON CARBIDE - EPDM SILICON CARBIDE/SILICON CARBIDE - VITON CARBON/SILICON CARBIDE - VITON

VERSION WITH MOTOR UP TO 7,5 KW INCLUDED**VERSION WITH MOTOR OVER 7,5 KW****VERSION FOR MODELS:**

NKM-G 65-315/309/11/4, NKM-G125-250/243/15/4,
NKM-G 80-250/270/11/4, NKM-G 80-315/305/15/4,
NKM-G 80-315/334/22/4, NKM-G 100-250/250/11/4,
NKM-G 150-200/218/11/4



NKM-GE - 4 POLES

STANDARDISED MONOBLOC CENTRIFUGAL ELECTRIC PUMPS WITH INVERTER

SELECTION TABLE - NKM-GE 32

MODEL	Q=	0	6	12	18	24	30	36	42	48	54	60	66	72	78	84	90	102	114
	m ³ /h	0	100	200	300	400	500	600	700	800	900	1000	1100	1200	1300	1400	1500	1700	1900
	Q=	H (m)																	
	l/min																		
NKM-GE 32-125.1/140/0.25/4		6.2	5.8	4.2															
NKM-GE 32-125/142/ 0.37/4		7	6.75	5.85	4.2														
NKM-GE 32-160.1/169/0.37/4		8.9	8.2	4.6															
NKM-GE 32-160/169/0.55/4		9.4	9	7.9	5.6														
NKM-GE 32-200.1/200/0.55/4		12.7	11.2	7.2															
NKM-GE 32-200/219/ 1,1 /4		16	15.4	14.3	12.2														

SELECTION TABLE - NKM-GE 40

MODEL	Q=	0	6	12	18	24	30	36	42	48	54	60	66	72	78	84	90	102	114
	m ³ /h	0	100	200	300	400	500	600	700	800	900	1000	1100	1200	1300	1400	1500	1700	1900
	Q=	H (m)																	
	l/min																		
NKM-GE 40-125/142/ 0.55/4		6.6	6.5	6.2	5.7	4.8													
NKM-GE 40-160/166/ 0.75/4		9.2	9.2	9	8.4	7.4	5.7												
NKM-GE 40-200/219/ 1,5 /4		15.6	15.6	15.3	14.7	13.4	11.8	9.8											
NKM-GE 40-250/245/ 2,2 /4		20.6	20.5	20.1	19.2	17.8	16												
NKM-GE 40-250/260/ 3 /4		23.3	23.1	22.8	22.2	20.8	19												

SELECTION TABLE - NKM-GE 50

MODEL	Q=	0	6	12	18	24	30	36	42	48	54	60	66	72	78	84	90	102	114
	m ³ /h	0	100	200	300	400	500	600	700	800	900	1000	1100	1200	1300	1400	1500	1700	1900
	Q=	H (m)																	
	l/min																		
NKM-GE 50-125/141/ 0.75/4		6.5		6.3	6.1	5.8	5.5	5	4.5	3.9									
NKM-GE 50-160/177/ 1,5 /4		10.7		10.7	10.7	10.5	10.2	9.8	9.2	8.3									
NKM-GE 50-200/219/ 3 /4		16.8		16.8	16.5	16.1	15.5	14.6	13.6	12.4	10.9								
NKM-GE 50-250/263/ 4 /4		23.8		23.8	23.8	23.4	22.7	21.6	20.4	19	17.1								

SELECTION TABLE - NKM-GE 65

MODEL	Q=	0	6	12	18	24	30	36	42	48	54	60	66	72	78	84	90	102	114
	m ³ /h	0	100	200	300	400	500	600	700	800	900	1000	1100	1200	1300	1400	1500	1700	1900
	Q=	H (m)																	
	l/min																		
NKM-GE 65-125/144/ 1,1 /4		6.5		6.4	6.4	6.3	6.2	6	5.75	5.5	5.1	4.65	4.2	3.75					
NKM-GE 65-160/153/ 1,1 /4		7.4		7.4	7.3	7.15	6.9	6.65	6.25	5.8	5.3	4.4							
NKM-GE 65-160/177/ 2,2 /4		10.5				10.4	10.3	10.2	9.9	9.6	9.2	8.75	8.2	7.4	6.6				
NKM-GE 65-200/210/ 3 /4		15.3				15.2	15.2	15.1	14.6	14.1	13.5	12.9	12.2	11.3					
NKM-GE 65-200/219/ 4 /4		17				17	16.9	16.8	16.4	16.2	15.8	15.2	14.3	13.8	12.6				
NKM-GE 65-250/263/ 5,5 /4		24.1				23.8	23.6	23.3	22.8	22.3	21.5	20.8	19.7	18.6	17.3				
NKM-GE 65-315/279/ 7,5 /4		27							26	25.5	25	24.5	23.6	22.7	21.5	20.2	19		
NKM-GE 65-315/309/11 /4		34.2							33.2	33	32.5	32	31.5	30.7	29.8	29	28	25	21.7

NKM-GE - 4 POLES

STANDARDISED MONOBLOC CENTRIFUGAL ELECTRIC PUMPS WITH INVERTER

SELECTION TABLE - NKM-GE 80

MODEL	Q=	0	30	36	42	48	54	60	66	72	78	84	90	102	114	120	150	180	210	240	270	300	330	360	390	420	
	m ³ /h Q= l/min	0	500	600	700	800	900	1000	1100	1200	1300	1400	1500	1700	1900	2000	2500	3000	3500	4000	4500	5000	5500	6000	6500	7000	
NKM-GE 80-160/163/ 2,2 /4	H (m)	8.65	8.5	8.45	8.3	8.15	7.9	7.7	7.4	7.2	6.9	6.65	6.3	5.7	4.9	4.6											
NKM-GE 80-160/177/ 3 /4		10.2	10.2	10.1	10	9.9	9.75	9.65	9.5	9.25	9	8.8	8.6	7.9	7.2	6.7											
NKM-GE 80-200/222/ 5,5 /4		16.6			16.5	16.5	16.4	16.2	16.1	16	15.7	15.4	15	14.3	13.3	12.7											
NKM-GE 80-250/240/ 7,5 /4		20.4			20.3	20.3	20.2	20.1	20	19.9	19.8	19.5	19	18	16.7	16											
NKM-GE 80-250/270/11 /4		25.6			25.5	25.5	25.4	25.1	25	24.8	24.6	24.2	24	23	21.5	21											
NKM-GE 80-315/305/15 /4		32.9					32.7	32.6	32.6	32.5	32.4	32	31.6	30.5	29.5	28.9	24										

SELECTION TABLE - NKM-GE 100

MODEL	Q=	0	30	36	42	48	54	60	66	72	78	84	90	102	114	120	150	180	210	240	270	300	330	360	390	420	
	m ³ /h Q= l/min	0	500	600	700	800	900	1000	1100	1200	1300	1400	1500	1700	1900	2000	2500	3000	3500	4000	4500	5000	5500	6000	6500	7000	
NKM-GE 100-200/200/ 5,5 /4	H (m)	12.7						12.6	12.6	12.5	12.5	12.4	12.3	12	11.5	11.4	10.1	8.5									
NKM-GE 100-200/214/ 7,5 /4		15.6						15.4	15.4	15.3	15.2	15.1	15	14.7	14.5	14.3	13.3	11.6	9.8								
NKM-GE 100-250/250/11 /4		21.1						21	21	21	21	21	21	20.9	20	19.8	18	16									
NKM-GE 100-250/270/15 /4		25.5						25.5	25.5	25.5	25.3	25.1	25.1	25	24.5	24	22.5	20.5	17.5								

SELECTION TABLE - NKM-GE 125

MODEL	Q=	0	30	36	42	48	54	60	66	72	78	84	90	102	114	120	150	180	210	240	270	300	330	360	390	420
	m ³ /h Q= l/min	0	500	600	700	800	900	1000	1100	1200	1300	1400	1500	1700	1900	2000	2500	3000	3500	4000	4500	5000	5500	6000	6500	7000
NKM-GE 125-250/243/15 /4	H (m)	19.5												19.3	19.3	19.2	19.2	18.7	17.8	16.8	15.5	14.1	12.5	10.9		

SELECTION TABLE - NKM-GE 150

MODEL	Q=	0	30	36	42	48	54	60	66	72	78	84	90	102	114	120	150	180	210	240	270	300	330	360	390	420
	m ³ /h Q= l/min	0	500	600	700	800	900	1000	1100	1200	1300	1400	1500	1700	1900	2000	2500	3000	3500	4000	4500	5000	5500	6000	6500	7000
NKM-GE 150-200/218/11 /4	H (m)	13.2												13.1	13	13	12.8	12.5	12.1	11.5	11	10.4	9.7	9	8	7

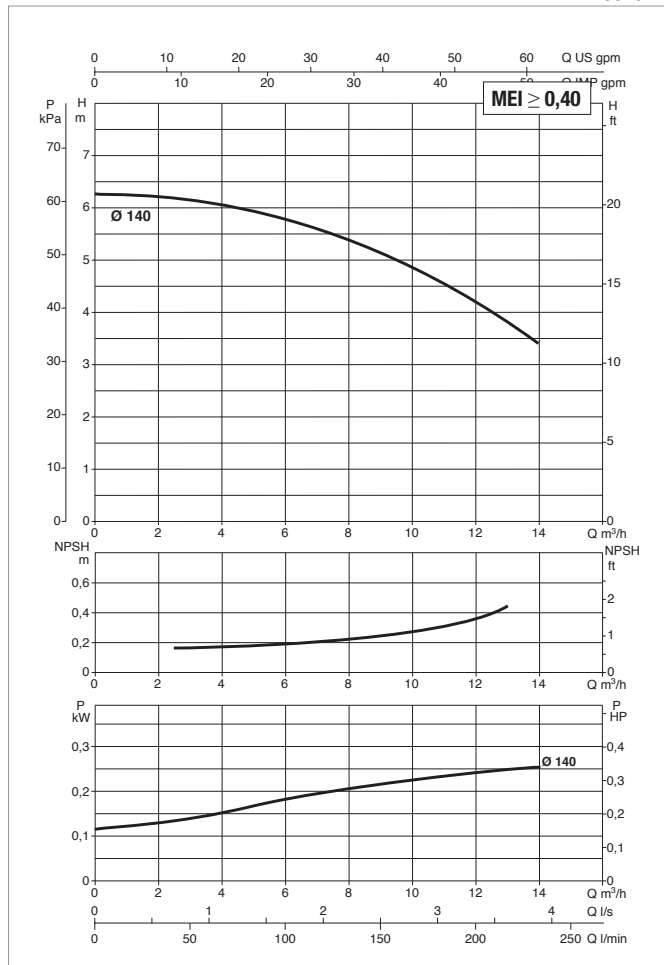
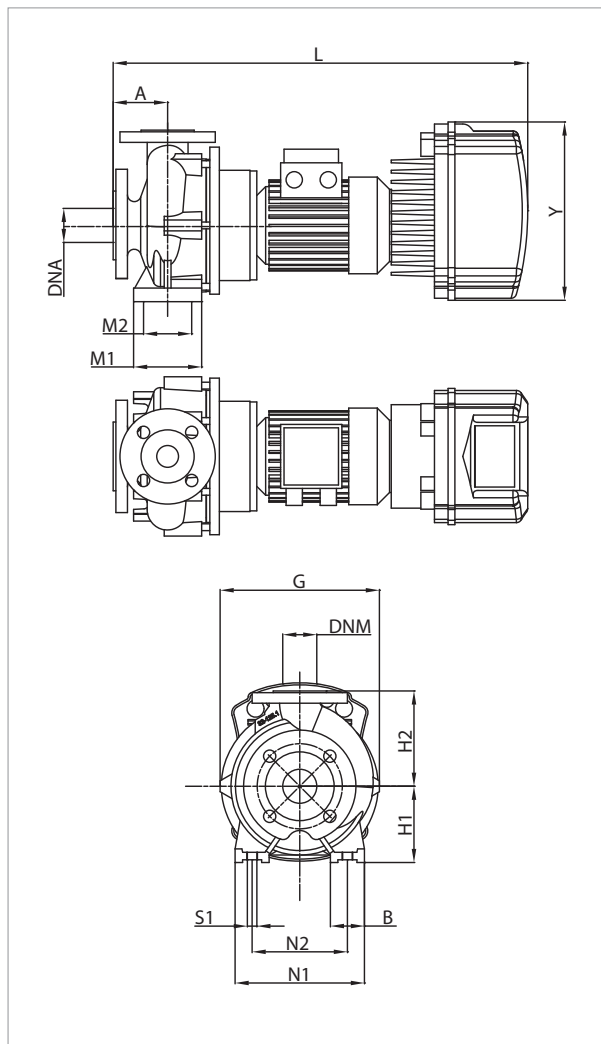
NKM-GE 32-125.1 - STANDARDISED MONOBLOC CENTRIFUGAL ELECTRIC PUMPS

WITH INVERTER FOR CIRCULATION SYSTEMS

Pumped liquid temperature range: from -10 °C to +140 °C (MCE/C) - Maximum ambient temperature: +40 °C



≈ 1450 1/min



See hydraulic efficiency details on page 241.

The performance curves are based on kinematic viscosity values = 1 mm²/s and density equal to 1000 kg/m³. Curve tolerance according to ISO 9906.

MODEL	MCE MODEL	POWER INPUT 50 Hz	P2 NOMINAL		In A
			kW	HP	
NKM-GE 32-125.1/140/A/BAQE/0.25/4 M MCE11/C	MCE11/C	1 x 230 ~V	0,25	0,33	4,7

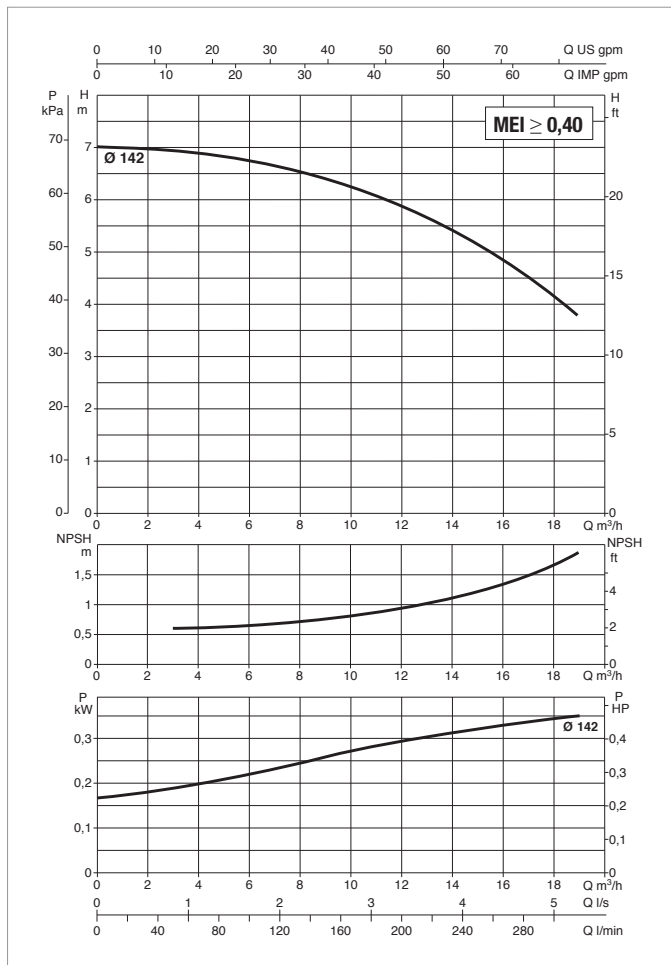
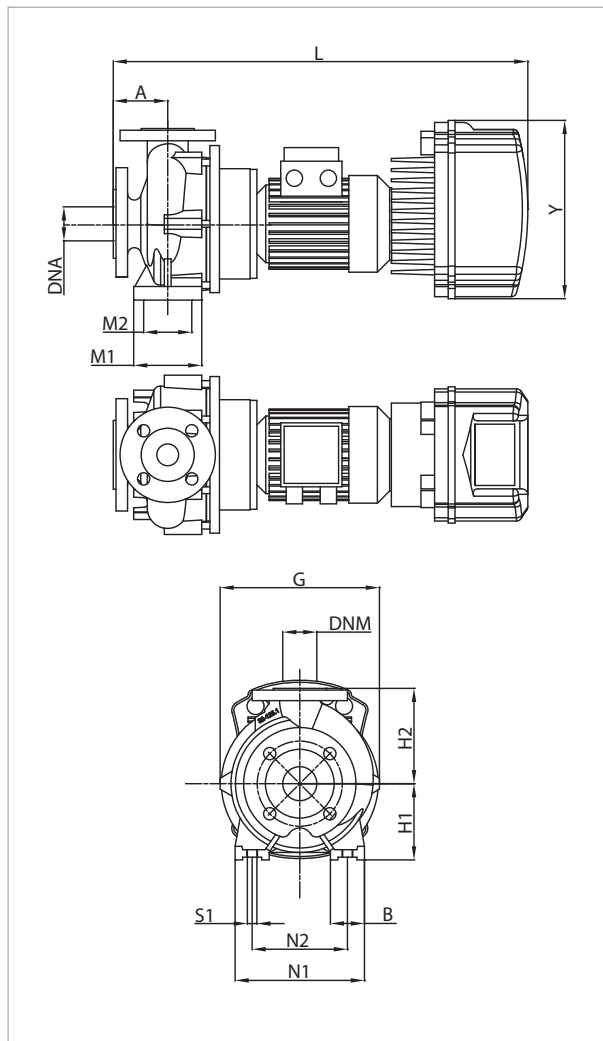
MODEL	A	B	G	H1	H2	L	M1	M2	N1	N2	S1	X	Y	PACKING DIMENSIONS			WEIGHT kg
														L/A	L/B	H	
NKM-GE 32-125.1/140/A/BAQE/0.25/4 M MCE11/C	80	50	234	112	140	609	100	70	190	140	M10	100	262	850	500	660	36

NKM-GE 32-125 - STANDARDISED MONOBLOC CENTRIFUGAL ELECTRIC PUMPS WITH INVERTER FOR CIRCULATION SYSTEMS



Pumped liquid temperature range: from -10 °C to +140 °C (MCE/C) - Maximum ambient temperature: +40 °C

≅ 1450 1/min



See hydraulic efficiency details on page 241.

The performance curves are based on kinematic viscosity values = 1 mm²/s and density equal to 1000 kg/m³. Curve tolerance according to ISO 9906.

MODEL	MCE MODEL	POWER INPUT 50 Hz	P2 NOMINAL		In A
			kW	HP	
NKM-GE 32-125/142/A/BAQE/0.37/4 M MCE11/C	MCE11/C	1 x 230 ~V	0,37	0,50	5,5

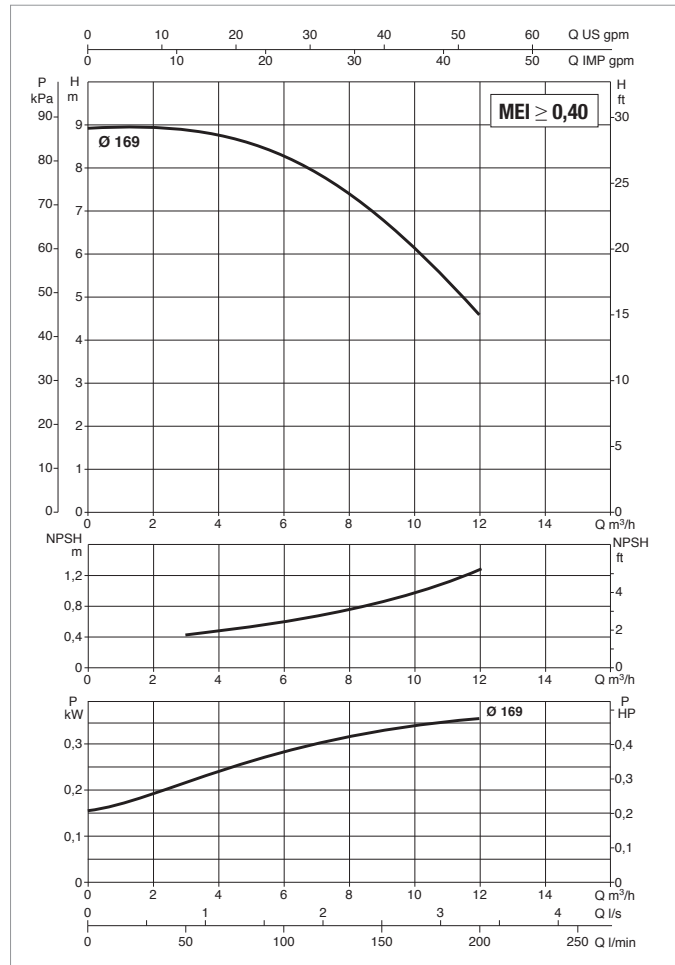
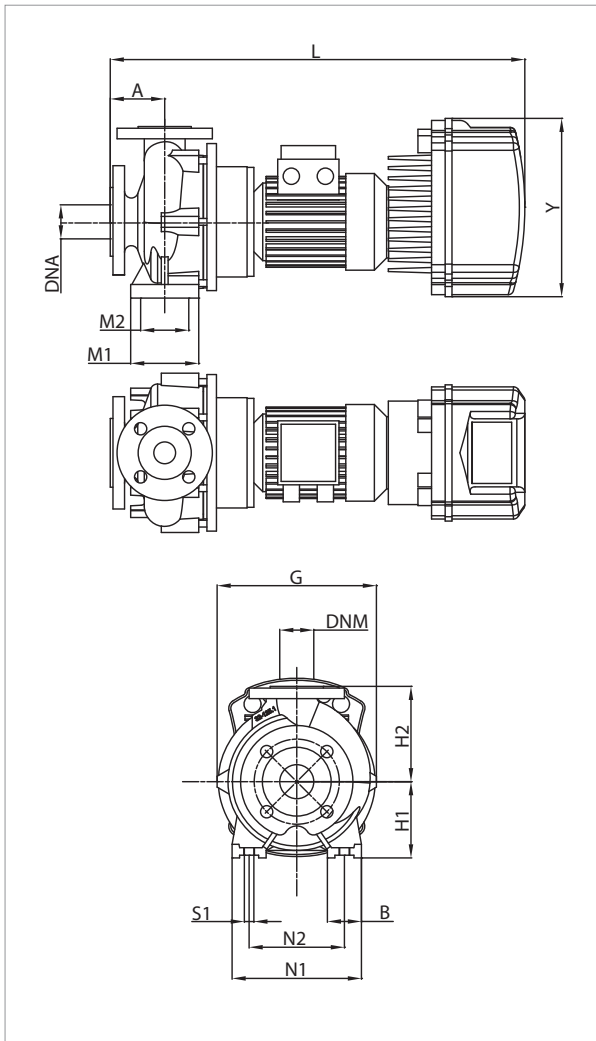
MODEL	A	B	G	H1	H2	L	M1	M2	N1	N2	S1	X	Y	PACKING DIMENSIONS			WEIGHT kg
														L/A	L/B	H	
NKM-GE 32-125/142/A/BAQE/0.37/4 M MCE11/C	80	50	234	112	140	609	100	70	190	140	M10	100	262	850	500	660	39

NKM-GE 32-160.1 - STANDARDISED MONOBLOC CENTRIFUGAL ELECTRIC PUMPS WITH INVERTER FOR CIRCULATION SYSTEMS



Pumped liquid temperature range: from -10 °C to +140 °C (MCE/C) - Maximum ambient temperature: +40 °C

≈ 1450 1/min



See hydraulic efficiency details on page 241.

The performance curves are based on kinematic viscosity values = 1 mm²/s and density equal to 1000 kg/m³. Curve tolerance according to ISO 9906.

MODEL	MCE MODEL	POWER INPUT 50 Hz	P2 NOMINAL		In A
			kW	HP	
NKM-GE 32-160.1/169/A/BAQE/0.37/4 M MCE11/C	MCE11/C	1 x 230 ~V	0,37	0,50	5,5

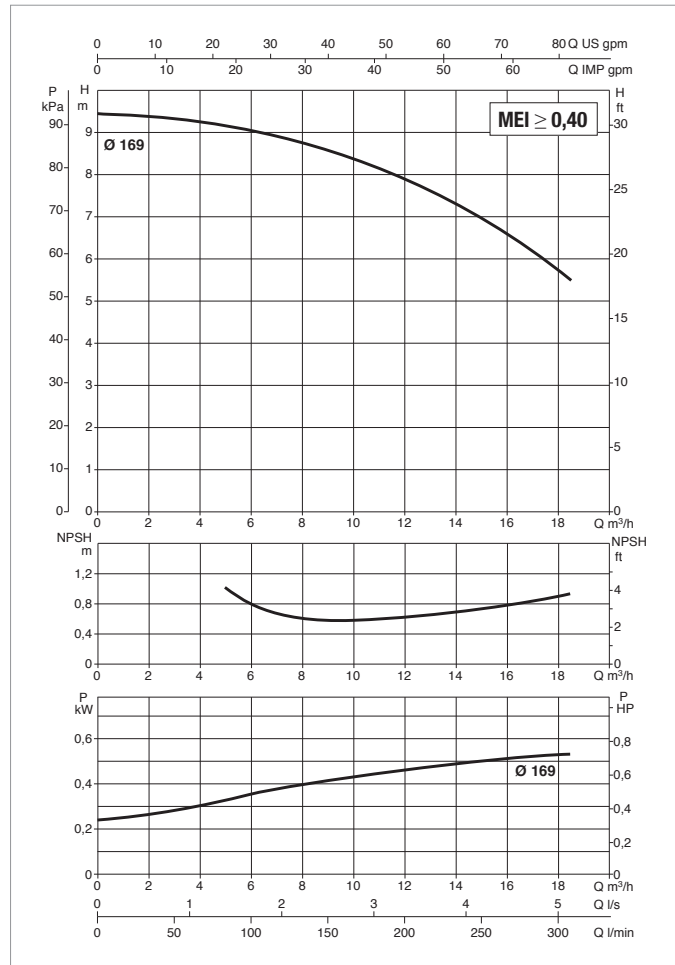
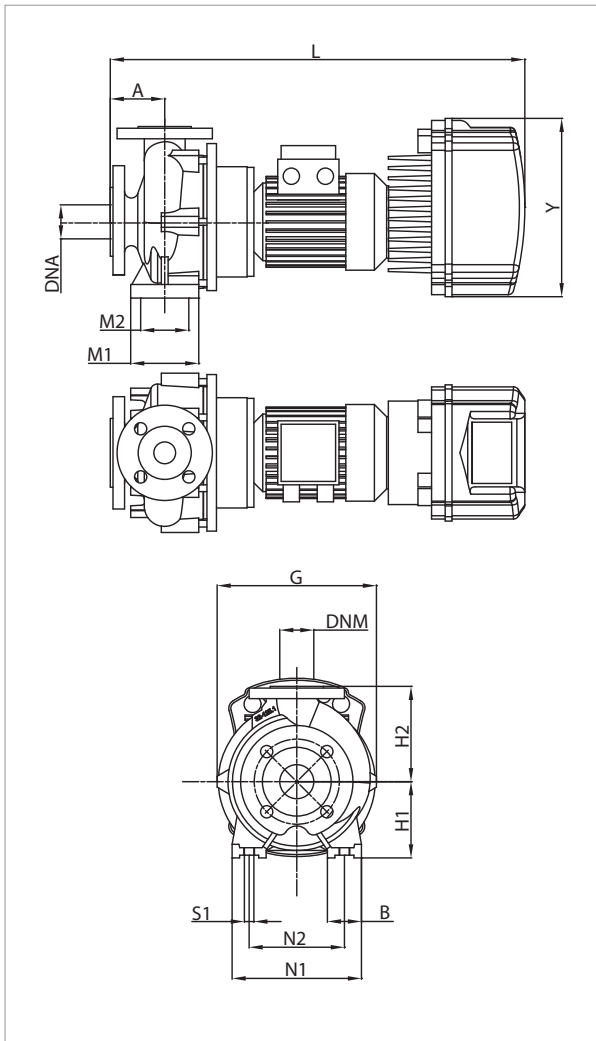
MODEL	A	B	G	H1	H2	L	M1	M2	N1	N2	S1	X	Y	PACKING DIMENSIONS			WEIGHT kg
														L/A	L/B	H	
NKM-GE 32-160.1/169/A/BAQE/0.37/4 M MCE11/C	80	50	245	132	160	609	100	70	240	190	M10	100	262	850	500	660	38

NKM-GE 32-160 - STANDARDISED MONOBLOC CENTRIFUGAL ELECTRIC PUMPS WITH INVERTER FOR CIRCULATION SYSTEMS



Pumped liquid temperature range: from -10 °C to +140 °C (MCE/C) - Maximum ambient temperature: +40 °C

≈ 1450 1/min



See hydraulic efficiency details on page 241.

The performance curves are based on kinematic viscosity values = 1 mm²/s and density equal to 1000 kg/m³. Curve tolerance according to ISO 9906.

MODEL	MCE MODEL	POWER INPUT 50 Hz	P2 NOMINAL		In A
			kW	HP	
NKM-GE 32-160/169/A/BAQE/0.55/4 M MCE11/C	MCE11/C	1 x 230 ~V	0,55	0,75	6,9

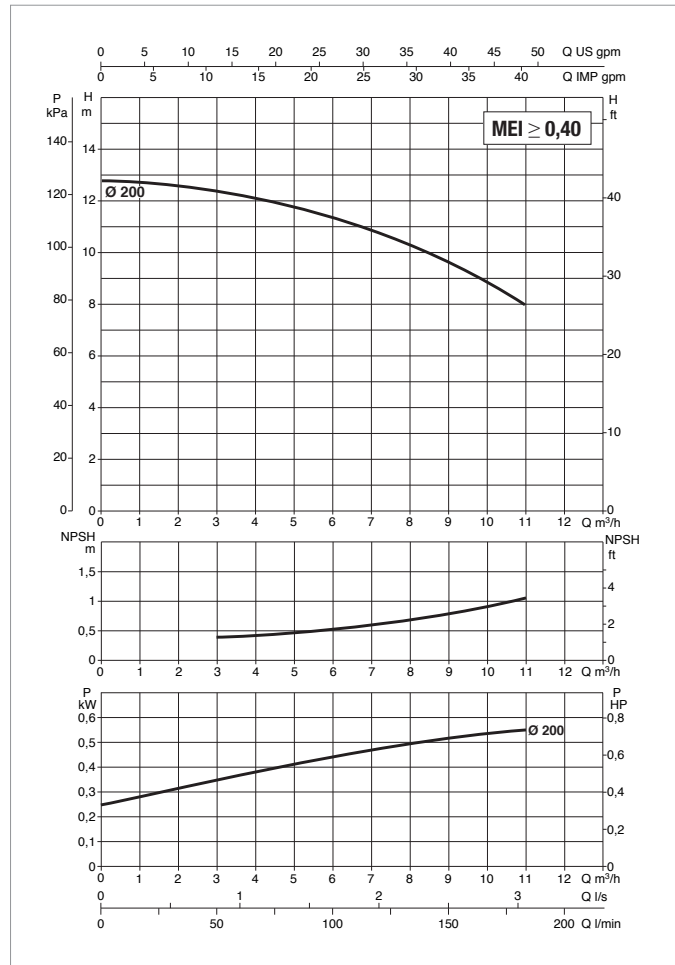
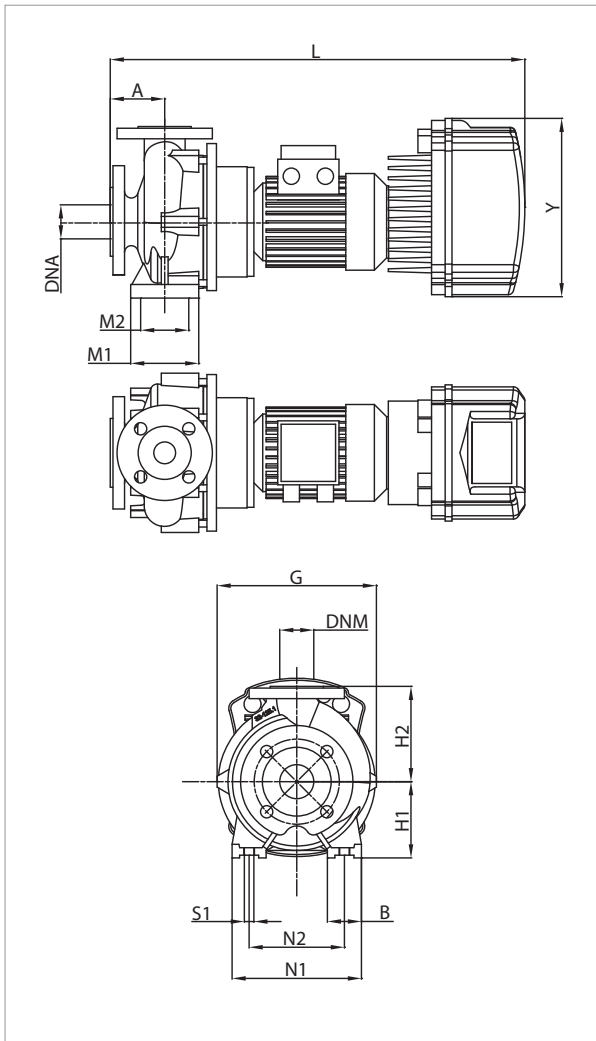
MODEL	A	B	G	H1	H2	L	M1	M2	N1	N2	S1	X	Y	PACKING DIMENSIONS			WEIGHT kg
														L/A	L/B	H	
NKM-GE 32-160/169/A/BAQE/0.55/4 M MCE11/C	80	50	245	132	160	660	100	70	240	190	M10	100	262	850	500	660	46

NKM-GE 32-200.1 - STANDARDISED MONOBLOC CENTRIFUGAL ELECTRIC PUMPS WITH INVERTER FOR CIRCULATION SYSTEMS



Pumped liquid temperature range: from -10 °C to +140 °C (MCE/C) - Maximum ambient temperature: +40 °C

≈ 1450 1/min



See hydraulic efficiency details on page 241.

The performance curves are based on kinematic viscosity values = 1 mm²/s and density equal to 1000 kg/m³. Curve tolerance according to ISO 9906.

MODEL	MCE MODEL	POWER INPUT 50 Hz	P2 NOMINAL		In A
			kW	HP	
NKM-GE 32-200.1/200/A/BAQE/0.55/4 M MCE11/C	MCE11/C	1 x 230 ~V	0,55	0,75	6,9

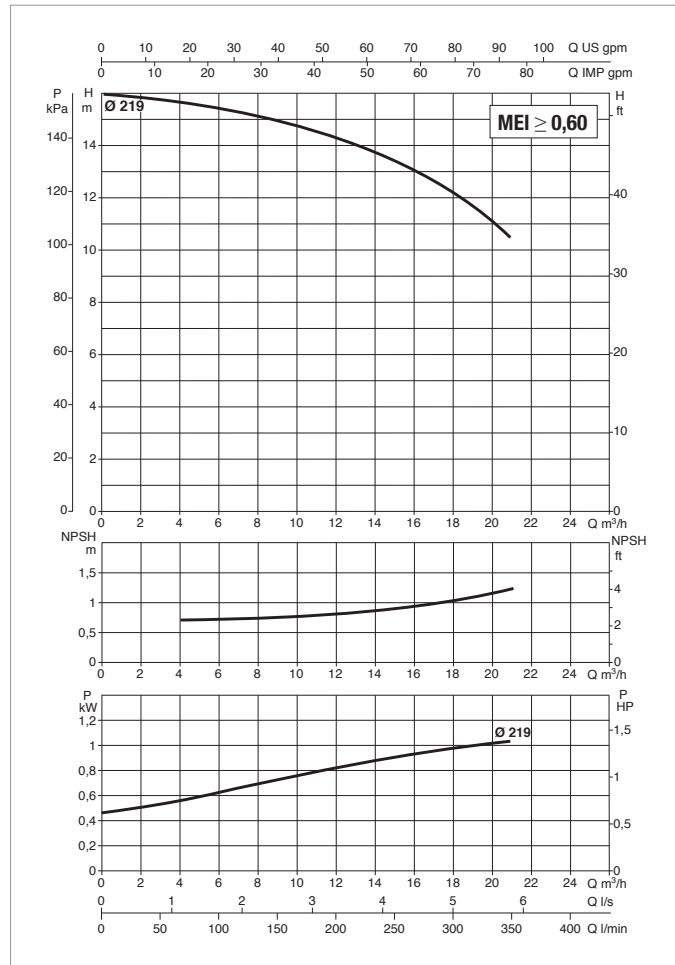
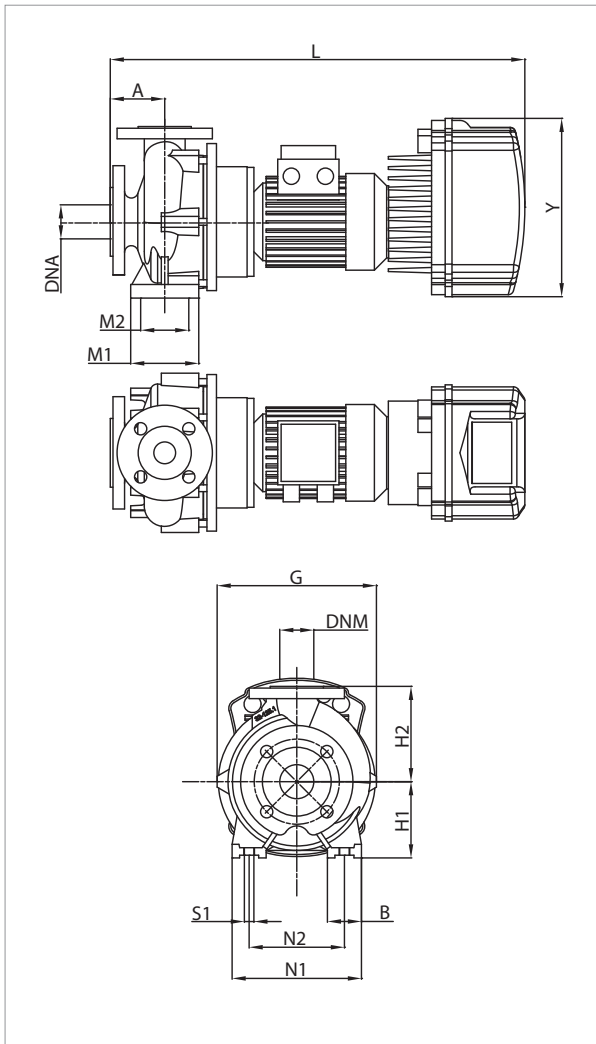
MODEL	A	B	G	H1	H2	L	M1	M2	N1	N2	S1	X	Y	PACKING DIMENSIONS			WEIGHT kg
														L/A	L/B	H	
NKM-GE 32-200.1/200/A/BAQE/0.55/4 M MCE11/C	80	50	279	160	180	660	100	70	240	190	M10	100	262	850	500	660	55

NKM-GE 32-200 - STANDARDISED MONOBLOC CENTRIFUGAL ELECTRIC PUMPS WITH INVERTER FOR CIRCULATION SYSTEMS



Pumped liquid temperature range: from -10 °C to +140 °C (MCE/C) - Maximum ambient temperature: +40 °C

≅ 1450 1/min



See hydraulic efficiency details on page 241.

The performance curves are based on kinematic viscosity values = 1 mm²/s and density equal to 1000 kg/m³. Curve tolerance according to ISO 9906.

MODEL	MCE MODEL	POWER INPUT 50 Hz	P2 NOMINAL		In A
			kW	HP	
NKM-GE 32-200/219/A/BAQE/1.1/4 M MCE11/C	MCE11/C	1 x 230 ~V	1,10	1,50	10,4
NKM-GE 32-200/219/A/BAQE/1.1/4 T MCE30/C	MCE30/C	3 x 400 ~V	1,10	1,50	3,2

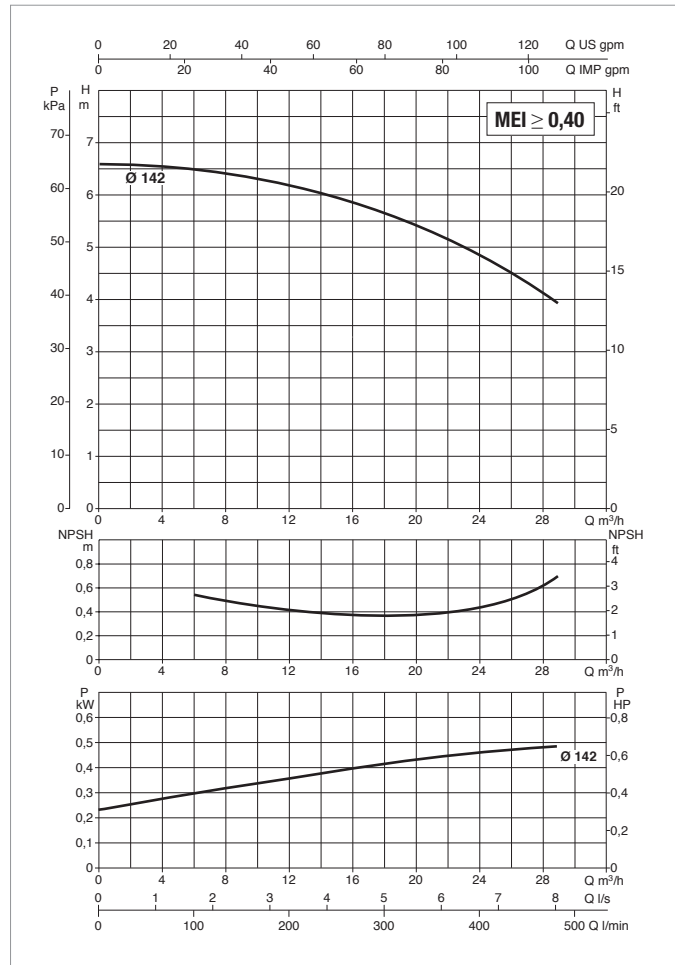
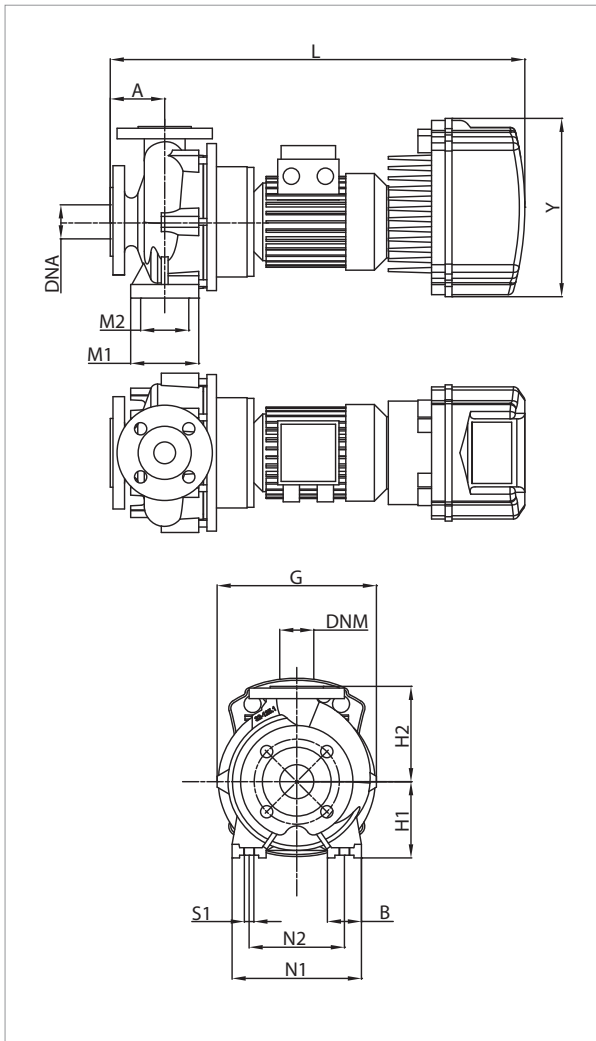
MODEL	A	B	G	H1	H2	L	M1	M2	N1	N2	S1	X	Y	PACKING DIMENSIONS			WEIGHT kg
														L/A	L/B	H	
NKM-GE 32-200/219/A/BAQE/1.1/4 M MCE11/C	80	50	279	160	180	673	100	70	240	190	M10	100	262	850	500	660	66
NKM-GE 32-200/219/A/BAQE/1.1/4 T MCE30/C	80	50	279	160	180	740	100	70	240	190	M10	100	353	850	500	660	68,6

NKM-GE 40-125 - STANDARDISED MONOBLOC CENTRIFUGAL ELECTRIC PUMPS WITH INVERTER FOR CIRCULATION SYSTEMS



Pumped liquid temperature range: from -10 °C to +140 °C (MCE/C) - Maximum ambient temperature: +40 °C

≅ 1450 1/min



See hydraulic efficiency details on page 241.

The performance curves are based on kinematic viscosity values = 1 mm²/s and density equal to 1000 kg/m³. Curve tolerance according to ISO 9906.

MODEL	MCE MODEL	POWER INPUT 50 Hz	P2 NOMINAL		In A
			kW	HP	
NKM-GE 40-125/142/A/BAQE/0.55/4 M MCE11/C	MCE11/C	1 x 230 ~V	0,55	0,75	6,9

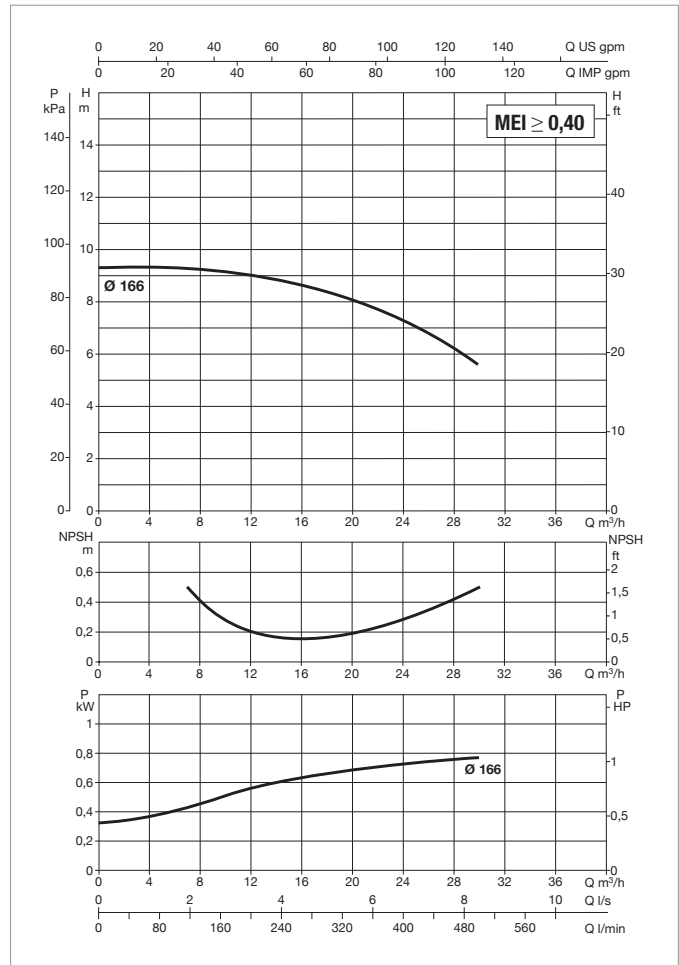
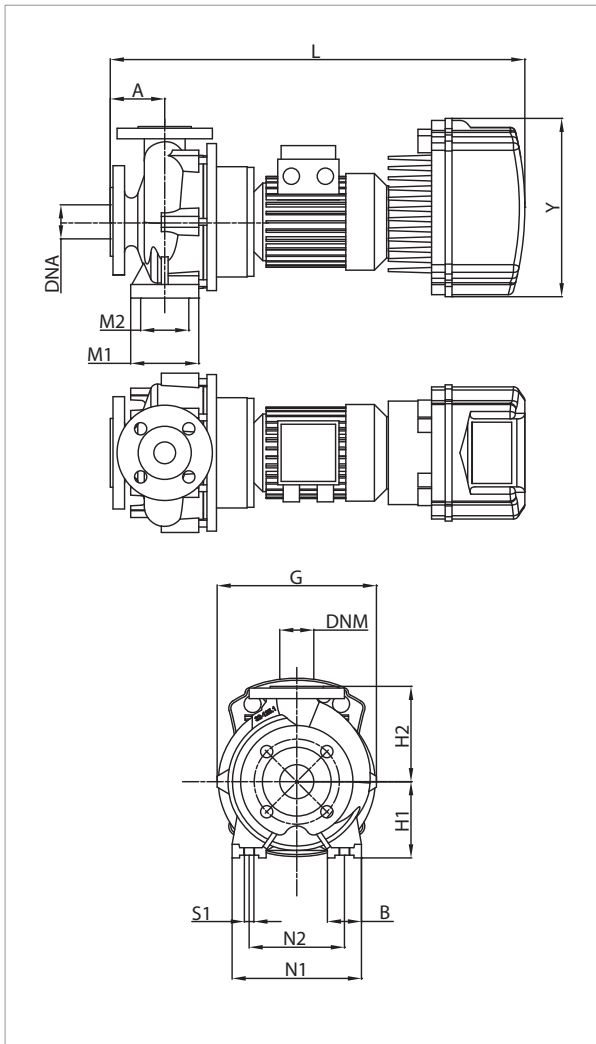
MODEL	A	B	G	H1	H2	L	M1	M2	N1	N2	S1	X	Y	PACKING DIMENSIONS			WEIGHT kg
														L/A	L/B	H	
NKM-GE 40-125/142/A/BAQE/0.55/4 M MCE11/C	80	50	235	112	140	635	100	70	210	160	M10	100	262	850	500	660	51

NKM-GE 40-160 - STANDARDISED MONOBLOC CENTRIFUGAL ELECTRIC PUMPS WITH INVERTER FOR CIRCULATION SYSTEMS



Pumped liquid temperature range: from -10 °C to +140 °C (MCE/C) - Maximum ambient temperature: +40 °C

≈ 1450 1/min



See hydraulic efficiency details on page 241.

The performance curves are based on kinematic viscosity values = 1 mm²/s and density equal to 1000 kg/m³. Curve tolerance according to ISO 9906.

MODEL	MCE MODEL	POWER INPUT 50 Hz	P2 NOMINAL		In A
			kW	HP	
NKM-GE 40-160/166/A/BAQE/0.75/4 M MCE11/C	MCE11/C	1 x 230 ~V	0,75	1,00	9,9
NKM-GE 40-160/166/A/BAQE/0,75/4 T MCE30/C	MCE30/C	3 x 400 ~V	0,75	1,00	2,7

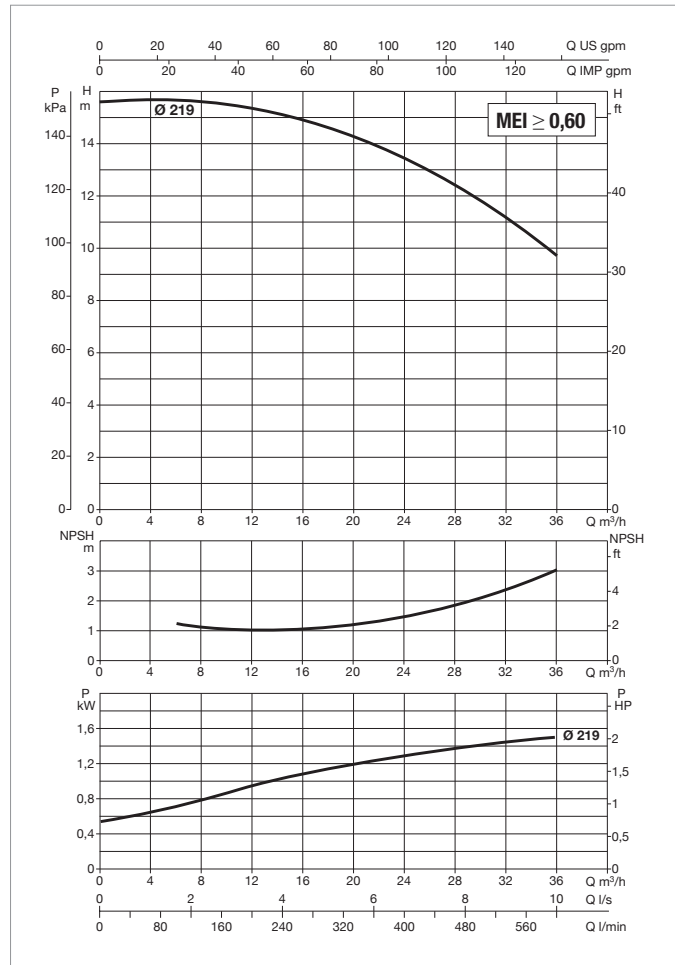
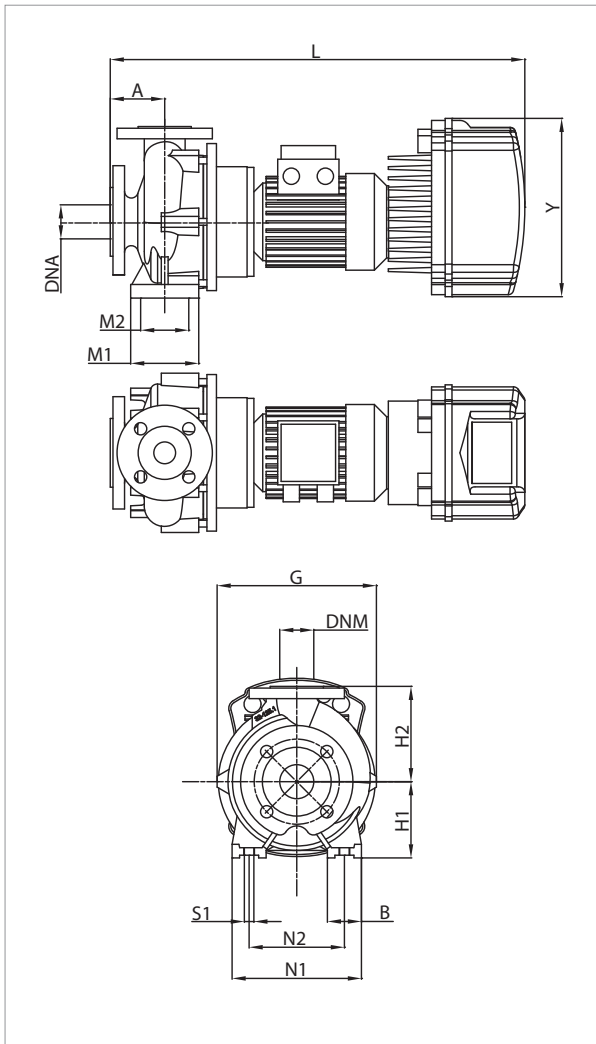
MODEL	A	B	G	H1	H2	L	M1	M2	N1	N2	S1	X	Y	PACKING DIMENSIONS			WEIGHT kg
														L/A	L/B	H	
NKM-GE 40-160/166/A/BAQE/0.75/4 M MCE11/C	80	50	253	132	160	660	100	70	240	190	M10	100	262	850	500	660	54
NKM-GE 40-160/166/A/BAQE/0,75/4 T MCE30/C	80	50	253	132	160	727	100	70	240	190	M10	100	353	850	500	660	56,6

NKM-GE 40-200 - STANDARDISED MONOBLOC CENTRIFUGAL ELECTRIC PUMPS WITH INVERTER FOR CIRCULATION SYSTEMS



Pumped liquid temperature range: from -10 °C to +140 °C (MCE/C) - Maximum ambient temperature: +40 °C

≈ 1450 1/min



See hydraulic efficiency details on page 241.

The performance curves are based on kinematic viscosity values = 1 mm²/s and density equal to 1000 kg/m³. Curve tolerance according to ISO 9906.

MODEL	MCE MODEL	POWER INPUT 50 Hz	P2 NOMINAL		In A
			kW	HP	
NKM-GE 40-200/219/A/BAQE/1,5/4 M MCE15/C	MCE15/C	1 x 230 ~V	1,50	2,00	14,0
NKM-GE 40-200/219/A/BAQE/1,5 /4 T MCE30/C	MCE30/C	3 x 400 ~V	1,50	2,00	4,5

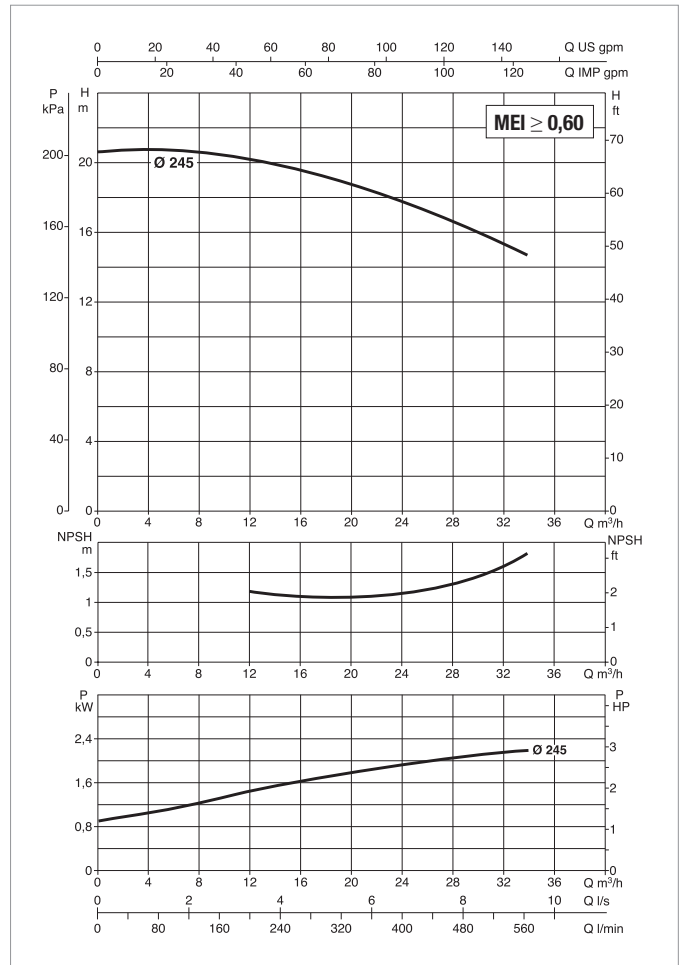
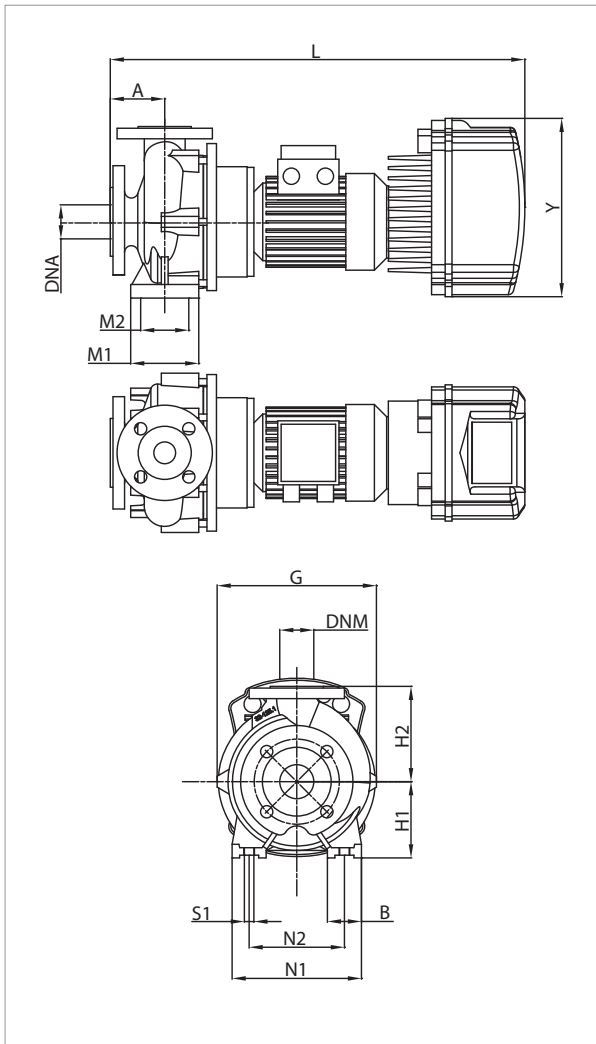
MODEL	A	B	G	H1	H2	L	M1	M2	N1	N2	S1	X	Y	PACKING DIMENSIONS			WEIGHT kg
														L/A	L/B	H	
NKM-GE 40-200/219/A/BAQE/1,5/4 M MCE15/C	100	50	296	160	180	718	100	70	265	212	M10	100	262	850	500	660	70
NKM-GE 40-200/219/A/BAQE/1,5 /4 T MCE30/C	100	50	296	160	180	785	100	70	265	212	M10	100	353	850	500	660	72,6

NKM-GE 40-250 - STANDARDISED MONOBLOC CENTRIFUGAL ELECTRIC PUMPS WITH INVERTER FOR PRESSURISATION SYSTEMS



Pumped liquid temperature range: from -10 °C to +80 °C (MCE/P) - Maximum ambient temperature: +40 °C

≈ 1450 1/min



See hydraulic efficiency details on page 241.

The performance curves are based on kinematic viscosity values = 1 mm²/s and density equal to 1000 kg/m³. Curve tolerance according to ISO 9906.

MODEL	MCE MODEL	POWER INPUT 50 Hz	P2 NOMINAL		In A
			kW	HP	
NKM-GE 40-250/245/A/BAQE/2,2 /4 MCE30/P	MCE30/P	1 x 230 ~V	2,2	3,0	6,6

MODEL	A	B	G	H1	H2	L	M1	M2	N1	N2	S1	X	Y	PACKING DIMENSIONS			WEIGHT kg
														L/A	L/B	H	
NKM-GE 40-250/245/A/BAQE/2,2 /4 MCE30/P	100	65	336	180	225	799	125	95	320	250	M10	100	353	826	430	426	89

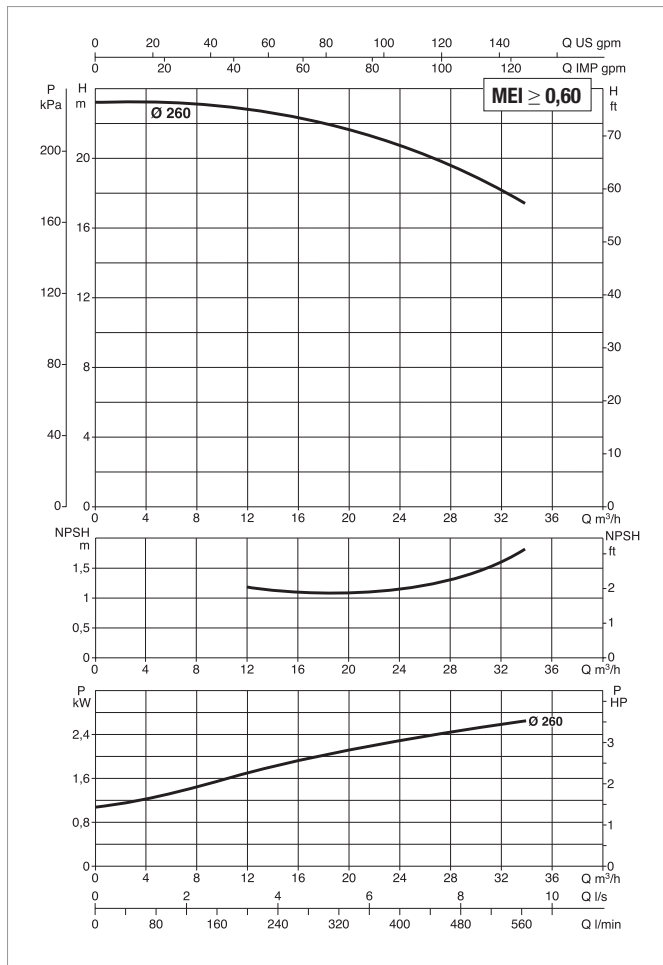
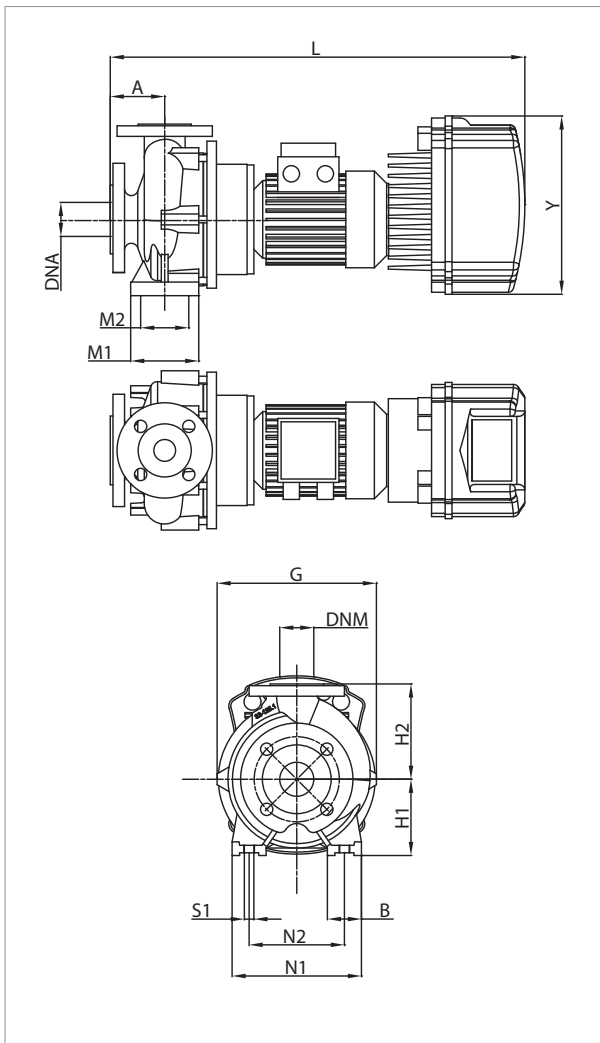
NKM-GE 40-250 - STANDARDISED MONOBLOC CENTRIFUGAL ELECTRIC PUMPS

WITH INVERTER FOR CIRCULATION OR PRESSURISATION SYSTEMS



Pumped liquid temperature range: from -10 °C to +140 °C (MCE/C) - from -10 °C to +80 °C (MCE/P) - Maximum ambient temperature: +40 °C

≈ 1450 1/min



See hydraulic efficiency details on page 241.

The performance curves are based on kinematic viscosity values = 1 mm²/s and density equal to 1000 kg/m³. Curve tolerance according to ISO 9906.

MODEL	MCE MODEL	POWER INPUT 50 Hz	P2 NOMINAL		In A
			kW	HP	
NKM-GE 40-250/260/A/BAQE/3/4 T MCE30/C-P	MCE30/C - MCE30/P	3 x 400 ~V	3,00	4,00	7,2

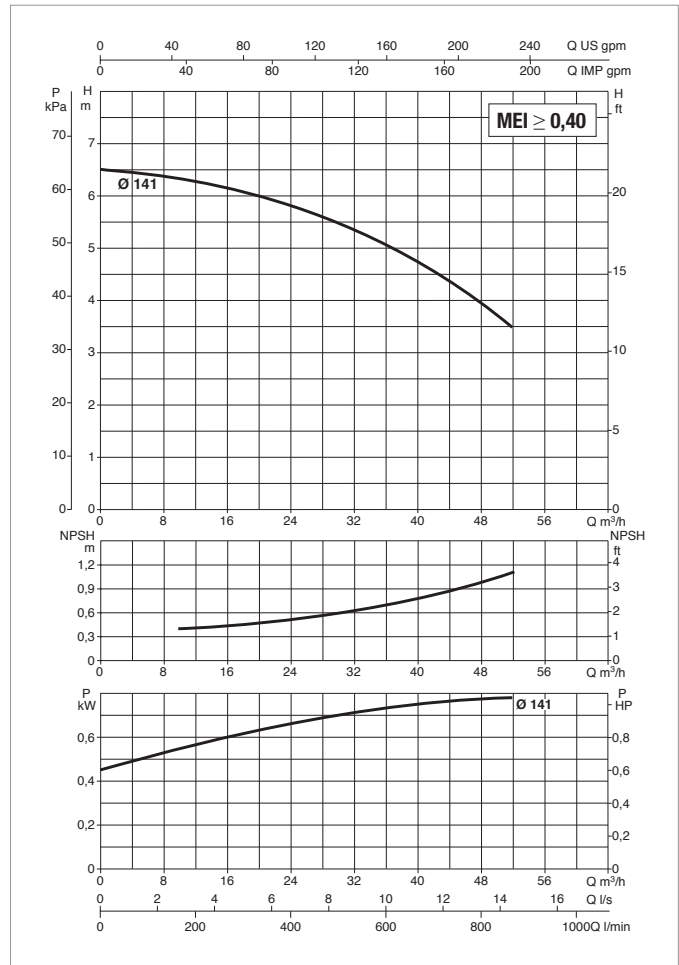
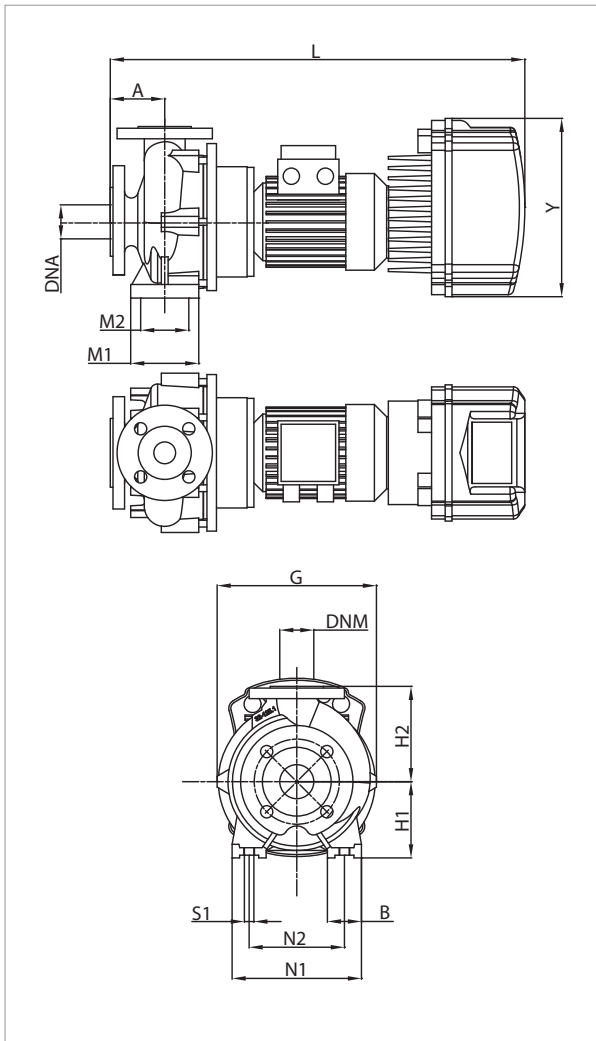
MODEL	A	B	G	H1	H2	L	M1	M2	N1	N2	S1	X	Y	PACKING DIMENSIONS			WEIGHT kg
														L/A	L/B	H	
NKM-GE 40-250/260/A/BAQE/3/4 T MCE30/C-P	100	65	336	180	225	775	125	95	320	250	M10	100	353	850	500	660	98

NKM-GE 50-125 - STANDARDISED MONOBLOC CENTRIFUGAL ELECTRIC PUMPS WITH INVERTER FOR CIRCULATION SYSTEMS



Pumped liquid temperature range: from -10 °C to +140 °C (MCE/C) - Maximum ambient temperature: +40 °C

≅ 1450 1/min



See hydraulic efficiency details on page 241.

The performance curves are based on kinematic viscosity values = 1 mm²/s and density equal to 1000 kg/m³. Curve tolerance according to ISO 9906.

MODEL	MCE MODEL	POWER INPUT 50 Hz	P2 NOMINAL		In A
			kW	HP	
NKM-GE 50-125/141/A/BAQE/0.75/4 M MCE11/C	MCE11/C	1 x 230 ~V	0,75	1,00	9,7
NKM-GE 50-125/141/A/BAQE/0,75/4 T MCE30/C	MCE30/C	3 x 400 ~V	0,75	1,00	t.b.d.

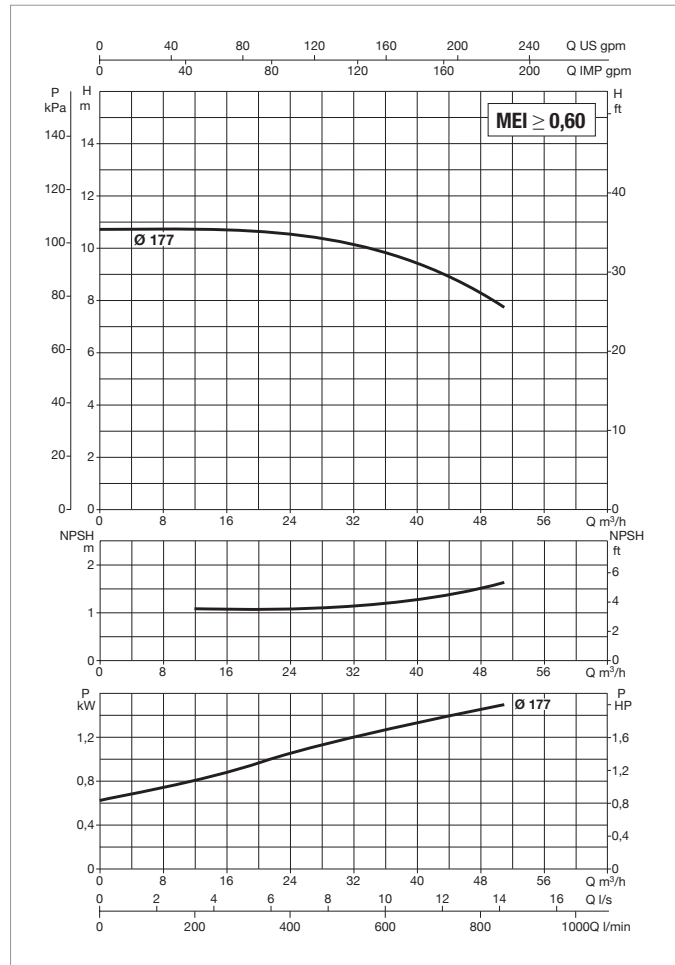
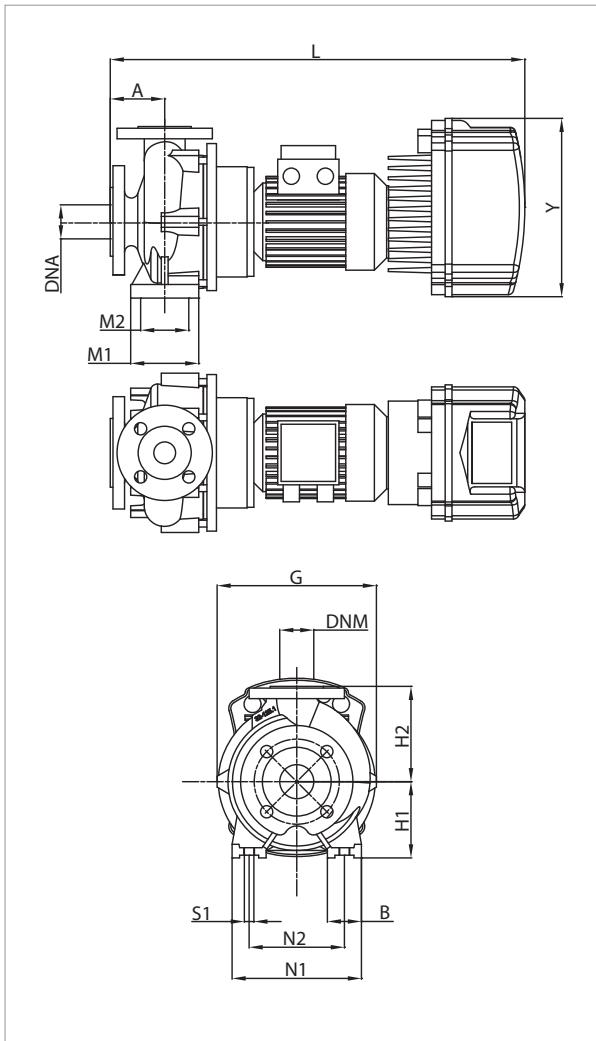
MODEL	A	B	G	H1	H2	L	M1	M2	N1	N2	S1	X	Y	PACKING DIMENSIONS			WEIGHT kg
														L/A	L/B	H	
NKM-GE 50-125/141/A/BAQE/0.75/4 M MCE11/C	100	50	250	132	160	680	100	70	240	190	M10	100	262	850	500	660	55
NKM-GE 50-125/141/A/BAQE/0,75/4 T MCE30/C	100	50	250	132	160	747	100	70	240	190	M10	100	353	850	500	660	57,6

NKM-GE 50-160 - STANDARDISED MONOBLOC CENTRIFUGAL ELECTRIC PUMPS WITH INVERTER FOR CIRCULATION SYSTEMS



Pumped liquid temperature range: from -10 °C to +140 °C (MCE/C) - Maximum ambient temperature: +40 °C

≅ 1450 1/min



See hydraulic efficiency details on page 241.

The performance curves are based on kinematic viscosity values = 1 mm²/s and density equal to 1000 kg/m³. Curve tolerance according to ISO 9906.

MODEL	MCE MODEL	POWER INPUT 50 Hz	P2 NOMINAL		In A
			kW	HP	
NKM-GE 50-160/177/A/BAQE/1,5/4 M MCE15/C	MCE15/C	1 x 230 ~V	1,50	2,00	13,7
NKM-GE 50-160/177/A/BAQE/1,5/4 T MCE30/C	MCE30/C	3 x 400 ~V	1,50	2,00	4,4

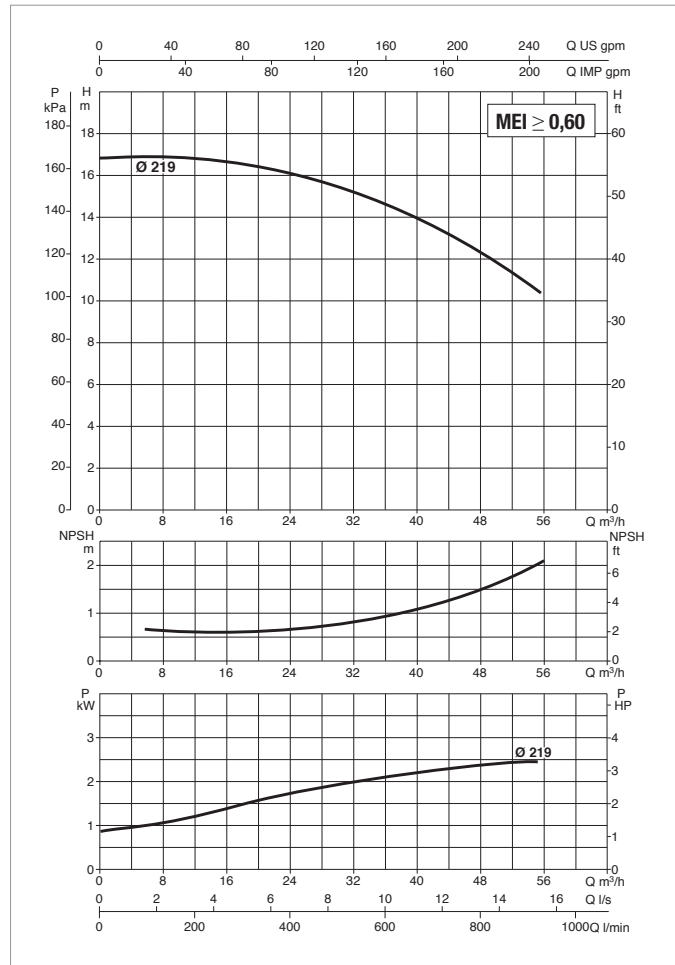
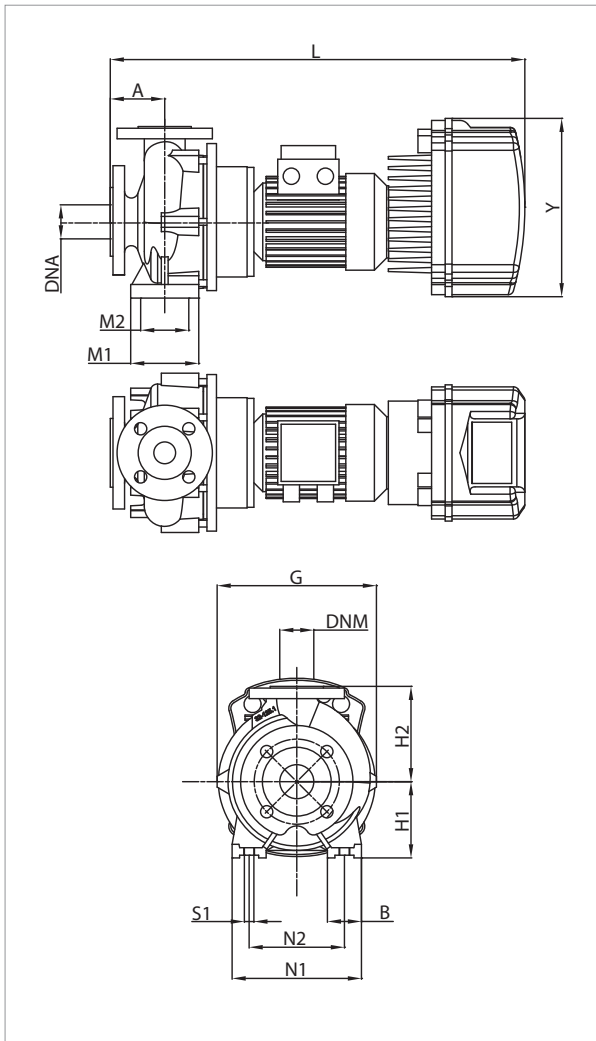
MODEL	A	B	G	H1	H2	L	M1	M2	N1	N2	S1	X	Y	PACKING DIMENSIONS			WEIGHT kg
														L/A	L/B	H	
NKM-GE 50-160/177/A/BAQE/1,5/4 M MCE15/C	100	50	282	160	180	746	100	70	265	212	M10	100	262	850	500	660	64
NKM-GE 50-160/177/A/BAQE/1,5/4 T MCE30/C	100	50	282	160	180	813	100	70	265	212	M10	100	353	850	500	660	66,7

NKM-GE 50-200 - STANDARDISED MONOBLOC CENTRIFUGAL ELECTRIC PUMPS WITH INVERTER FOR CIRCULATION SYSTEMS



Pumped liquid temperature range: from -10 °C to +140 °C (MCE/C) - Maximum ambient temperature: +40 °C

≅ 1450 1/min



See hydraulic efficiency details on page 241.

The performance curves are based on kinematic viscosity values = 1 mm²/s and density equal to 1000 kg/m³. Curve tolerance according to ISO 9906.

MODEL	MCE MODEL	POWER INPUT 50 Hz	P2 NOMINAL		In A
			kW	HP	
NKM-GE 50-200/219/A/BAQE/3/4 T MCE30/C	MCE30/C	3 x 400 ~V	3,00	4,00	6,7

MODEL	A	B	G	H1	H2	L	M1	M2	N1	N2	S1	X	Y	PACKING DIMENSIONS			WEIGHT kg
														L/A	L/B	H	
NKM-GE 50-200/219/A/BAQE/3/4 T MCE30/C	100	50	302	160	200	775	100	70	265	212	M10	100	353	850	500	660	90

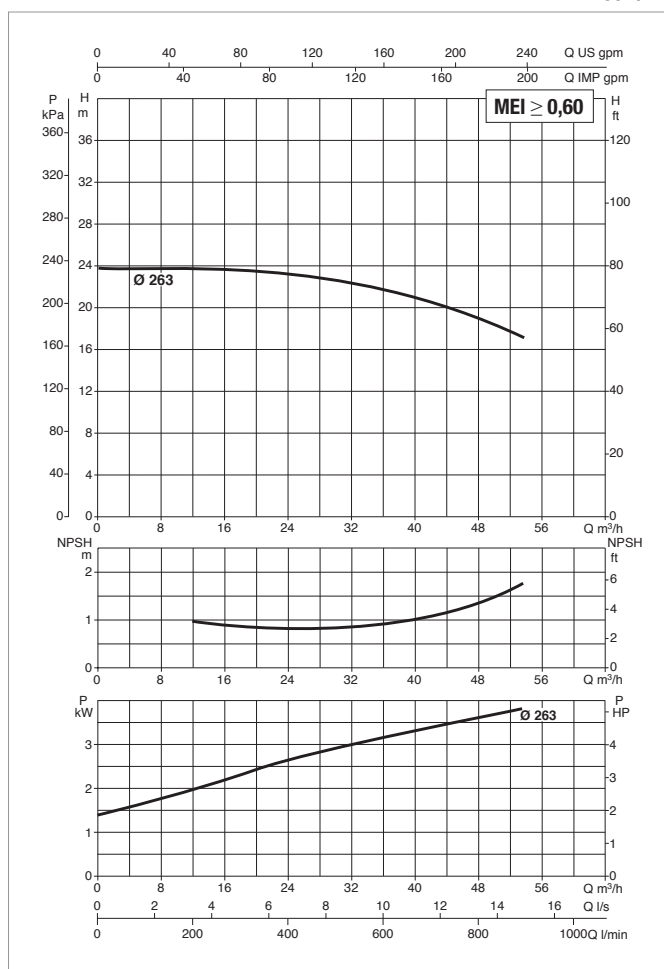
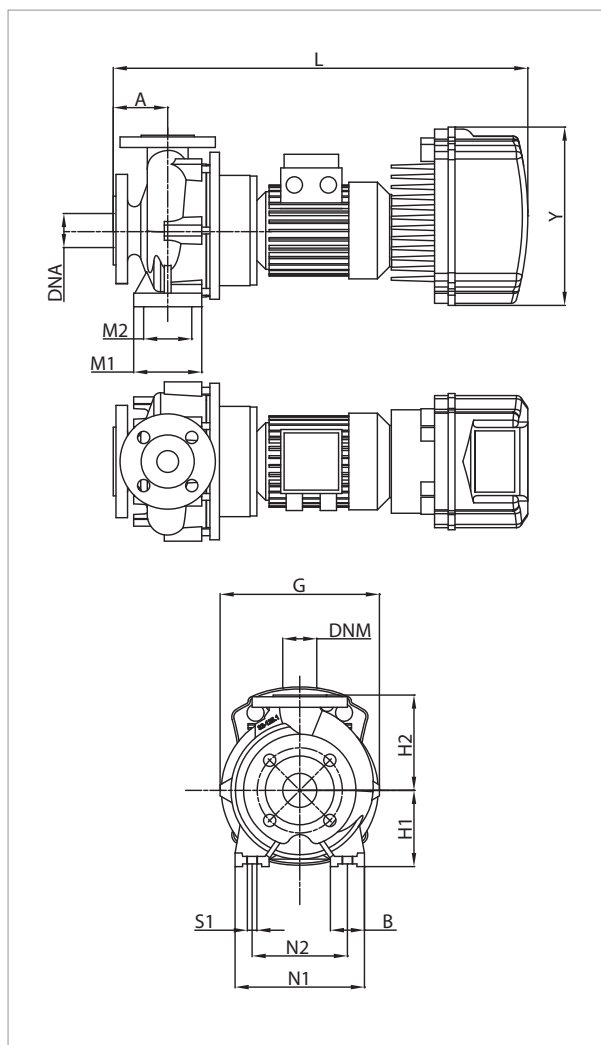
NKM-GE 50-250 - STANDARDISED MONOBLOC CENTRIFUGAL ELECTRIC PUMPS

WITH INVERTER FOR CIRCULATION OR PRESSURISATION SYSTEMS



Pumped liquid temperature range: from -10 °C to +140 °C (MCE/C) - from -10 °C to +80 °C (MCE/P) - Maximum ambient temperature: +40 °C

≅ 1450 1/min



See hydraulic efficiency details on page 241.

The performance curves are based on kinematic viscosity values = 1 mm²/s and density equal to 1000 kg/m³. Curve tolerance according to ISO 9906.

MODEL	MCE MODEL	POWER INPUT 50 Hz	P2 NOMINAL		In A
			kW	HP	
NKM-GE 50-250/263/A/BAQE/4/4 T MCE30/C-P	MCE30/C - MCE30/P	3 x 400 ~V	4,00	5,50	9,4

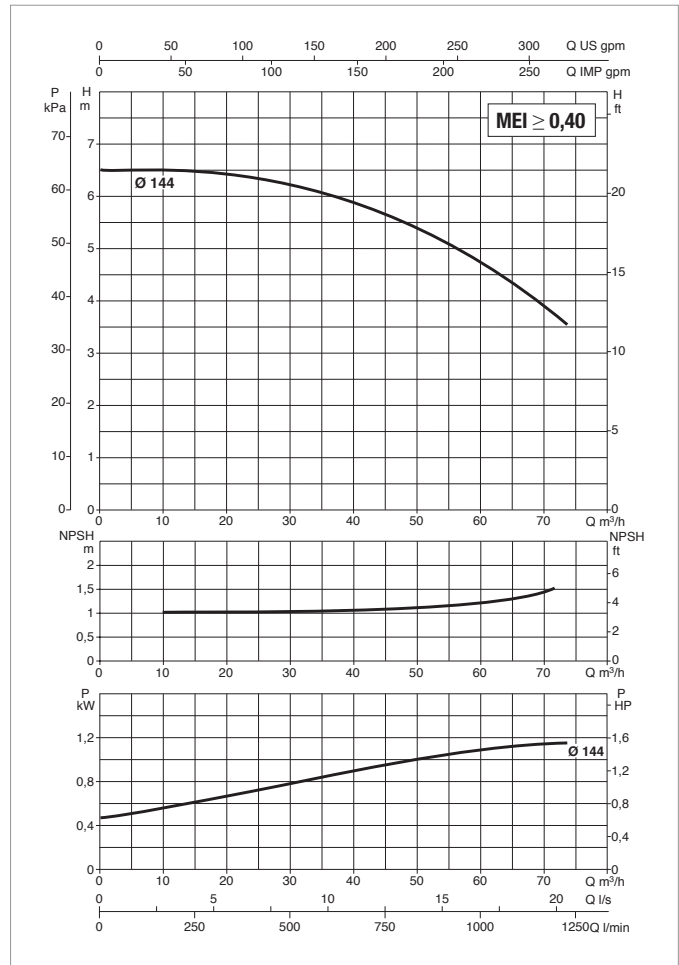
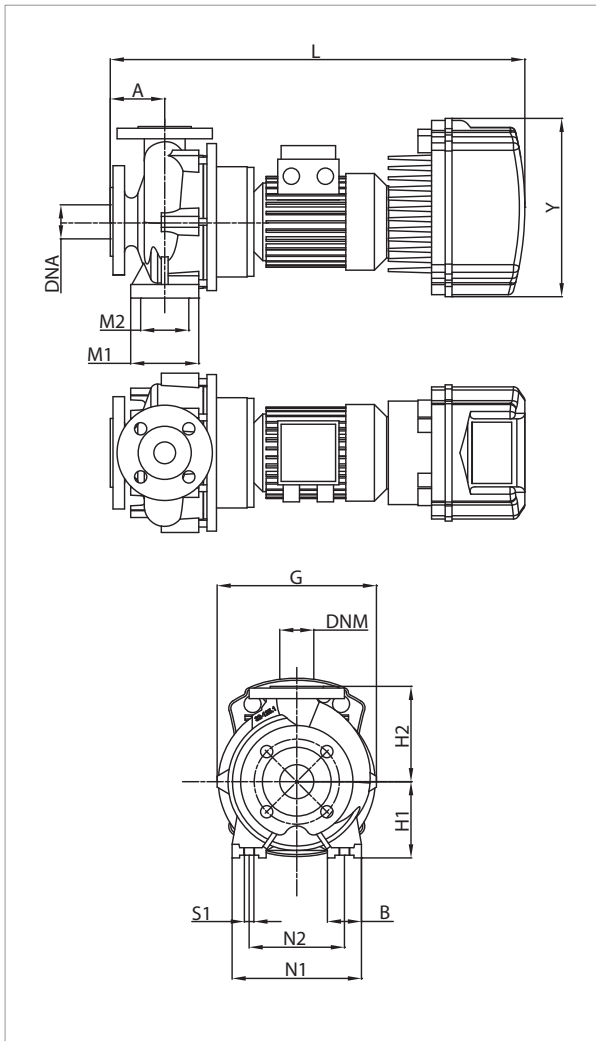
MODEL	A	B	G	H1	H2	L	M1	M2	N1	N2	S1	X	Y	PACKING DIMENSIONS			WEIGHT kg
														L/A	L/B	H	
NKM-GE 50-250/263/A/BAQE/4/4 T MCE30/C-P	100	65	343	180	225	775	125	95	320	250	M10	100	353	850	500	660	105

NKM-GE 65-125 - STANDARDISED MONOBLOC CENTRIFUGAL ELECTRIC PUMPS WITH INVERTER FOR CIRCULATION SYSTEMS



Pumped liquid temperature range: from -10 °C to +140 °C (MCE/C) - Maximum ambient temperature: +40 °C

≅ 1450 1/min



See hydraulic efficiency details on page 241.

The performance curves are based on kinematic viscosity values = 1 mm²/s and density equal to 1000 kg/m³. Curve tolerance according to ISO 9906.

MODEL	MCE MODEL	POWER INPUT 50 Hz	P2 NOMINAL		In A
			kW	HP	
NKM-GE 65-125/144A/BAQE/1.1/4 M MCE11/C	MCE11/C	1 x 230 ~V	1,10	1,50	10,9
NKM-GE 65-125/144A/BAQE/1.1/4 T MCE30/C	MCE30/C	3 x 400 ~V	1,10	1,50	t.b.d.

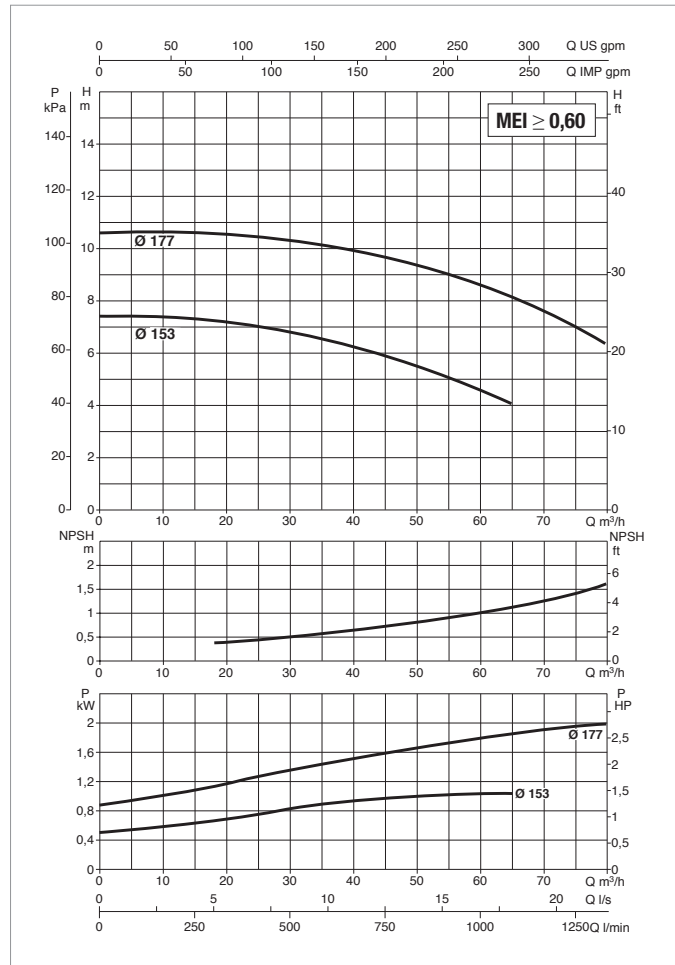
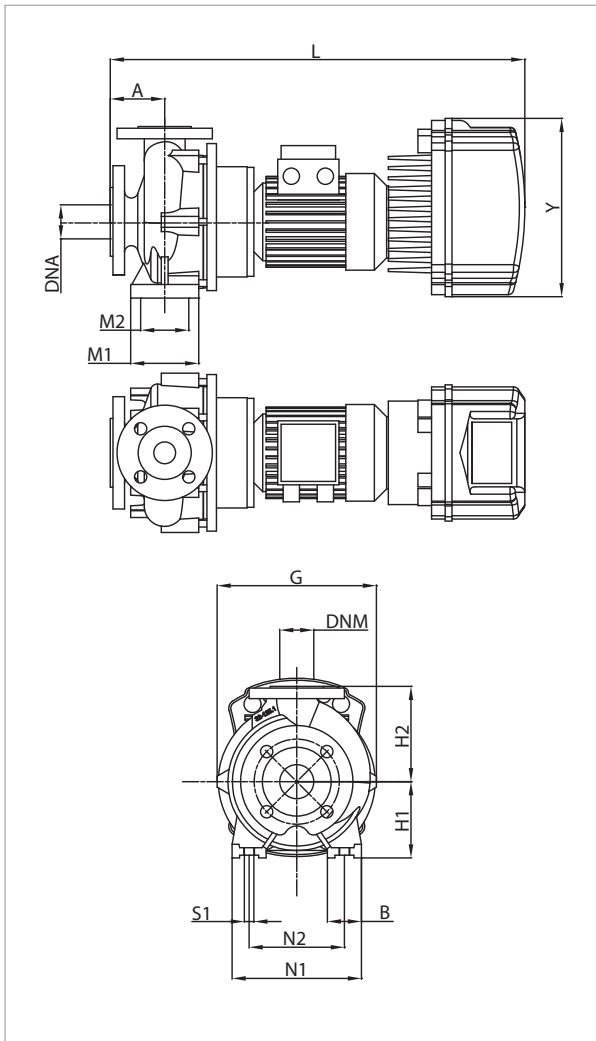
MODEL	A	B	G	H1	H2	L	M1	M2	N1	N2	S1	X	Y	PACKING DIMENSIONS			WEIGHT kg
														L/A	L/B	H	
NKM-GE 65-125/144A/BAQE/1.1/4 M MCE11/C	100	65	286	160	180	693	125	95	280	212	M10	100	262	850	500	660	65
NKM-GE 65-125/144A/BAQE/1.1/4 T MCE30/C	100	65	286	160	180	760	125	95	280	212	M10	100	353	850	500	660	67,6

NKM-GE 65-160 - STANDARDISED MONOBLOC CENTRIFUGAL ELECTRIC PUMPS WITH INVERTER FOR CIRCULATION SYSTEMS



Pumped liquid temperature range: from -10 °C to +140 °C (MCE/C) - Maximum ambient temperature: +40 °C

≈ 1450 1/min



See hydraulic efficiency details on page 241.

The performance curves are based on kinematic viscosity values = 1 mm²/s and density equal to 1000 kg/m³. Curve tolerance according to ISO 9906.

MODEL	MCE MODEL	POWER INPUT 50 Hz	P2 NOMINAL		In A
			kW	HP	
NKM-GE 65-160/153/A/BAQE/1,1/4 M MCE11/C	MCE11/C	1 x 230 ~V	1,10	1,50	11,2
NKM-GE 65-160/153/A/BAQE/1,1/4 T MCE30/C	MCE30/C	3 x 400 ~V	1,10	1,50	3,5
NKM-GE 65-160/177/A/BAQE/2,2/4 M MCE22/C	MCE22/C	1 x 230 ~V	2,20	3,00	17,3
NKM-GE 65-160/177/A/BAQE/2,2/4 T MCE30/C	MCE30/C	3 x 400 ~V	2,20	3,00	5,8

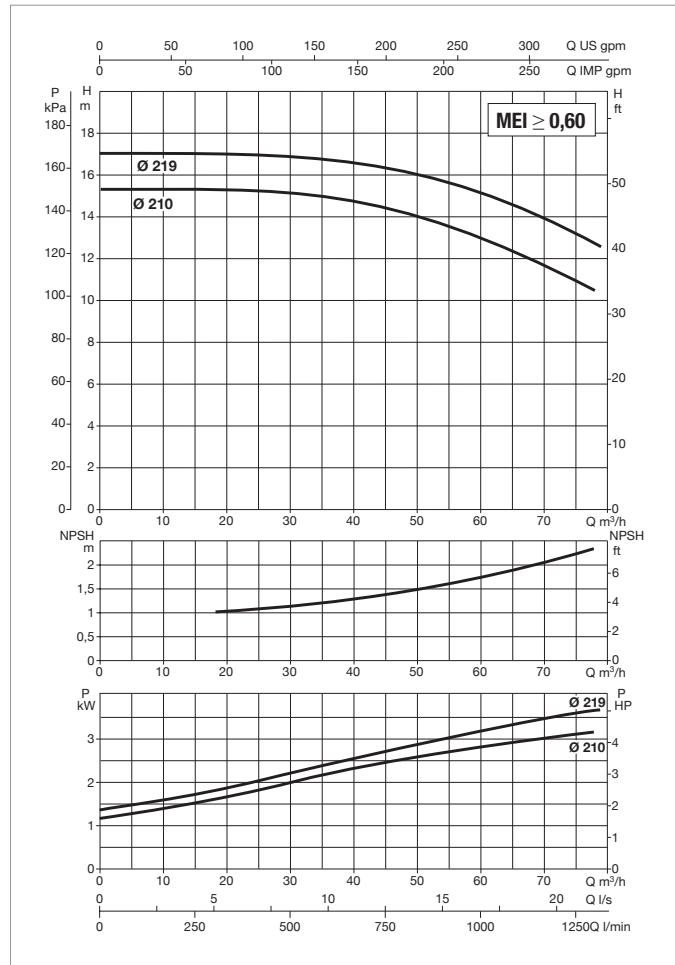
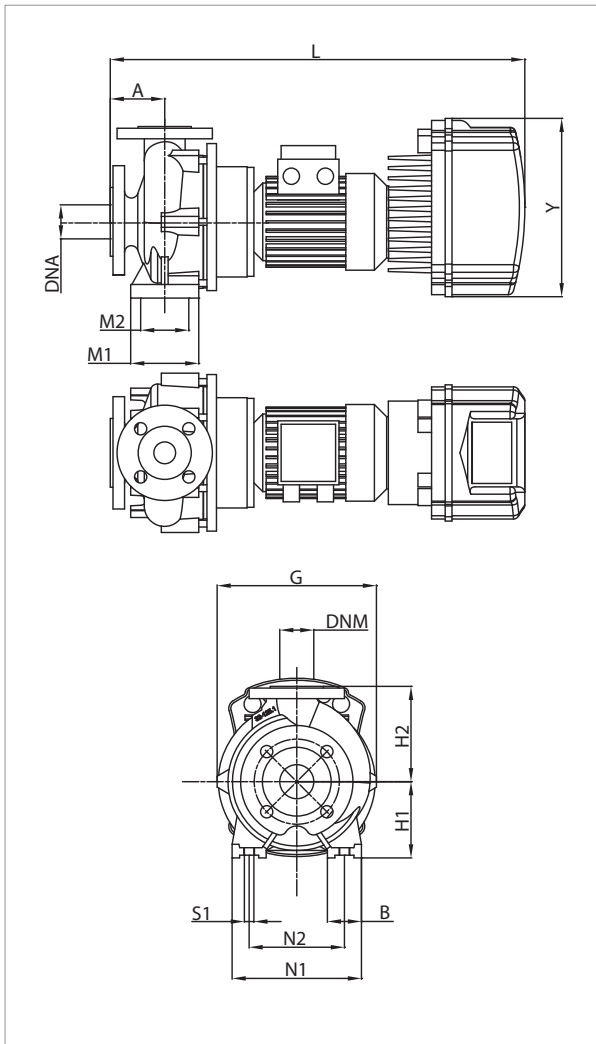
MODEL	A	B	G	H1	H2	L	M1	M2	N1	N2	S1	X	Y	PACKING DIMENSIONS			WEIGHT kg
														L/A	L/B	H	
NKM-GE 65-160/153/A/BAQE/1,1/4 M MCE11/C	100	65	302	160	200	693	125	95	280	212	M10	100	262	850	500	660	67
NKM-GE 65-160/153/A/BAQE/1,1/4 T MCE30/C	100	65	302	160	200	760	125	95	280	212	M10	100	353	850	500	660	69,6
NKM-GE 65-160/177/A/BAQE/2,2/4 M MCE22/C	100	65	302	160	200	779	125	95	280	212	M10	100	262	850	500	660	80
NKM-GE 65-160/177/A/BAQE/2,2/4 T MCE30/C	100	65	302	160	200	846	125	95	280	212	M10	100	353	850	500	660	82,6

NKM-GE 65-200 - STANDARDISED MONOBLOC CENTRIFUGAL ELECTRIC PUMPS WITH INVERTER FOR CIRCULATION SYSTEMS



Pumped liquid temperature range: from -10 °C to +140 °C (MCE/C) - Maximum ambient temperature: +40 °C

≈ 1450 1/min



See hydraulic efficiency details on page 241.

The performance curves are based on kinematic viscosity values = 1 mm²/s and density equal to 1000 kg/m³. Curve tolerance according to ISO 9906.

MODEL	MCE MODEL	POWER INPUT 50 Hz	P2 NOMINAL		In A
			kW	HP	
NKM-GE 65-200/210/A/BAQE/3/4 T MCE30/C	MCE30/C	3 x 400 ~V	3,00	4,00	7,8
NKM-GE 65-200/219/A/BAQE/4/4 T MCE30/C	MCE30/C	3 x 400 ~V	4,00	5,50	8,8

MODEL	A	B	G	H1	H2	L	M1	M2	N1	N2	S1	X	Y	PACKING DIMENSIONS			WEIGHT kg
														L/A	L/B	H	
NKM-GE 65-200/210/A/BAQE/3/4 T MCE30/C	100	65	333	180	225	779	125	95	320	250	M10	140	353	850	500	660	97
NKM-GE 65-200/219/A/BAQE/4/4 T MCE30/C	100	65	333	180	225	802	125	95	320	250	M10	140	353	850	500	660	105

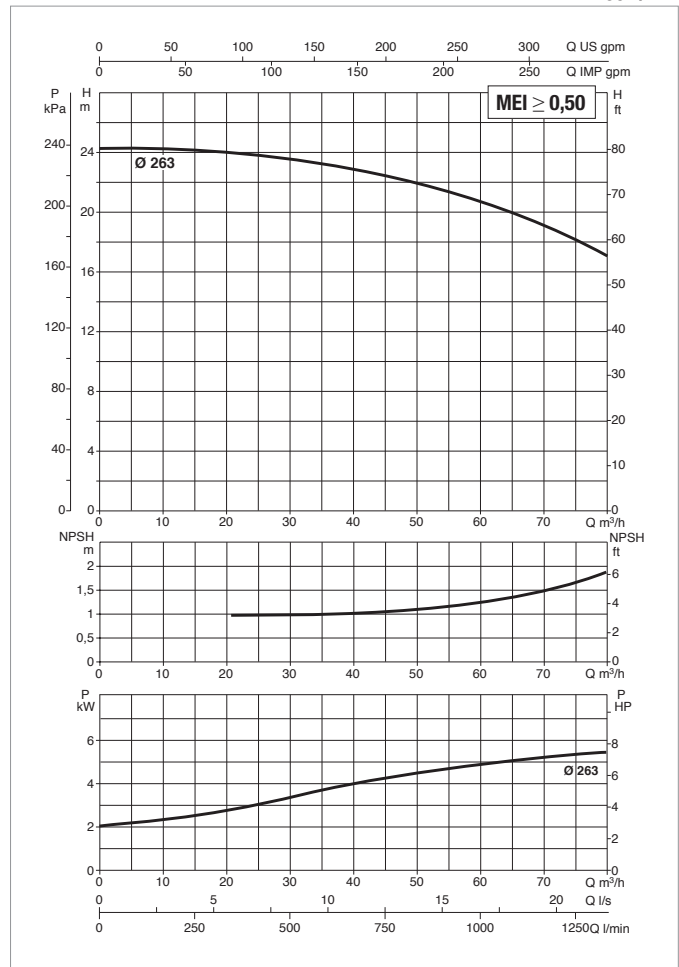
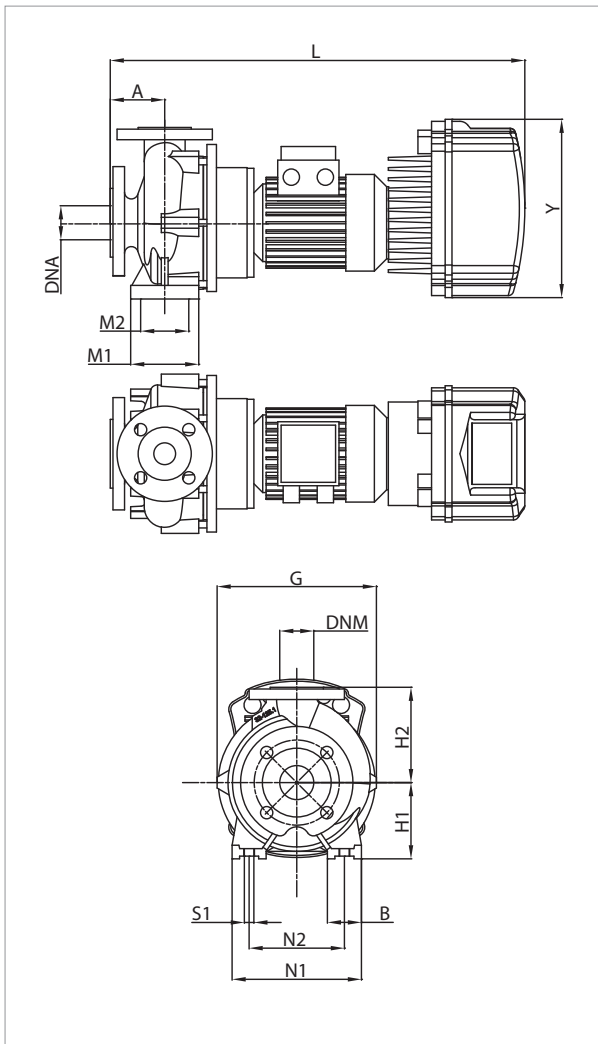
NKM-GE 65-250 - STANDARDISED MONOBLOC CENTRIFUGAL ELECTRIC PUMPS

WITH INVERTER FOR CIRCULATION OR PRESSURISATION SYSTEMS



Pumped liquid temperature range: from -10 °C to +140 °C (MCE/C) - from -10 °C to +80 °C (MCE/P) - Maximum ambient temperature: +40 °C

≈ 1450 1/min



See hydraulic efficiency details on page 241.

The performance curves are based on kinematic viscosity values = 1 mm²/s and density equal to 1000 kg/m³. Curve tolerance according to ISO 9906.

MODEL	MCE MODEL	POWER INPUT 50 Hz	P2 NOMINAL		In A
			kW	HP	
NKM-GE 65-250/263/A/BAQE/5.5/4 T MCE55/C-P	MCE55/C - MCE55/P	3 x 400 ~V	5,50	7,50	12,7

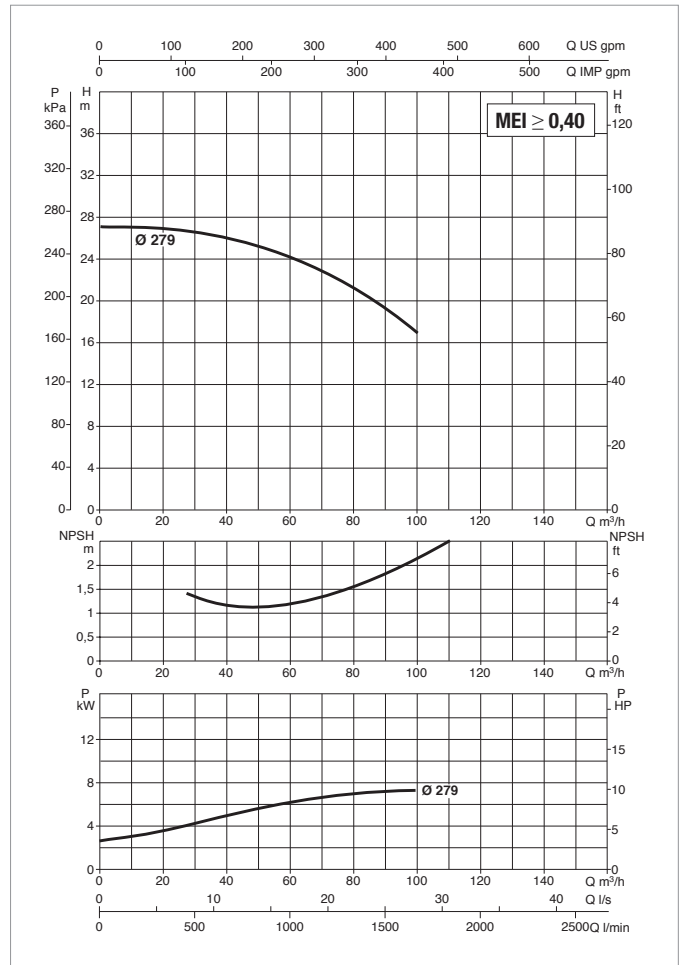
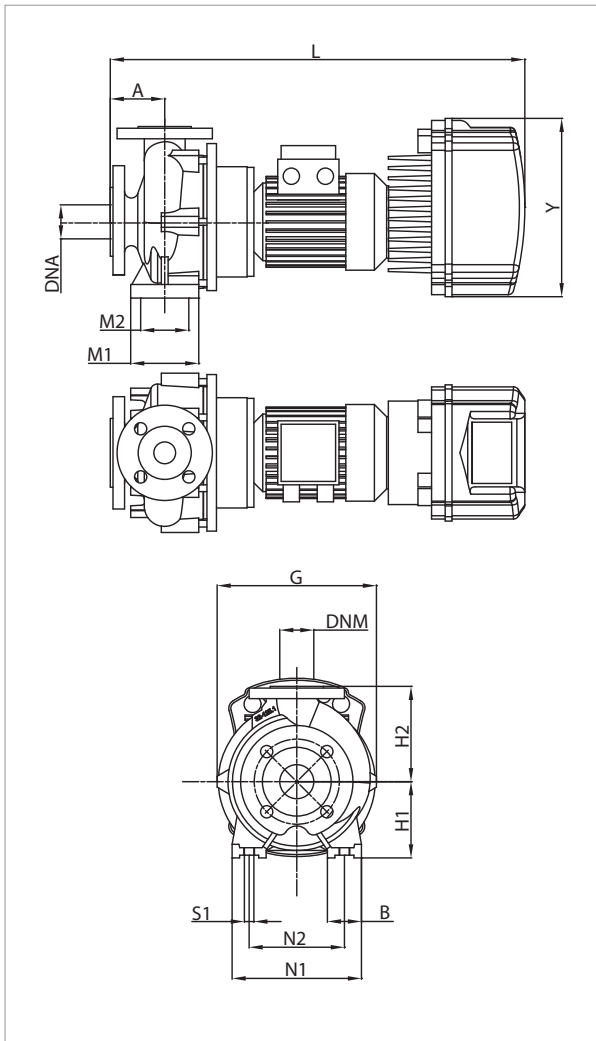
MODEL	A	B	G	H1	H2	L	M1	M2	N1	N2	S1	X	Y	PACKING DIMENSIONS			WEIGHT kg
														L/A	L/B	H	
NKM-GE 65-250/263/A/BAQE/5.5/4 T MCE55/C-P	100	80	370	200	250	913	160	120	360	280	M14	140	353	1100	550	620	168

NKM-GE 65-315 - STANDARDISED MONOBLOC CENTRIFUGAL ELECTRIC PUMPS WITH INVERTER FOR PRESSURISATION SYSTEMS



Pumped liquid temperature range: from -10 °C to +80 °C (MCE/P) - Maximum ambient temperature: +40 °C

≅ 1450 1/min



See hydraulic efficiency details on page 241.

The performance curves are based on kinematic viscosity values = 1 mm²/s and density equal to 1000 kg/m³. Curve tolerance according to ISO 9906.

MODEL	MCE MODEL	POWER INPUT 50 Hz	P2 NOMINAL		In A
			kW	HP	
NKM-GE 65-315/279/A/BAQE/7,5/4MCE110/P	MCE110/P	3 x 400 ~V	7,5	10,0	17,9

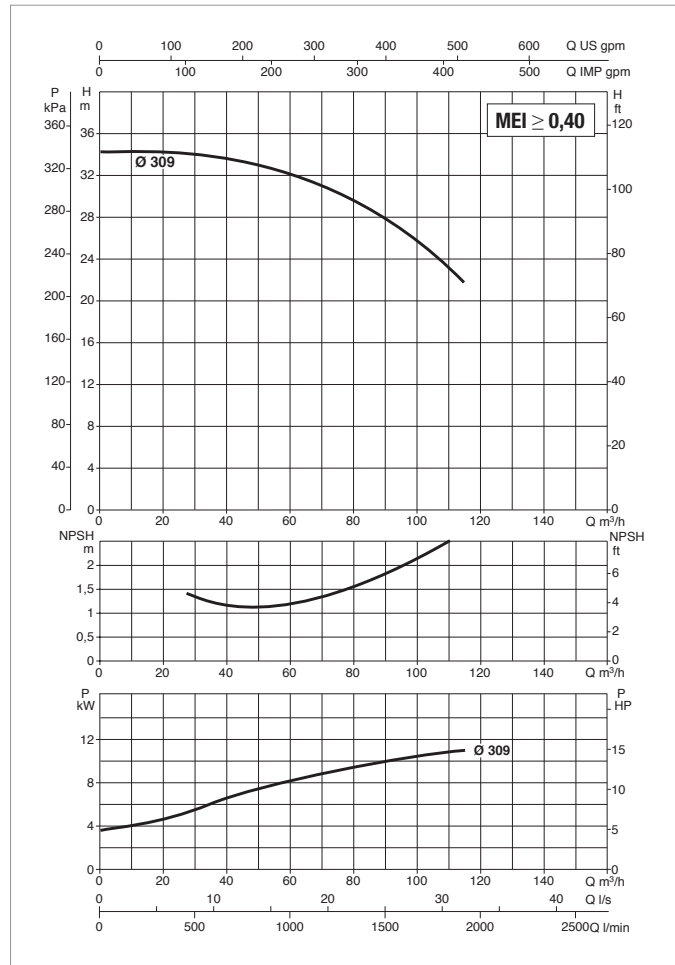
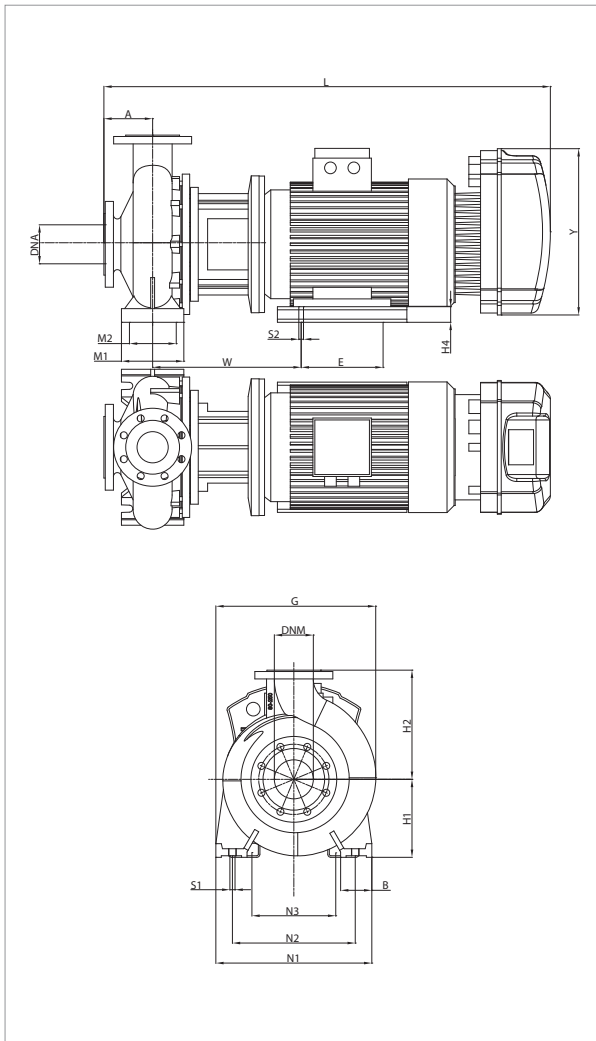
MODEL	A	B	G	H1	H2	L	M1	M2	N1	N2	S1	X	Y	PACKING DIMENSIONS			WEIGHT kg
														L/A	L/B	H	
NKM-GE 65-315/279/A/BAQE/7,5/4MCE110/P	125	80	429	225	280	1048	160	120	400	315	M14	140	426	1386	526	676	195

NKM-GE 65-315 - STANDARDISED MONOBLOC CENTRIFUGAL ELECTRIC PUMPS WITH INVERTER FOR CIRCULATION SYSTEMS



Pumped liquid temperature range: from -10 °C to +140 °C (MCE/C) - Maximum ambient temperature: +40 °C

≅ 1450 1/min



See hydraulic efficiency details on page 241.

The performance curves are based on kinematic viscosity values = 1 mm²/s and density equal to 1000 kg/m³. Curve tolerance according to ISO 9906.

MODEL	MCE MODEL	POWER INPUT 50 Hz	P2 NOMINAL		In A
			kW	HP	
NKM-GE 65-315/309/A/BAQE/11/4 T MCE110/C	MCE110/C	3 x 400 ~V	11,00	15,00	26,6

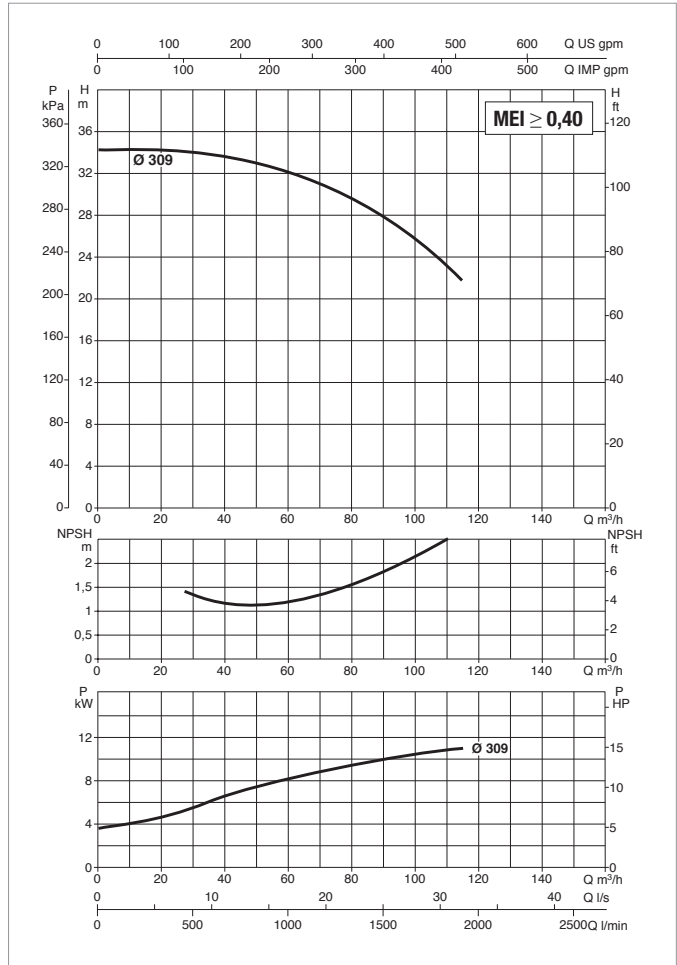
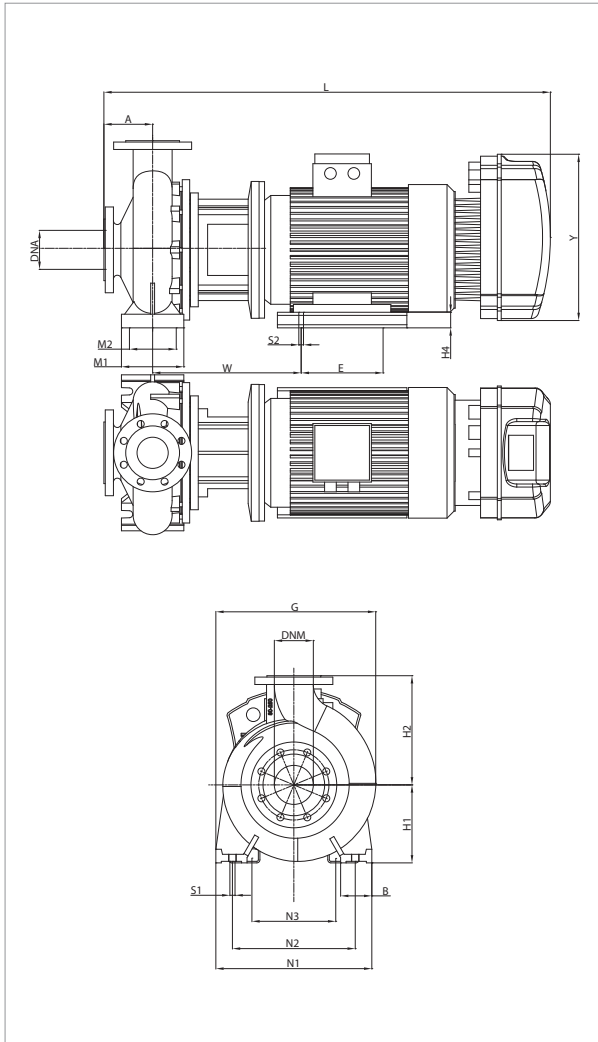
MODEL	A	B	E	G	H1	H2	H4	L	M1	M2	N1	N2	S1	S2	W	X	Y	PACKING DIMENSIONS			WEIGHT kg
																		L/A	L/B	H	
NKM-GE 65-315/309/A/BAQE/11/4 T MCE110/C	125	80	210	429	225	280	65	1108	160	120	400	315	M14	M12	402	140	426	1250	560	575	263

NKM-GE 65-315 - STANDARDISED MONOBLOC CENTRIFUGAL ELECTRIC PUMPS WITH INVERTER FOR PRESSURISATION SYSTEMS



Pumped liquid temperature range: from -10 °C to +80 °C (MCE/P) - Maximum ambient temperature: +40 °C

≅ 1450 1/min



See hydraulic efficiency details on page 241.

The performance curves are based on kinematic viscosity values = 1 mm²/s and density equal to 1000 kg/m³. Curve tolerance according to ISO 9906.

MODEL	MCE MODEL	POWER INPUT 50 Hz	P2 NOMINAL		In A
			kW	HP	
NKM-GE65-315/309/A/BAQE/11/4 MCE150/P	MCE150/P	3 x 400 ~V	11,00	15,00	27,2

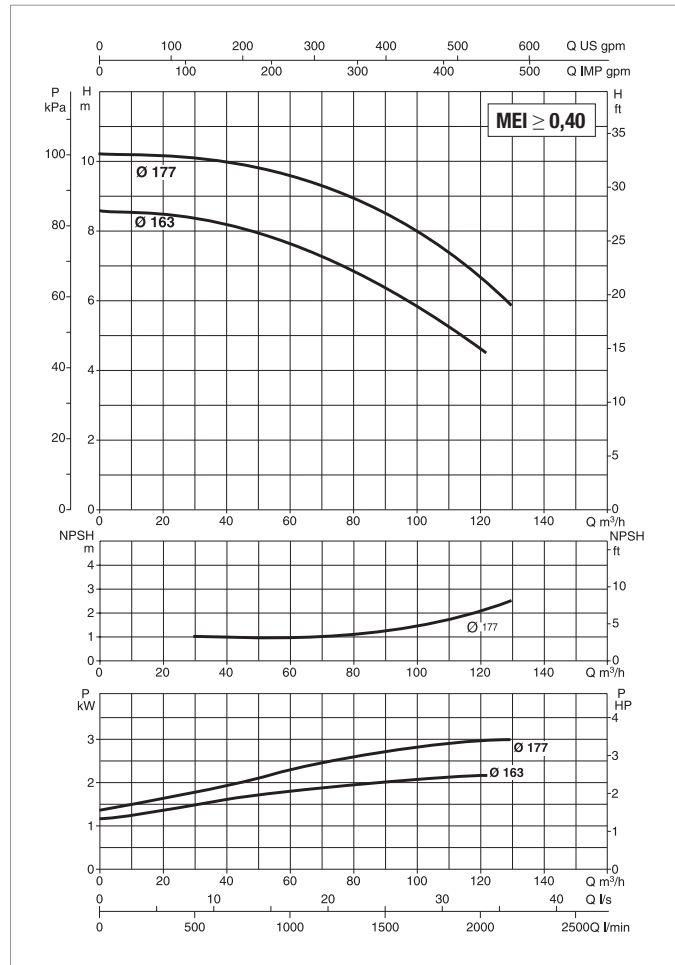
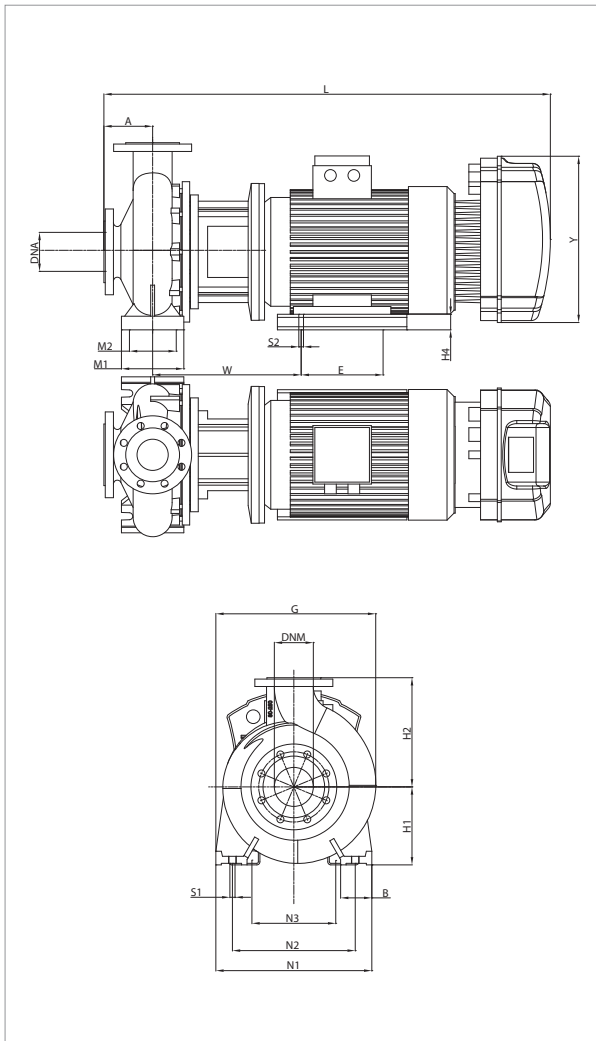
MODEL	A	B	E	G	H1	H2	H4	L	M1	M2	N1	N2	S1	S2	W	X	Y	PACKING DIMENSIONS			WEIGHT kg
																		L/A	L/B	H	
NKM-GE65-315/309/A/BAQE/11/4 MCE150/P	125	80	210	429	225	280	65	1108	160	120	400	315	M14	M12	402	140	426	1250	560	575	263

NKM-GE 80-160 - STANDARDISED MONOBLOC CENTRIFUGAL ELECTRIC PUMPS WITH INVERTER FOR CIRCULATION SYSTEMS



Pumped liquid temperature range: from -10 °C to +140 °C (MCE/C) - Maximum ambient temperature: +40 °C

≅ 1450 1/min



See hydraulic efficiency details on page 241.

The performance curves are based on kinematic viscosity values = 1 mm²/s and density equal to 1000 kg/m³. Curve tolerance according to ISO 9906.

MODEL	MCE MODEL	POWER INPUT 50 Hz	P2 NOMINAL		In A
			kW	HP	
NKM-GE 80-160/163/A/BAQE/2,2/4 M MCE22/C	MCE22/C	1 x 230 ~V	2,20	3,00	19,6
NKM-GE 80-160/163/A/BAQE/2,2/4 T MCE30/C	MCE30/C	3 x 400 ~V	2,20	3,00	t.b.d.
NKM-GE 80-160/177/A/BAQE/3/4 T MCE30/C	MCE30/C	3 x 400 ~V	3,00	4,00	7,6

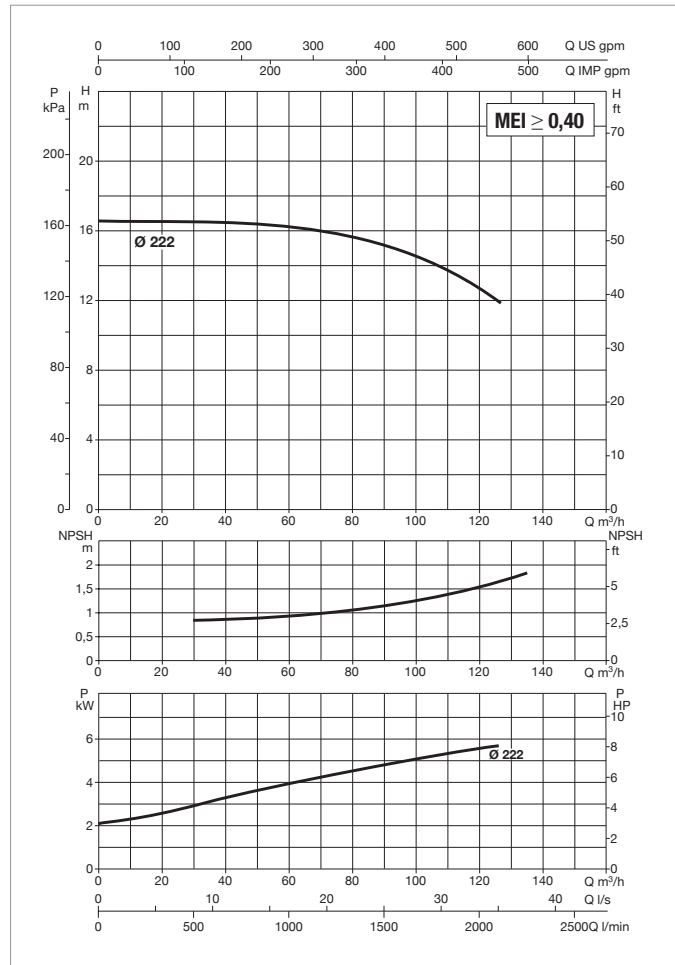
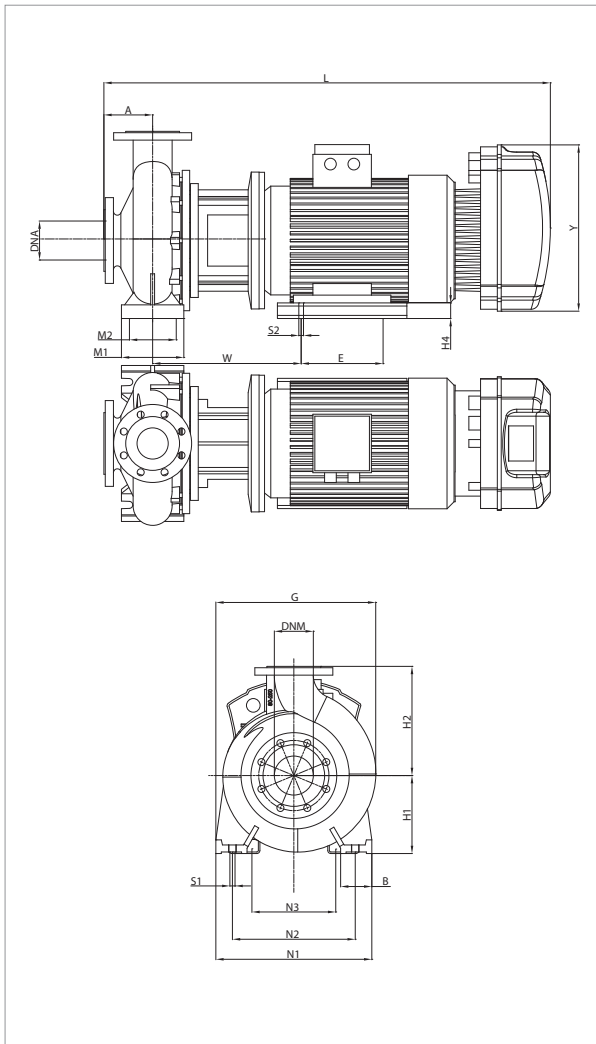
MODEL	A	B	G	H1	H2	L	M1	M2	N1	N2	S1	X	Y	PACKING DIMENSIONS			WEIGHT kg
														L/A	L/B	H	
NKM-GE 80-160/163/A/BAQE/2,2/4 M MCE22/C	125	65	342	180	225	804	125	95	320	250	M10	140	262	850	500	660	87
NKM-GE 80-160/163/A/BAQE/2,2/4 T MCE30/C	125	65	342	180	225	871	125	95	320	250	M10	140	353	850	500	660	89,6
NKM-GE 80-160/177/A/BAQE/3/4 T MCE30/C	125	65	342	180	225	804	125	95	320	250	M10	140	353	850	500	660	96

NKM-GE 80-200 - STANDARDISED MONOBLOC CENTRIFUGAL ELECTRIC PUMPS WITH INVERTER FOR CIRCULATION SYSTEMS



Pumped liquid temperature range: from -10 °C to +140 °C (MCE/C) - Maximum ambient temperature: +40 °C

≈ 1450 1/min



See hydraulic efficiency details on page 241.

The performance curves are based on kinematic viscosity values = 1 mm²/s and density equal to 1000 kg/m³. Curve tolerance according to ISO 9906.

MODEL	MCE MODEL	POWER INPUT 50 Hz	P2 NOMINAL		In A
			kW	HP	
NKM-GE 80-200/222/A/BAQE/5.5/4 T MCE55/C	MCE55/C	3 x 400 ~V	5,50	7,50	12,9

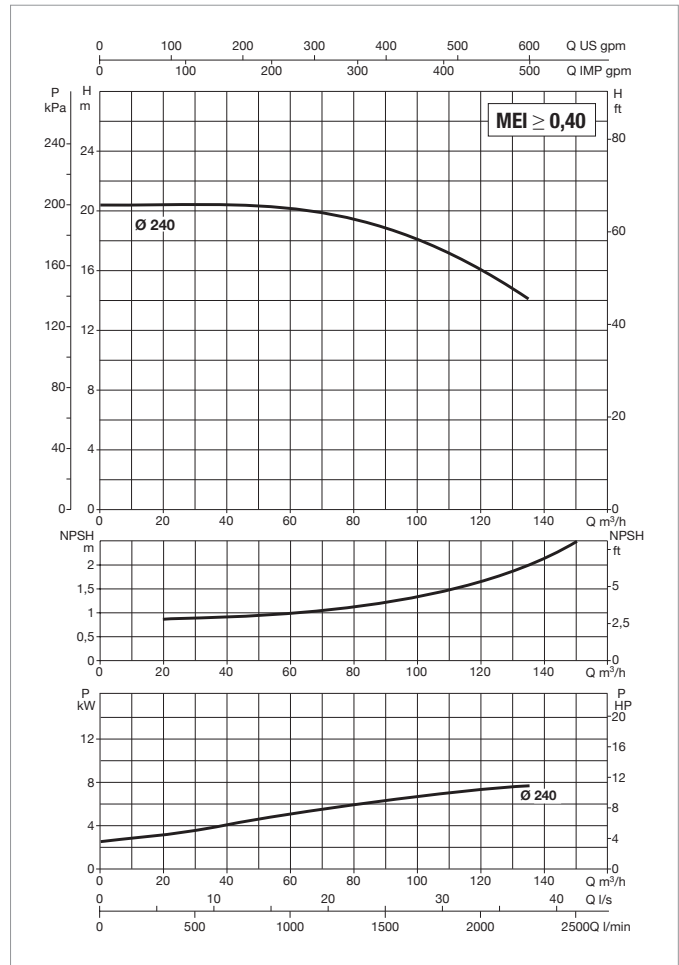
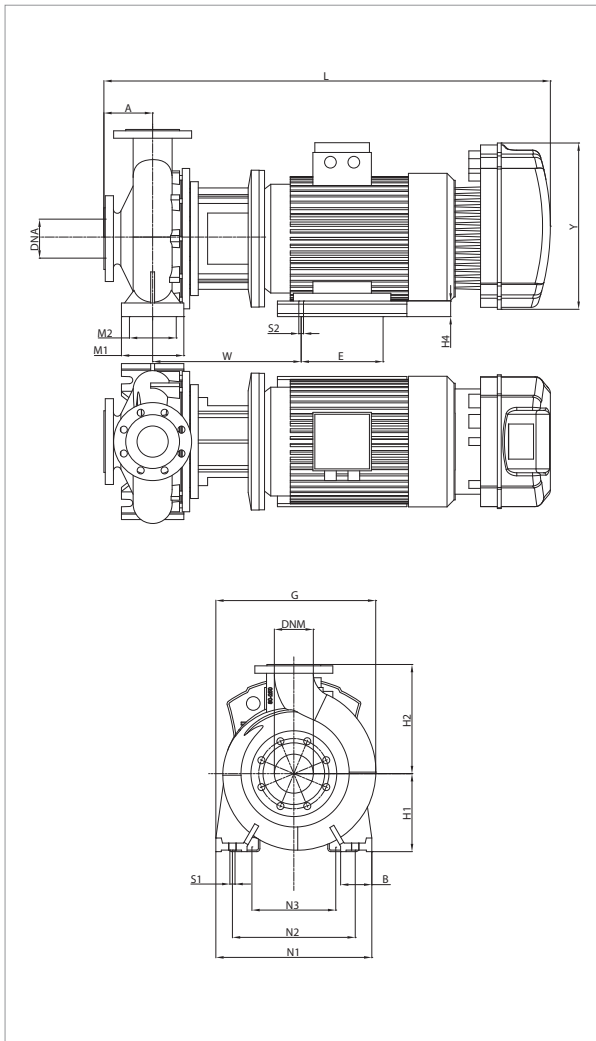
MODEL	A	B	G	H1	H2	L	M1	M2	N1	N2	S1	X	Y	PACKING DIMENSIONS			WEIGHT kg
														L/A	L/B	H	
NKM-GE 80-200/222/A/BAQE/5.5/4 T MCE55/C	125	65	365	180	250	938	125	95	345	280	M10	140	353	1100	550	620	156

NKM-GE 80-250 - STANDARDISED MONOBLOC CENTRIFUGAL ELECTRIC PUMPS WITH INVERTER FOR PRESSURISATION SYSTEMS



Pumped liquid temperature range: from -10 °C to +80 °C (MCE/P) - Maximum ambient temperature: +40 °C

≈ 1450 1/min



See hydraulic efficiency details on page 241.

The performance curves are based on kinematic viscosity values = 1 mm²/s and density equal to 1000 kg/m³. Curve tolerance according to ISO 9906.

MODEL	MCE MODEL	POWER INPUT 50 Hz	P2 NOMINAL		In A
			kW	HP	
NKM-GE 80-250/240/A/BAQE/7,5/4MCE110/P	MCE110/P	3 x 400 ~V	7,5	10,0	17,9

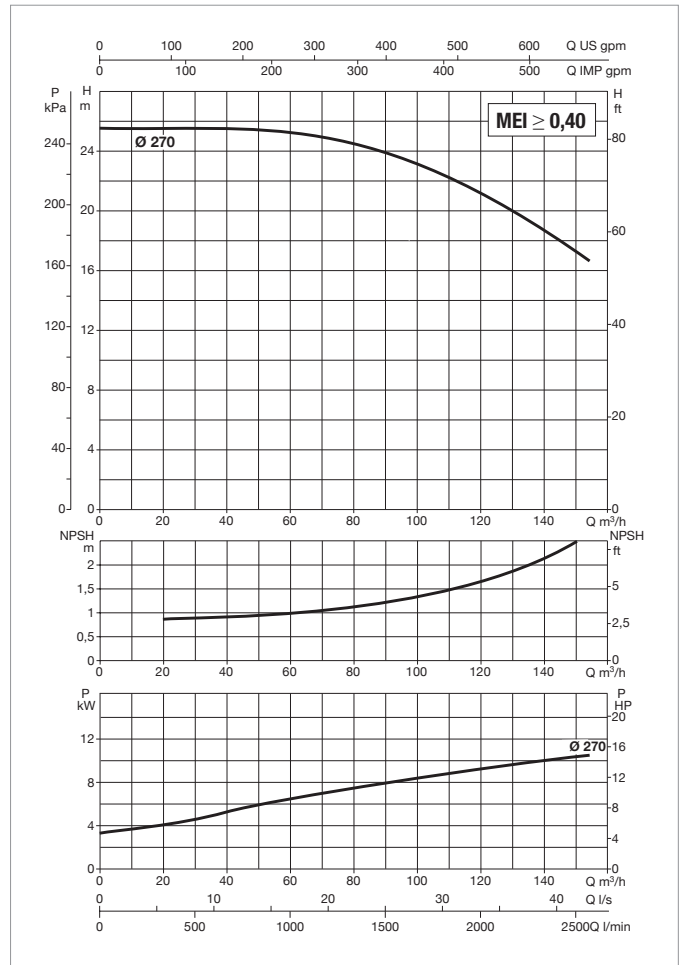
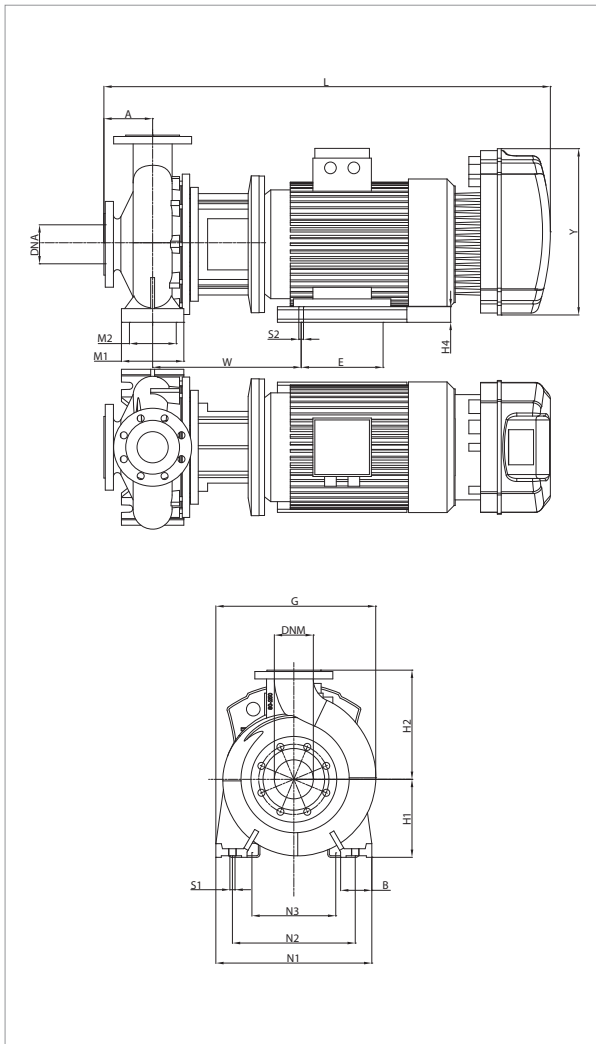
MODEL	A	B	G	H1	H2	L	M1	M2	N1	N2	S1	X	Y	PACKING DIMENSIONS			WEIGHT kg
														L/A	L/B	H	
NKM-GE 80-250/240/A/BAQE/7,5/4MCE110/P	125	80	410	200	280	1048	160	120	400	315	M14	140	426	1386	526	676	185

NKM-GE 80-250 - STANDARDISED MONOBLOC CENTRIFUGAL ELECTRIC PUMPS WITH INVERTER FOR CIRCULATION SYSTEMS



Pumped liquid temperature range: from -10 °C to +140 °C (MCE/C) - Maximum ambient temperature: +40 °C

≅ 1450 1/min



See hydraulic efficiency details on page 241.

The performance curves are based on kinematic viscosity values = 1 mm²/s and density equal to 1000 kg/m³. Curve tolerance according to ISO 9906.

MODEL	MCE MODEL	POWER INPUT 50 Hz	P2 NOMINAL		In A
			kW	HP	
NKM-GE 80-250/270/A/BAQE/11/4 T MCE110/C	MCE110/C	3 x 400 ~V	11,00	15,00	24,4

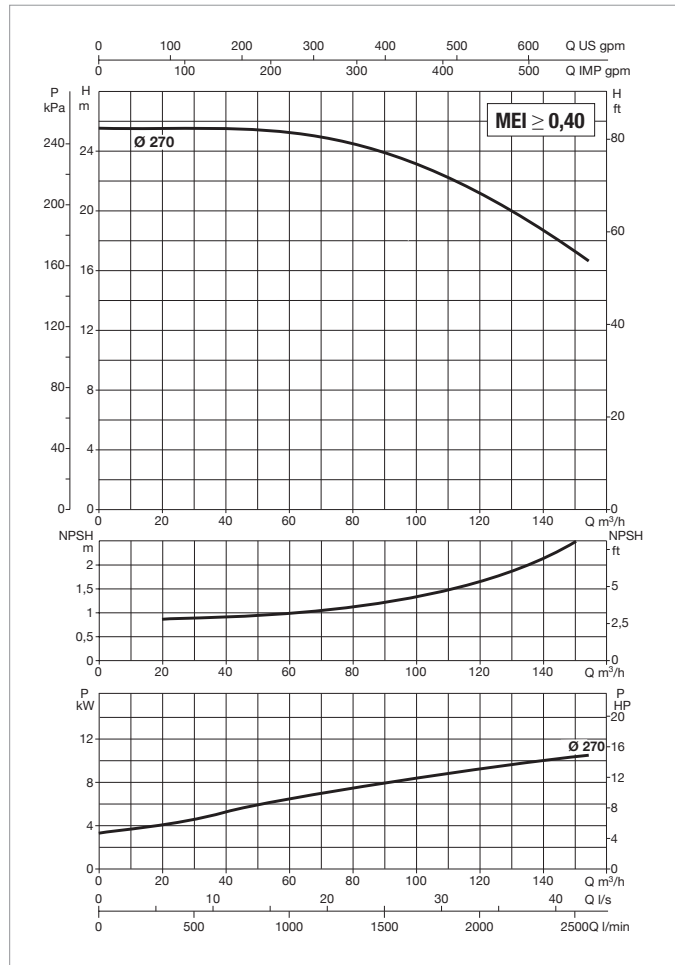
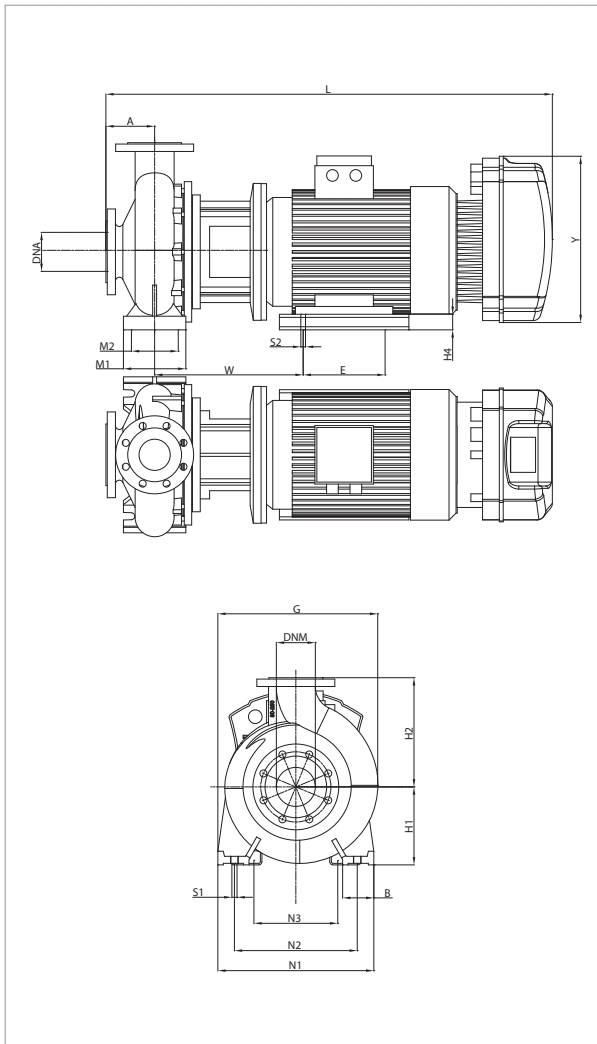
MODEL	A	B	E	G	H1	H2	H4	L	M1	M2	N1	N2	S1	S2	W	X	Y	PACKING DIMENSIONS			WEIGHT kg
																		L/A	L/B	H	
NKM-GE 80-250/270/A/BAQE/11/4 T MCE110/C	125	80	210	410	200	280	40	1108	160	120	400	315	M14	M12	381	140	426	1250	560	575	237

NKM-GE 80-250 - STANDARDISED MONOBLOC CENTRIFUGAL ELECTRIC PUMPS WITH INVERTER FOR PRESSURISATION SYSTEMS



Pumped liquid temperature range: from -10 °C to +80 °C (MCE/P) - Maximum ambient temperature: +40 °C

≈ 1450 1/min



See hydraulic efficiency details on page 241.

The performance curves are based on kinematic viscosity values = 1 mm²/s and density equal to 1000 kg/m³. Curve tolerance according to ISO 9906.

MODEL	MCE MODEL	POWER INPUT 50 Hz	P2 NOMINAL		In A
			kW	HP	
NKM-GE80-250/270/A/BAQE/11/4 MCE150/P	MCE150/P	3 x 400 ~V	11,0	15,0	27,2

MODEL	A	B	E	G	H1	H2	H4	L	M1	M2	N1	N2	S1	S2	W	X	Y	PACKING DIMENSIONS			WEIGHT kg
																		L/A	L/B	H	
NKM-GE80-250/270/A/BAQE/11/4 MCE150/P	125	80	210	140	200	280	40	1153	160	120	400	315	M14	M12	381	140	426	1386	526	676	237

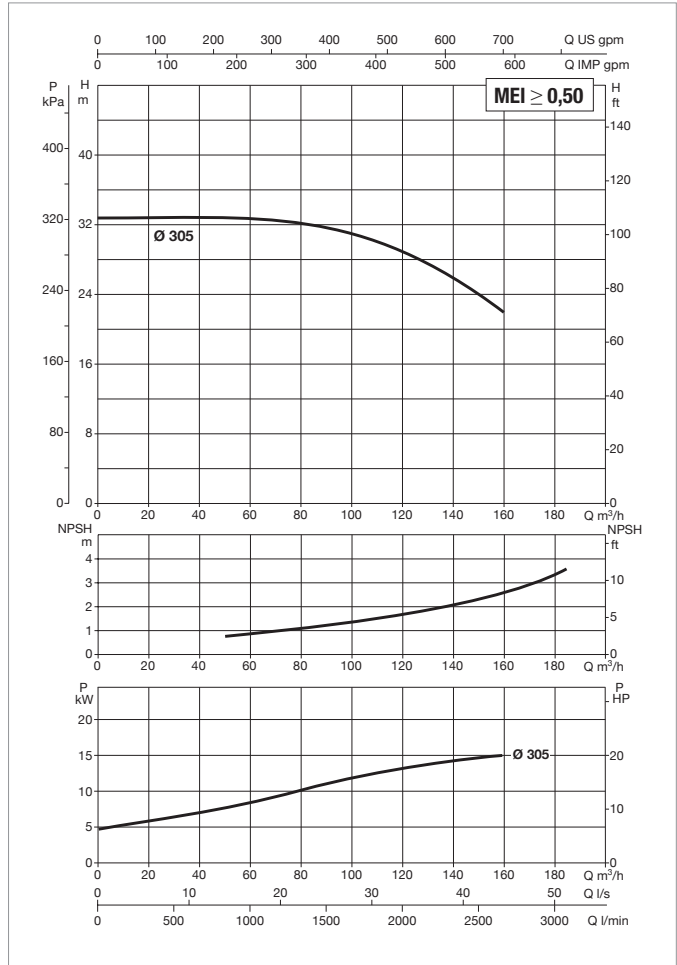
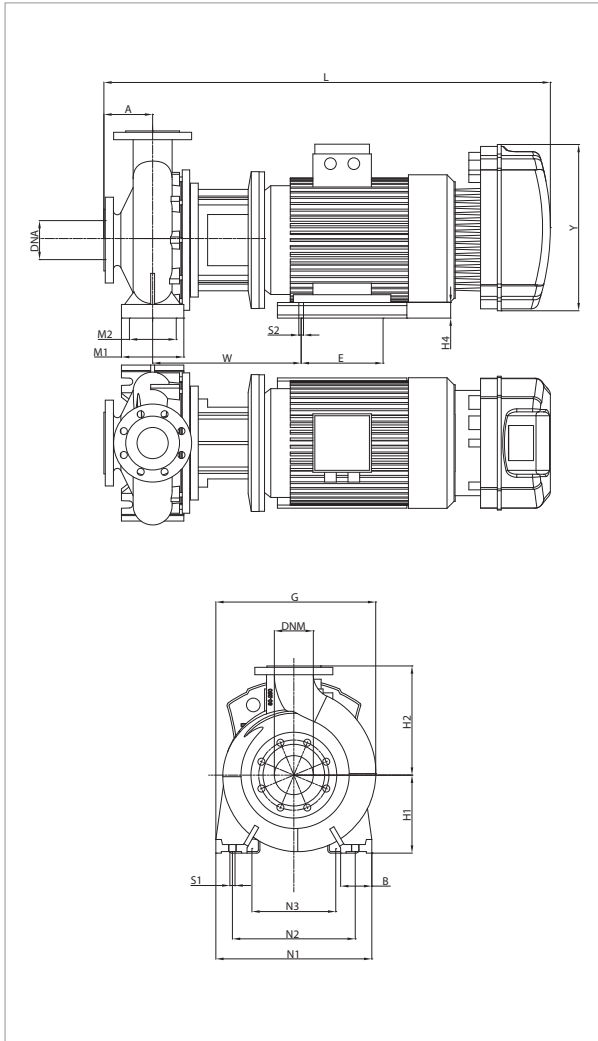
NKM-GE 80-315 - STANDARDISED MONOBLOC CENTRIFUGAL ELECTRIC PUMPS



WITH INVERTER FOR CIRCULATION OR PRESSURISATION SYSTEMS

Pumped liquid temperature range: from -10 °C to +140 °C (MCE/C) - from -10 °C to +80 °C (MCE/P) - Maximum ambient temperature: +40 °C

≈ 1450 1/min



See hydraulic efficiency details on page 241.

The performance curves are based on kinematic viscosity values = 1 mm²/s and density equal to 1000 kg/m³. Curve tolerance according to ISO 9906.

MODEL	MCE MODEL	POWER INPUT 50 Hz	P2 NOMINAL		In A
			kW	HP	
NKM-GE 80-315/305/A/BAQE/15/4 T MCE150/C-P	MCE150/C - MCE150/P	3 x 400 ~V	15,00	20,00	34,7

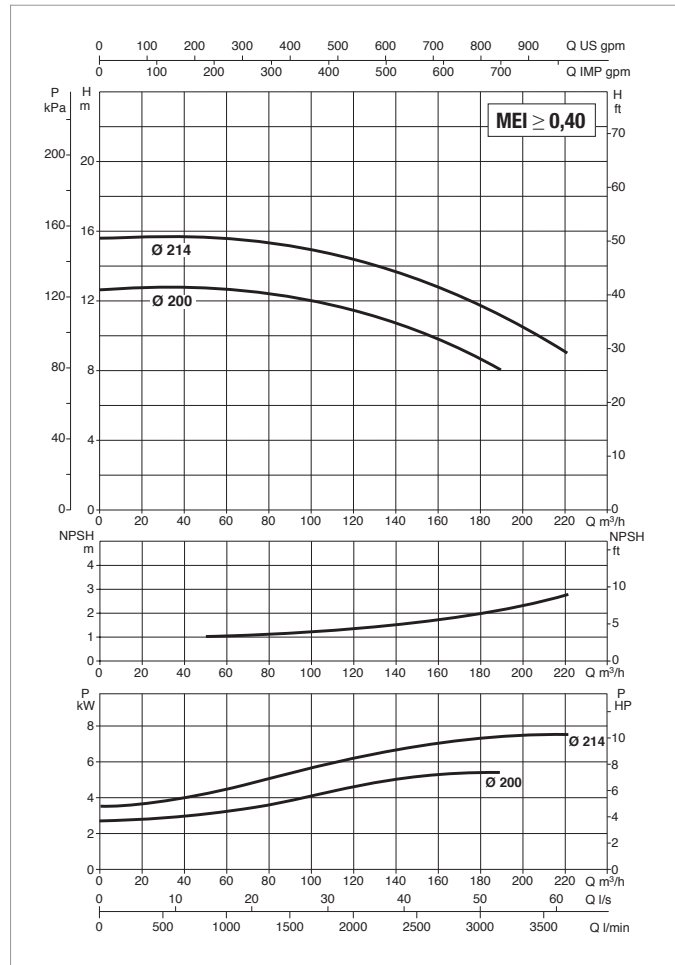
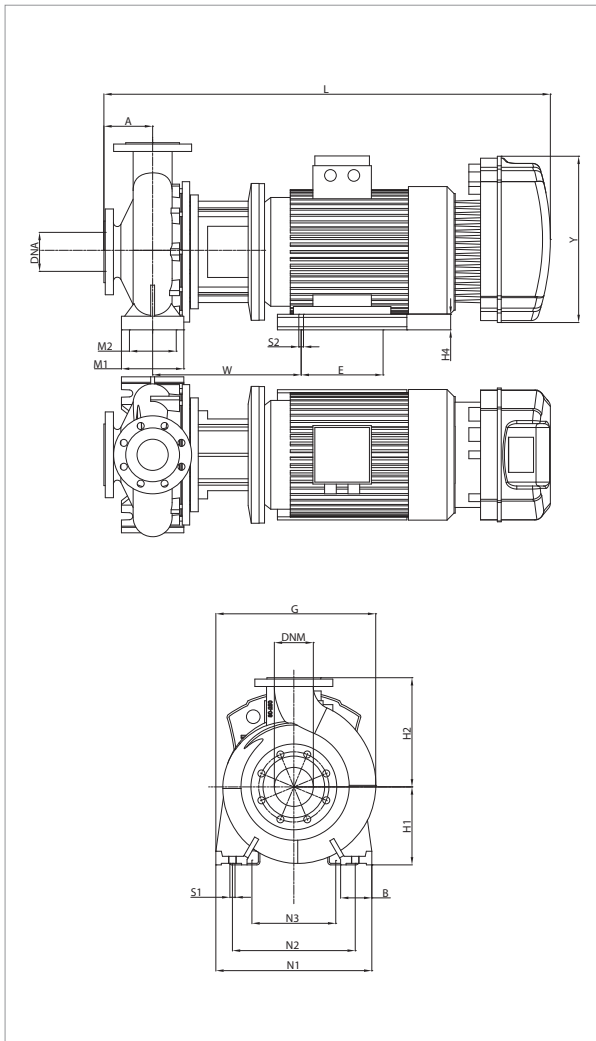
MODEL	A	B	E	G	H1	H2	H4	L	M1	M2	N1	N2	S1	S2	W	X	Y	PACKING DIMENSIONS			WEIGHT kg
																		L/A	L/B	H	
NKM-GE 80-315/305/A/BAQE/15/4 T MCE150/C-P	125	80	254	460	250	315	90	1188	160	120	400	315	M14	M12	402	140	426	1250	560	575	294

NKM-GE 100-200 - STANDARDISED MONOBLOC CENTRIFUGAL ELECTRIC PUMPS WITH INVERTER FOR CIRCULATION SYSTEMS



Pumped liquid temperature range: from -10 °C to +140 °C (MCE/C) - Maximum ambient temperature: +40 °C

≅ 1450 1/min



See hydraulic efficiency details on page 241.

The performance curves are based on kinematic viscosity values = 1 mm²/s and density equal to 1000 kg/m³. Curve tolerance according to ISO 9906.

MODEL	MCE MODEL	POWER INPUT 50 Hz	P2 NOMINAL		In A
			kW	HP	
NKM-GE 100-200/200/A/BAQE/5.5/4 T MCE55/C	MCE55/C	3 x 400 ~V	5,50	7,50	13,7
NKM-GE 100-200/214A/BAQE/7.5/4 T MCE110/C	MCE110/C	3 x 400 ~V	7,50	10,00	17,7

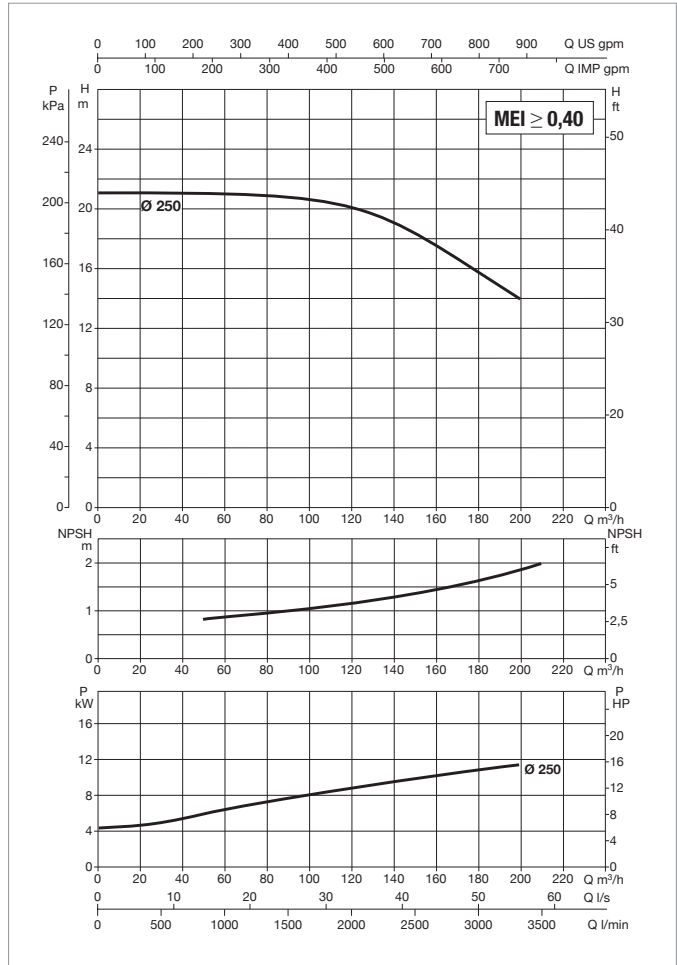
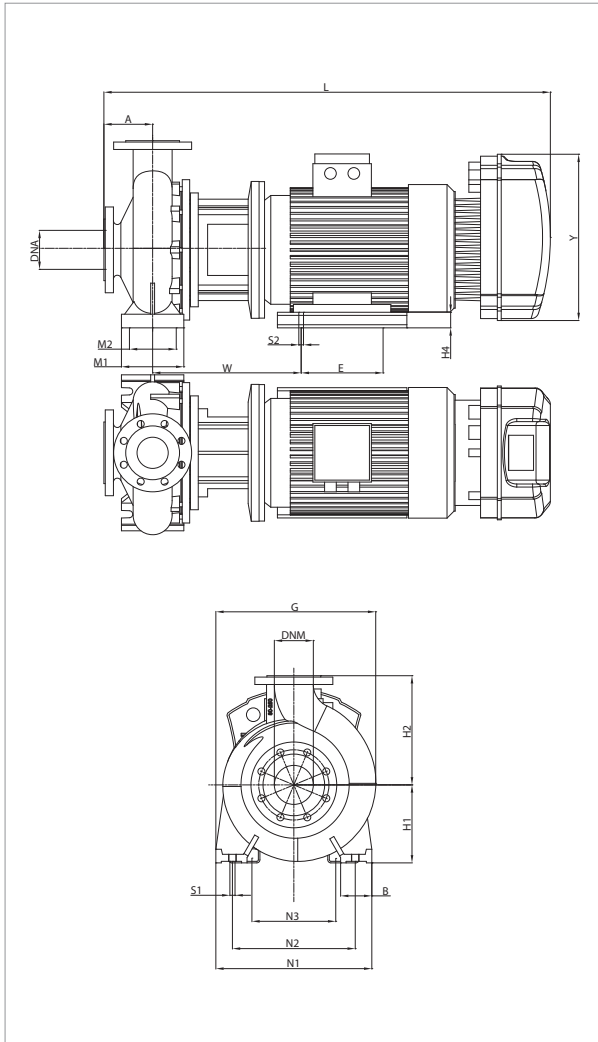
MODEL	A	B	G	H1	H2	L	M1	M2	N1	N2	S1	X	Y	PACKING DIMENSIONS			WEIGHT kg
														L/A	L/B	H	
NKM-GE 100-200/200/A/BAQE/5.5/4 T MCE55/C	125	80	392	200	280	938	160	120	360	280	M14	140	353	1100	550	620	169
NKM-GE 100-200/214A/BAQE/7.5/4 T MCE110/C	125	80	392	200	280	1026	160	120	360	280	M14	140	426	1100	550	620	181

NKM-GE 100-250 - STANDARDISED MONOBLOC CENTRIFUGAL ELECTRIC PUMPS WITH INVERTER FOR CIRCULATION SYSTEMS



Pumped liquid temperature range: from -10 °C to +140 °C (MCE/C) - Maximum ambient temperature: +40 °C

≈ 1450 1/min



See hydraulic efficiency details on page 241.

The performance curves are based on kinematic viscosity values = 1 mm²/s and density equal to 1000 kg/m³. Curve tolerance according to ISO 9906.

MODEL	MCE MODEL	POWER INPUT 50 Hz	P2 NOMINAL		In A
			kW	HP	
NKM-GE 100-250/250/A/BAQE/11/4 T MCE110/C	MCE110/C	3 x 400 ~V	11,00	15,00	26,0

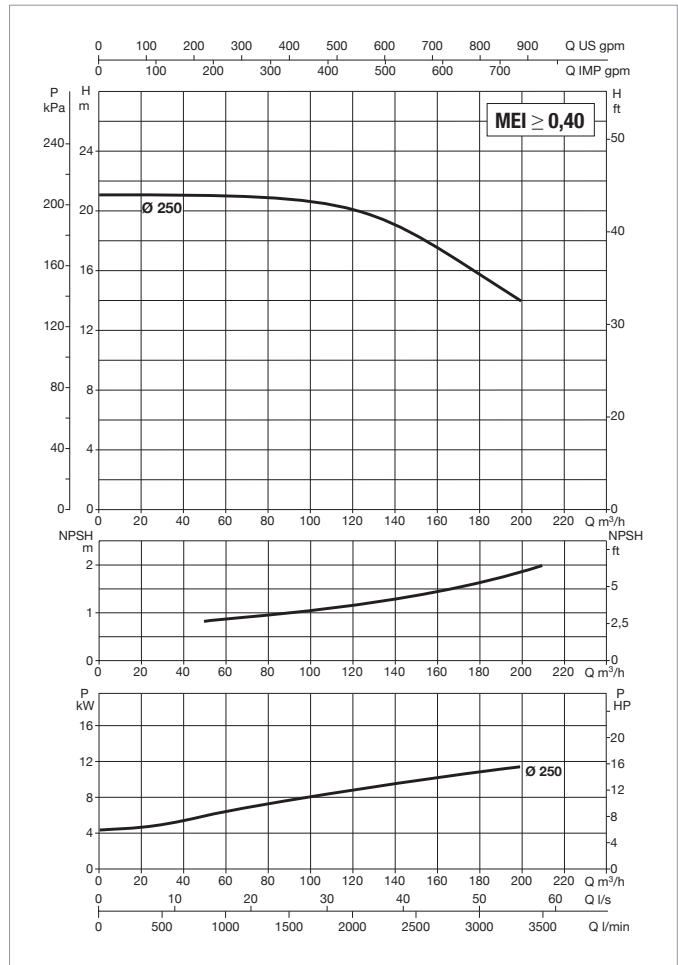
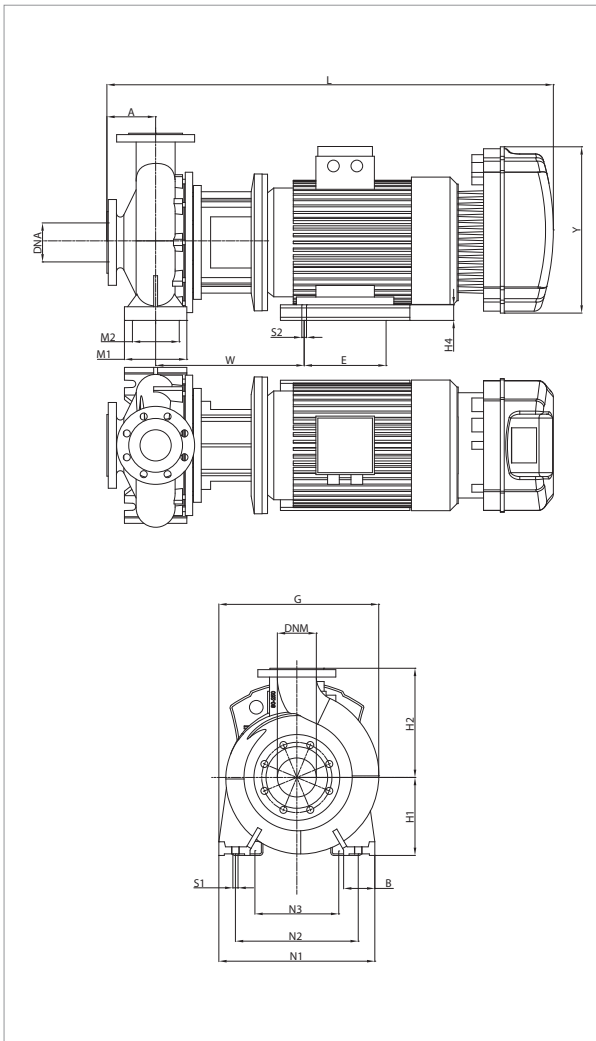
MODEL	A	B	E	G	H1	H2	H4	L	M1	M2	N1	N2	S1	S2	W	X	Y	PACKING DIMENSIONS			WEIGHT kg
																		L/A	L/B	H	
NKM-GE 100-250/250/A/BAQE/11/4 T MCE110/C	140	80	210	424	225	280	65	1123	160	120	400	315	M14	M12	381	140	426	1250	560	575	245

NKM-GE 100-250 - STANDARDISED MONOBLOC CENTRIFUGAL ELECTRIC PUMPS WITH INVERTER FOR PRESSURISATION SYSTEMS

Pumped liquid temperature range: from -10 °C to +80 °C (MCE/P) - Maximum ambient temperature: +40 °C



≈ 1450 1/min



See hydraulic efficiency details on page 241.

The performance curves are based on kinematic viscosity values = 1 mm²/s and density equal to 1000 kg/m³. Curve tolerance according to ISO 9906.

MODEL	MCE MODEL	POWER INPUT 50 Hz	P2 NOMINAL		In A
			kW	HP	
NKM-GE100-250/250/A/BAQE/11/4 MCE150/P	MCE150/P	3 x 400 ~V	11,0	15,0	27,2

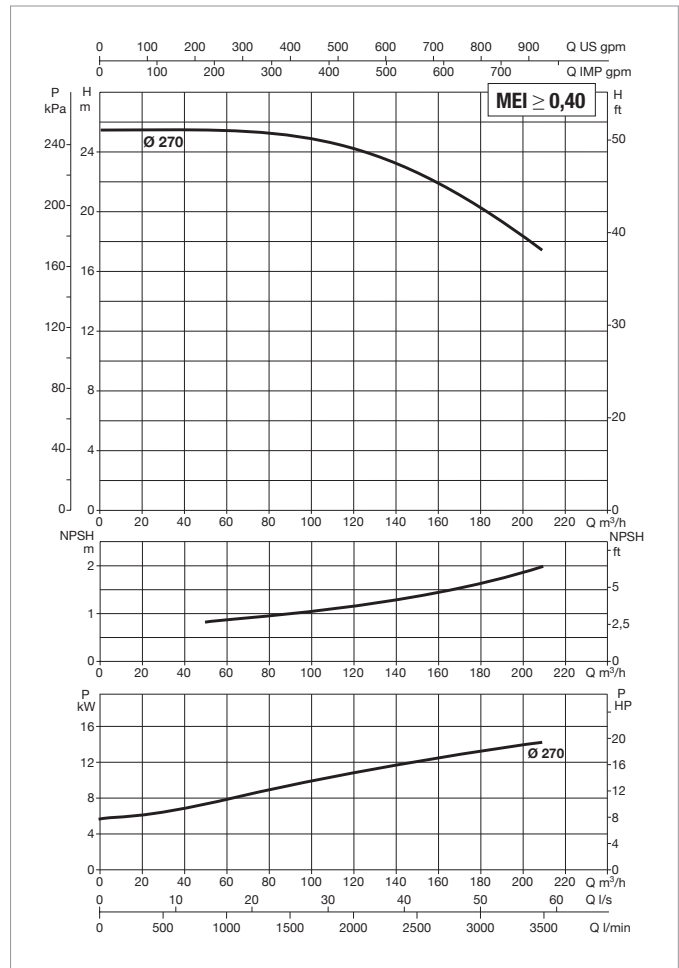
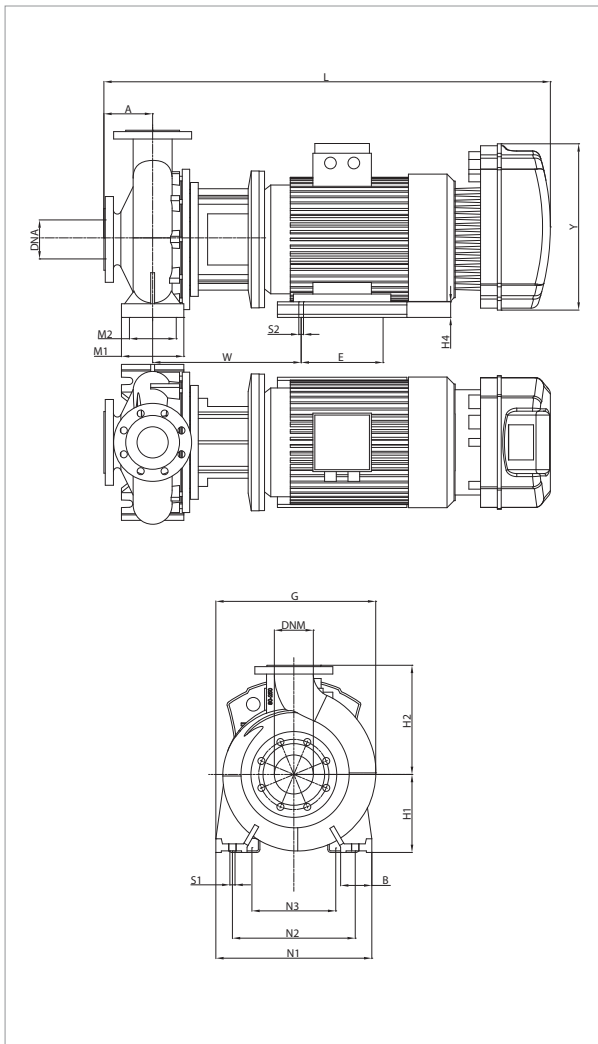
MODEL	A	B	E	G	H1	H2	H4	L	M1	M2	N1	N2	S1	S2	W	X	Y	PACKING DIMENSIONS			WEIGHT kg
																		L/A	L/B	H	
NKM-GE100-250/250/A/BAQE/11/4 MCE150/P	140	80	210	424	225	280	65	1168	160	120	400	315	M14	M12	381	140	426	1386	526	676	245

NKM-GE 100-250 - STANDARDISED MONOBLOC CENTRIFUGAL ELECTRIC PUMPS



WITH INVERTER FOR CIRCULATION OR PRESSURISATION SYSTEMS

Pumped liquid temperature range: from -10 °C to +140 °C (MCE/C) - from -10 °C to +80 °C (MCE/P) - Maximum ambient temperature: +40 °C
 ≅ 1450 1/min



See hydraulic efficiency details on page 241.

The performance curves are based on kinematic viscosity values = 1 mm²/s and density equal to 1000 kg/m³. Curve tolerance according to ISO 9906.

MODEL	MCE MODEL	POWER INPUT 50 Hz	P2 NOMINAL		In A
			kW	HP	
NKM-GE 100-250/270/A/BAQE/15/4 T MCE150/C-P	MCE150/C - MCE150/P	3 x 400 ~V	15,00	20,00	33,2

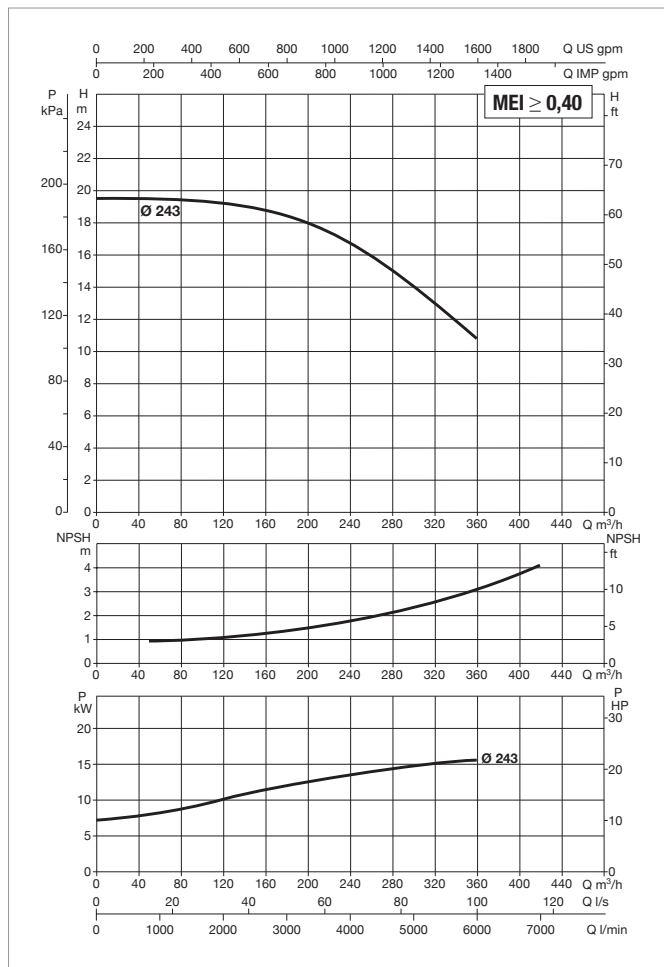
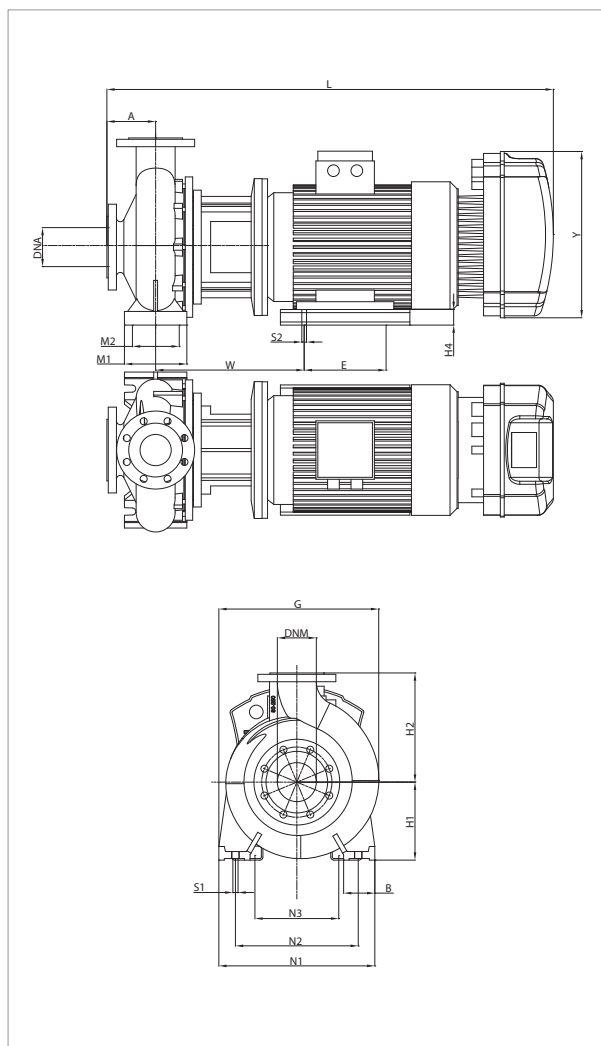
MODEL	A	B	E	G	H1	H2	H4	L	M1	M2	N1	N2	S1	S2	W	X	Y	PACKING DIMENSIONS			WEIGHT kg
																		L/A	L/B	H	
NKM-GE 100-250/270/A/BAQE/15/4 T MCE150/C-P	140	80	254	424	225	280	65	1203	160	120	400	315	M14	M12	381	140	426	1250	560	575	268

NKM-GE 125-250 - STANDARDISED MONOBLOC CENTRIFUGAL ELECTRIC PUMPS

WITH INVERTER FOR CIRCULATION OR PRESSURISATION SYSTEMS



Pumped liquid temperature range: from -10 °C to +140 °C (MCE/C) - from -10 °C to +80 °C (MCE/P) - Maximum ambient temperature: +40 °C
 ≅ 1450 1/min



See hydraulic efficiency details on page 241.

The performance curves are based on kinematic viscosity values = 1 mm²/s and density equal to 1000 kg/m³. Curve tolerance according to ISO 9906.

MODEL	MCE MODEL	POWER INPUT 50 Hz	P2 NOMINAL		In A
			kW	HP	
NKM-GE 125-250/243/A/BAQE/15/4 T MCE150/C-P	MCE150/C - MCE150/P	3 x 400 ~V	15,00	20,00	36,7

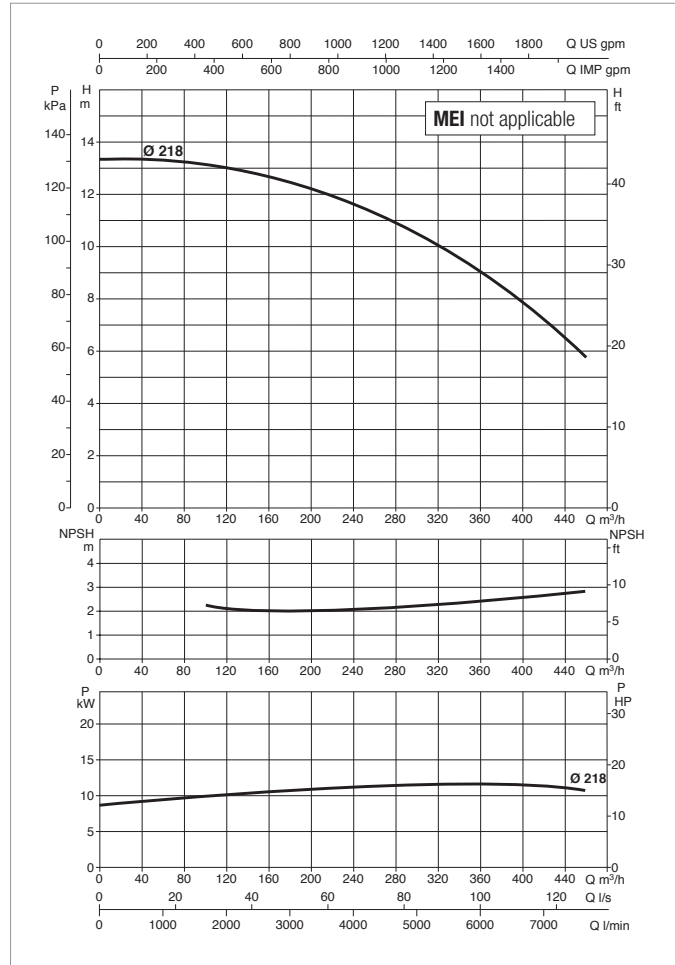
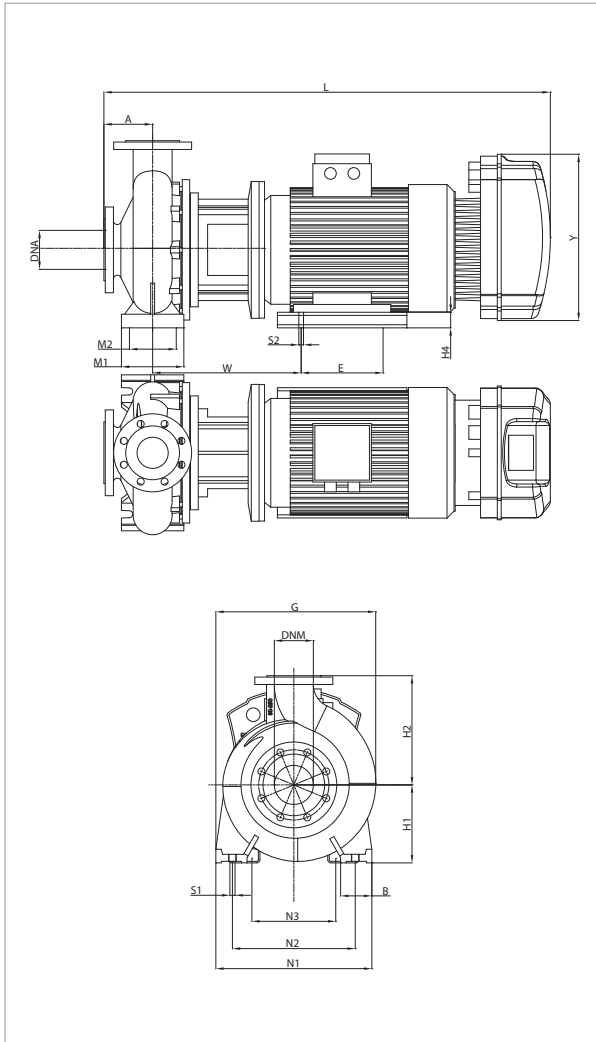
MODEL	A	B	E	G	H1	H2	H4	L	M1	M2	N1	N2	S1	S2	W	X	Y	PACKING DIMENSIONS			WEIGHT kg
																		L/A	L/B	H	
NKM-GE 125-250/243/A/BAQE/15/4 T MCE150/C-P	140	80	254	472	250	355	90	1203	160	120	400	315	M14	M12	381	140	426	1500	660	725	305

NKM-GE 150-200 - STANDARDISED MONOBLOC CENTRIFUGAL ELECTRIC PUMPS WITH INVERTER FOR CIRCULATION SYSTEMS



Pumped liquid temperature range: from -10 °C to +140 °C (MCE/C) - Maximum ambient temperature: +40 °C

≅ 1450 1/min



See hydraulic efficiency details on page 241.

The performance curves are based on kinematic viscosity values = 1 mm²/s and density equal to 1000 kg/m³. Curve tolerance according to ISO 9906.

MODEL	MCE MODEL	POWER INPUT 50 Hz	P2 NOMINAL		In A
			kW	HP	
NKM-GE 150-200/218/A/BAQE/11/4 T MCE110/C	MCE110/C	3 x 400 ~V	11,00	15,00	27,8

MODEL	A	B	E	G	H1	H2	H4	L	M1	M2	N1	N2	S1	S2	W	X	Y	PACKING DIMENSIONS			WEIGHT kg
																		L/A	L/B	H	
NKM-GE 150-200/218/A/BAQE/11/4 T MCE110/C	160	100	210	593	280	400	120	1243	200	150	550	450	M16	M12	381	140	426	1500	660	725	406

NKP-GE - 2 POLES

STANDARDISED MONOBLOC CENTRIFUGAL ELECTRIC PUMPS WITH INVERTER

SELECTION TABLE - NKP-GE 32

MODEL	Q=m ³ /h	0	6	12	18	24	30	36	42
	Q=l/min	0	100	200	300	400	500	600	700
NKP-GE 32-125.1/115/1.1/2	H (m)	17.2	17	15	12.5				
NKP-GE 32-125.1/125/1.5/2		21	20.8	19	16.8				
NKP-GE 32-125.1/140/2.2/2		27	26.9	25.9	23	19.5			
NKP-GE 32-125/110/ 1.1 /2		15.8	15.2	14.5	12.9	9.9			
NKP-GE 32-125/120/ 1.5 /2		19.3	18.9	18.2	16.8	14.5			
NKP-GE 32-125/130/ 2.2 /2		23.6	23.1	23	21.6	19.6	16.8		
NKP-GE 32-125/142/ 3 /2		28.6	28	27.6	26.5	24.6	21.8	17.9	
NKP-GE 32-160.1 155/2.2/2		31.7	32.4	31	26.7				
NKP-GE 32-160.1 166/3 /2		36.7	37.3	36.3	32.8	27			
NKP-GE 32-160.1 177/4/2		42.7	43.4	42.6	38.5	33.9			
NKP-GE 32-160/151 /3 /2		30.5	30	29	27	24	19.5		
NKP-GE 32-160/163 /4 /2		36.2	36	35	33.5	30.5	27	22	
NKP-GE 32-160/177 /5,5/2		43.5	43.2	42.6	41.5	39	36	31.5	25.5
NKP-GE 32-200.1 188/4 /2		45.3	44.4	40.8	34.4	26.8			
NKP-GE 32-200.1 205/5.5/2		56.6	55.7	52	45.8	36.2			
NKP-GE 32-200/190/ 5.5 /2		46.9	46.5	45	43	40	35	29	
NKP-GE 32-200/210/ 7.5 /2	58.8	58	57	56	53	49	44		

SELECTION TABLE - NKP-GE 40

MODEL	Q=m ³ /h	0	6	12	18	24	30	36	42	48	54	60	66	72
	Q=l/min	0	100	200	300	400	500	600	700	800	900	1000	1100	1200
NKP-GE 40-125/107/ 1.5 /2	H (m)	14.7	14.5	14.3	13.8	13	11.8	10.5	8.6	7				
NKP-GE 40-125/120/ 2.2 /2		19	18.7	18.4	17.8	17	15.9	14.6	13	11				
NKP-GE 40-125/130/ 3 /2		22.8	22.5	22.3	22	21.2	20.2	19	17.4	15.5	13.5			
NKP-GE 40-125/139/ 4 /2		26.4	26.2	26	25.6	25	24	23	21.5	19.5	17.5	15		
NKP-GE 40-160/158/ 5.5 /2		33.7			34	33.4	32.4	31	29.5	27	24			
NKP-GE 40-160/172/ 7.5 /2		40.7			40.2	40.1	39.8	38.5	37.5	35.5	33	30	26.5	
NKP-GE 40-200/210/11 /2		57.1	57	57	56.8	56.5	56	55	53	50	47	43.5	39	
NKP-GE 40-250/230/15 /2		72.5			72.5	72	70	68	66	62.5	60	56	51.5	

NKP-GE - 2 POLES

STANDARDISED MONOBLOC CENTRIFUGAL ELECTRIC PUMPS WITH INVERTER

SELECTION TABLE - NKP-GE 50

MODEL	Q=m ³ /h	0	6	12	18	24	30	36	42	48	54	60	66	72	78	84	90	102	114			
	Q=l/min	0	100	200	300	400	500	600	700	800	900	1000	1100	1200	1300	1400	1500	1700	1900			
NKP-GE 50-125/115/ 3 /2	H (m)	17				16.5	16	15.5	15	14.5	13.7	13	12	11	10	9						
NKP-GE 50-125/125/ 4 /2		20.5				20	19.5	19.1	18.5	18	17.5	16.5	15.8	14.8	14	12.5	11.5					
NKP-GE 50-125/135/ 5.5 /2		24				23.6	23.5	23.2	22.8	22.2	21.5	21	20	19.1	18.5	17.5	16.5	13.4				
NKP-GE 50-125/144/ 7.5 /2		28				27.8	27.5	27.3	27	26.5	25.8	25.3	24.5	23.5	23	21.5	20.5	18	15.5			
NKP-GE 50-160/153/ 7.5 /2		31.9				31.5	31.5	31.5	31.2	31	30.5	29.5	28.5	27.5	26	25	23.5					
NKP-GE 50-160/169/11 /2		39.6					39.5	39.3	39.1	39	38.5	38	37.2	36.5	35	34	32.5					
NKP-GE 50-200/200/15 /2		55.1					54.7	54.6	54	53.5	52	51	49	47.5	45.5	43	41					

SELECTION TABLE - NKP-GE 65

MODEL	Q=m ³ /h	0	6	12	18	24	30	36	42	48	54	60	66	72	78	84	90	102	114	120	150		
	Q=l/min	0	100	200	300	400	500	600	700	800	900	1000	1100	1200	1300	1400	1500	1700	1900	2200	2500		
NKP-GE 65-125/127/ 5.5 /2	H (m)	19.5						19	18.9	18.7	18.4	18.1	17.5	17.2	16.9	16.5	15.8	14.5	13	12			
NKP-GE 65-125/137/ 7.5 /2		23.5						23.1	23	22.8	22.6	22.5	22	21.6	21.1	20.7	20.2	19	17.5	14.8	12		
NKP-GE 65-160/157/11 /2		32.5								32.3	32	31.9	1.3	30.2	30	29.2	28.7	27	24.8	23.6			
NKP-GE 65-160/173/15 /2		40.1								39.7	39.6	39.5	39.5	39	38.5	38.2	37.5	36	34.5	33.5	26.9		

SELECTION TABLE - NKP-GE 80

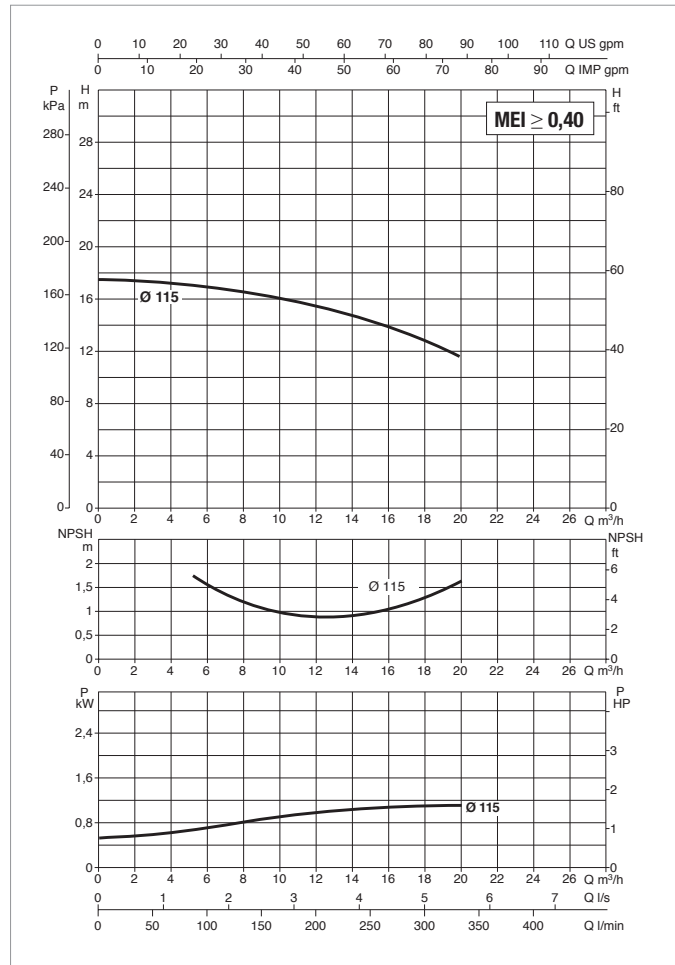
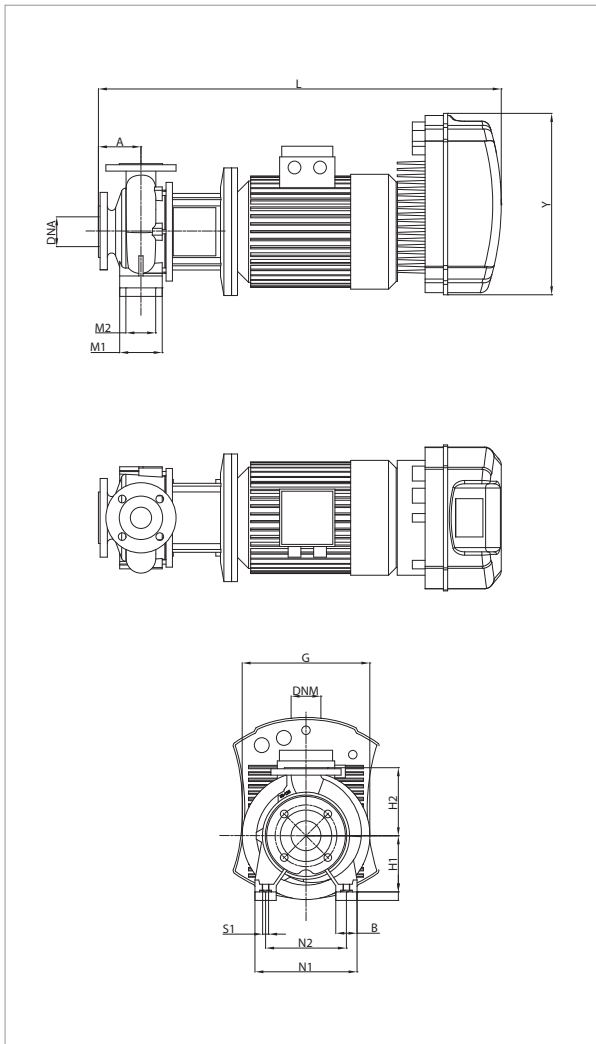
MODEL	Q=m ³ /h	0	6	12	18	24	30	36	42	48	54	60	66	72	78	84	90	102	114	120	150	180	210	240
	Q=l/min	0	100	200	300	400	500	600	700	800	900	1000	1100	1200	1300	1400	1500	1700	1900	2200	2500	3000	3500	4000
NKP-GE 80-160/147-127/11 /2	H (m)	24.5															22	21.4	20.4	20	17.4	16.8	12	
NKP-GE 80-160/153/15 /2		30.5																29	28.4	27.5	27	24.5	21.3	18.3

NKP-GE 32-125.1 - STANDARDISED MONOBLOC CENTRIFUGAL ELECTRIC PUMPS WITH INVERTER FOR CIRCULATION SYSTEMS



Pumped liquid temperature range: from -10 °C to +140 °C (MCE/C) - Maximum ambient temperature: +40 °C

≈ 2900 1/min



See hydraulic efficiency details on page 241.

The performance curves are based on kinematic viscosity values = 1 mm²/s and density equal to 1000 kg/m³. Curve tolerance according to ISO 9906.

MODEL	MCE MODEL	POWER INPUT 50 Hz	P2 NOMINAL		In A
			kW	HP	
NKP-GE 32-125.1/115/A/BAQE/1.1/2 M MCE11/C	MCE11/C	1 x 230 ~V	1,10	1,5	10,9
NKP-GE 32-125.1/115/A/BAQE/1.1/2 T MCE30/C	MCE30/C	3 x 400 ~V	1,10	1,5	t.b.d.

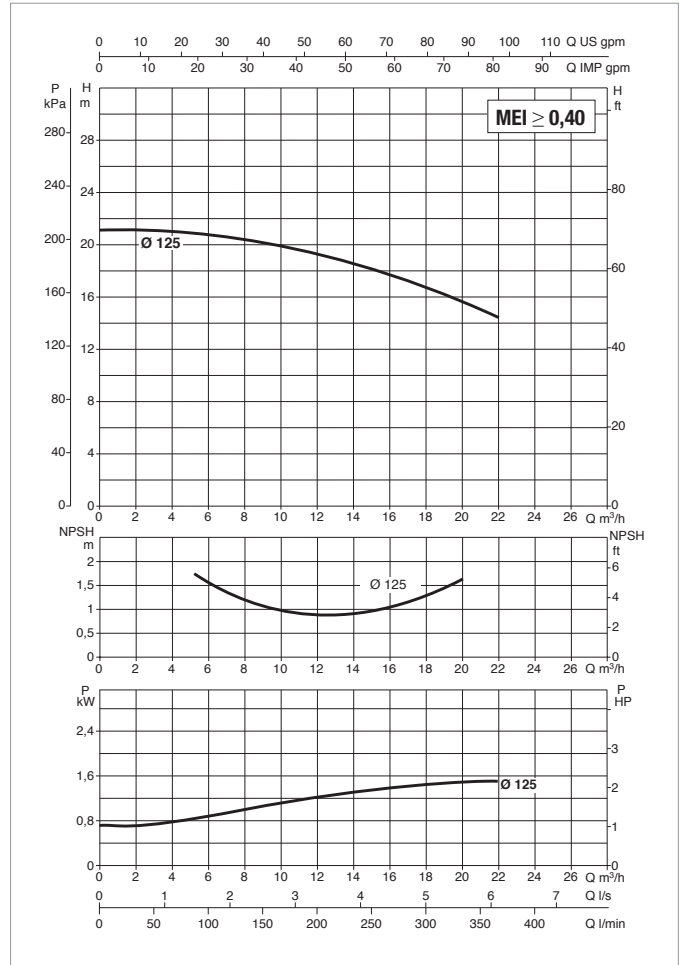
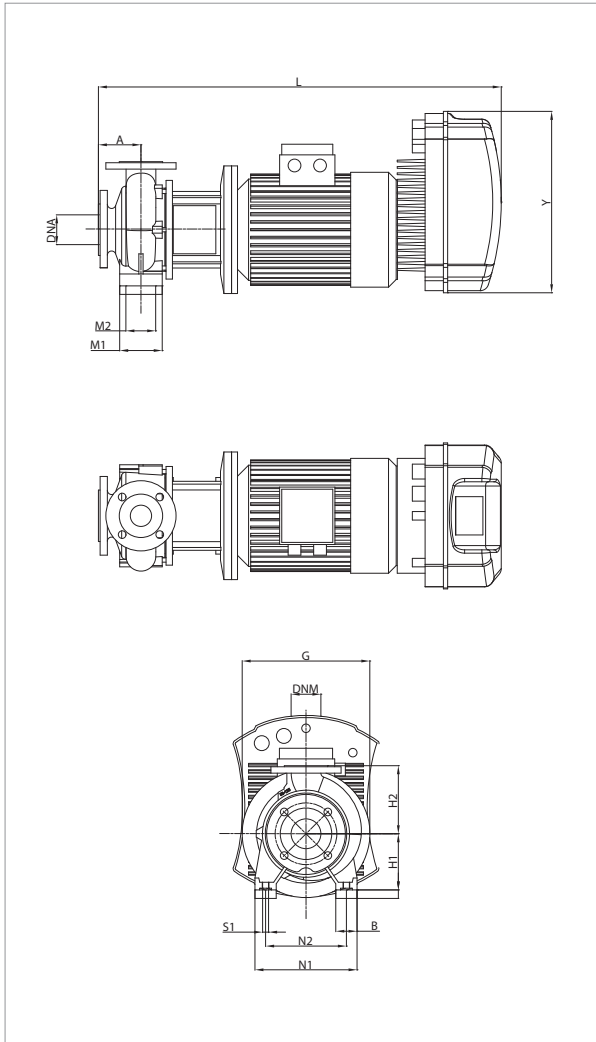
MODEL	A	B	G	H1	H2	L	M1	M2	N1	N2	S1	X	Y	PACKING DIMENSIONS			WEIGHT kg
														L/A	L/B	H	
NKP-GE 32-125.1/115/A/BAQE/1.1/2 M MCE11/C	80	50	234	112	140	660	100	70	190	140	M10	100	262	800	400	400	51
NKP-GE 32-125.1/115/A/BAQE/1.1/2 T MCE30/C	80	50	234	112	140	727	100	70	190	140	M10	100	353	800	400	400	53,6

NKP-GE 32-125.1 - STANDARDISED MONOBLOC CENTRIFUGAL ELECTRIC PUMPS WITH INVERTER FOR CIRCULATION SYSTEMS



Pumped liquid temperature range: from -10 °C to +140 °C (MCE/C) - Maximum ambient temperature: +40 °C

≈ 2900 1/min



See hydraulic efficiency details on page 241.

The performance curves are based on kinematic viscosity values = 1 mm²/s and density equal to 1000 kg/m³. Curve tolerance according to ISO 9906.

MODEL	MCE MODEL	POWER INPUT 50 Hz	P2 NOMINAL		In A
			kW	HP	
NKP-GE 32-125.1/125/A/BAQE/1.5/2 M MCE15/C	MCE15/C	1 x 230 ~V	1,50	2,0	14,7
NKP-GE 32-125.1/125/A/BAQE/1.5/2 T MCE30/C	MCE30/C	3 x 400 ~V	1,50	2,0	t.b.d.

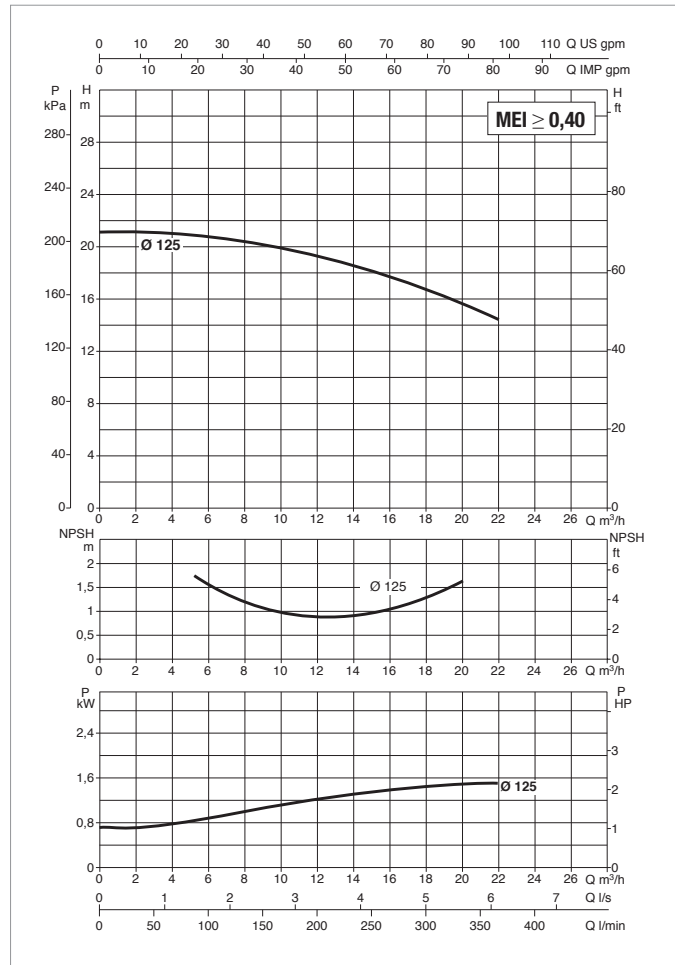
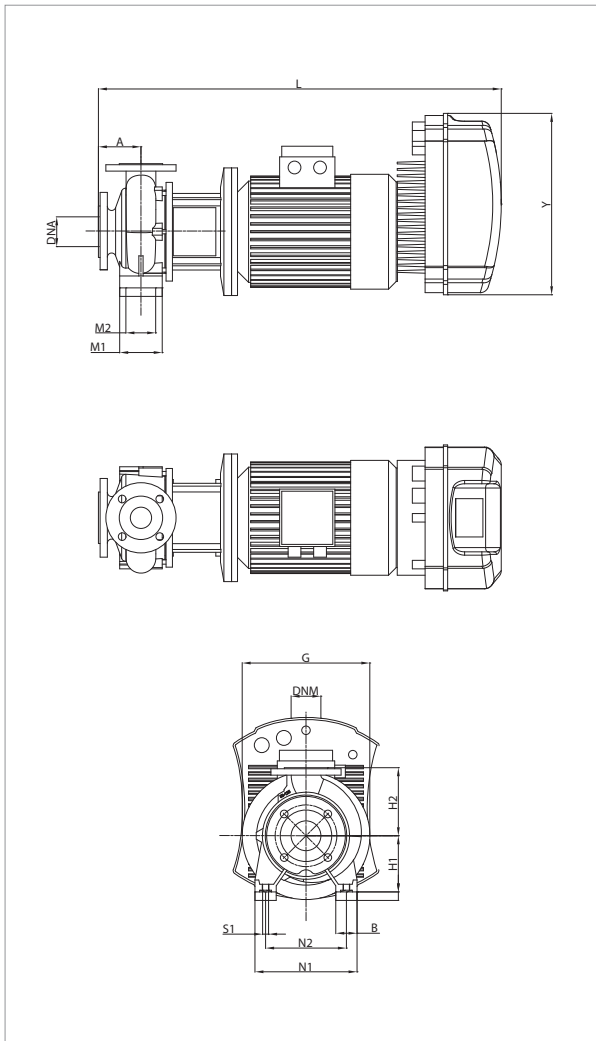
MODEL	A	B	G	H1	H2	L	M1	M2	N1	N2	S1	X	Y	PACKING DIMENSIONS			WEIGHT kg
														L/A	L/B	H	
NKP-GE 32-125.1/125/A/BAQE/1.5/2 M MCE15/C	80	50	234	112	140	673	100	70	190	140	M10	100	262	800	400	400	56
NKP-GE 32-125.1/125/A/BAQE/1.5/2 T MCE30/C	80	50	234	112	140	740	100	70	190	140	M10	100	353	800	400	400	58,6

NKP-GE 32-125.1 - STANDARDISED MONOBLOC CENTRIFUGAL ELECTRIC PUMPS WITH INVERTER FOR PRESSURISATION SYSTEMS



Pumped liquid temperature range: from -10 °C to +80 °C (MCE/P) - Maximum ambient temperature: +40 °C

≈ 2900 1/min



See hydraulic efficiency details on page 241.

The performance curves are based on kinematic viscosity values = 1 mm²/s and density equal to 1000 kg/m³. Curve tolerance according to ISO 9906.

MODEL	MCE MODEL	POWER INPUT 50 Hz	P2 NOMINAL		In A
			kW	HP	
NKP-GE32-125.1/125/A/BAQE /1.5/2 MCE22/P	MCE22/P	1 x 230 ~V	1,5	2,0	13,4

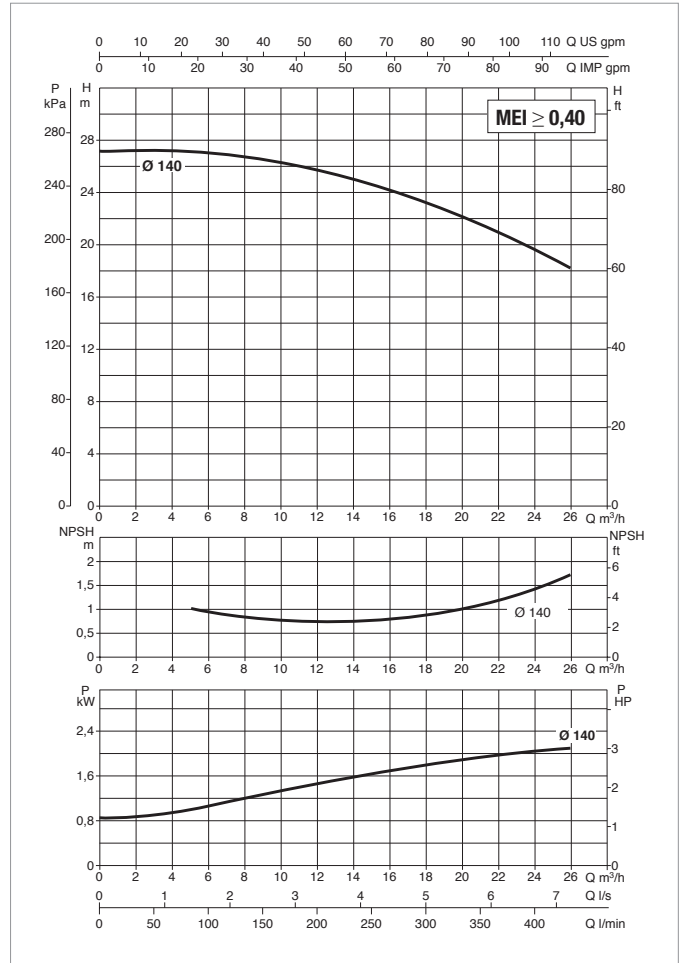
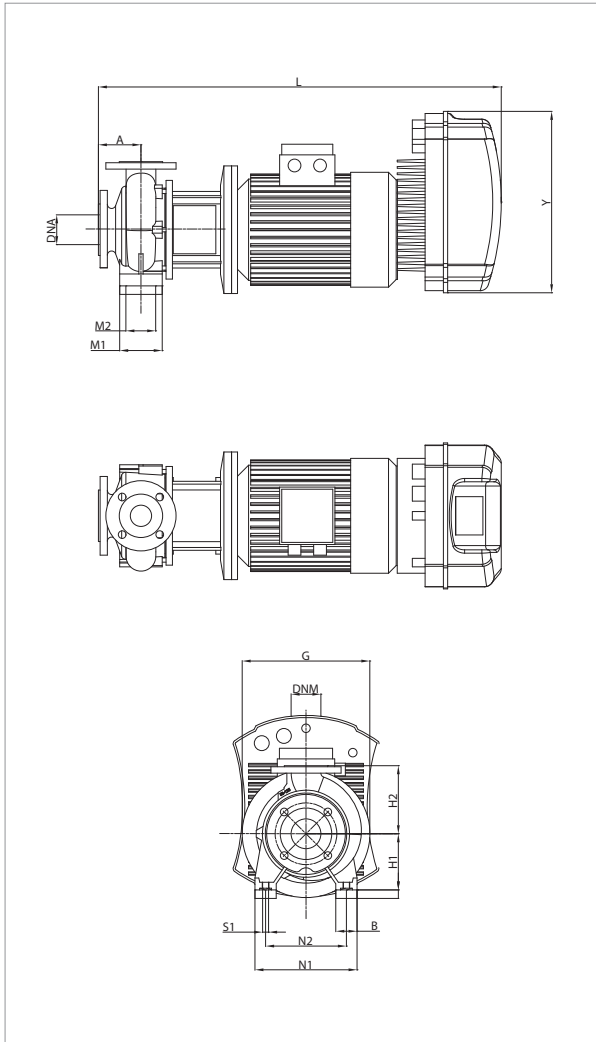
MODEL	A	B	G	H1	H2	L	M1	M2	N1	N2	S1	X	Y	PACKING DIMENSIONS			WEIGHT kg
														L/A	L/B	H	
NKP-GE32-125.1/125/A/BAQE /1.5/2 MCE22/P	80	50	234	112	140	673	100	70	190	140	M10	100	262	800	400	400	56

NKP-GE 32-125.1 - STANDARDISED MONOBLOC CENTRIFUGAL ELECTRIC PUMPS WITH INVERTER FOR CIRCULATING TEMS



Pumped liquid temperature range: from -10 °C to +140 °C (MCE/C) - Maximum ambient temperature: +40 °C

≅ 2900 1/min



See hydraulic efficiency details on page 241.

The performance curves are based on kinematic viscosity values = 1 mm²/s and density equal to 1000 kg/m³. Curve tolerance according to ISO 9906.

MODEL	MCE MODEL	POWER INPUT 50 Hz	P2 NOMINAL		In A
			kW	HP	
NKP-GE 32-125.1/140/A/BAQE/2.2/2 M MCE22/C	MCE22/C	1 x 230 ~V	2,20	3,0	19,9
NKP-GE 32-125.1/140/A/BAQE/2.2/2 T MCE30/C	MCE30/C	3 x 400 ~V	2,20	3,0	5,6

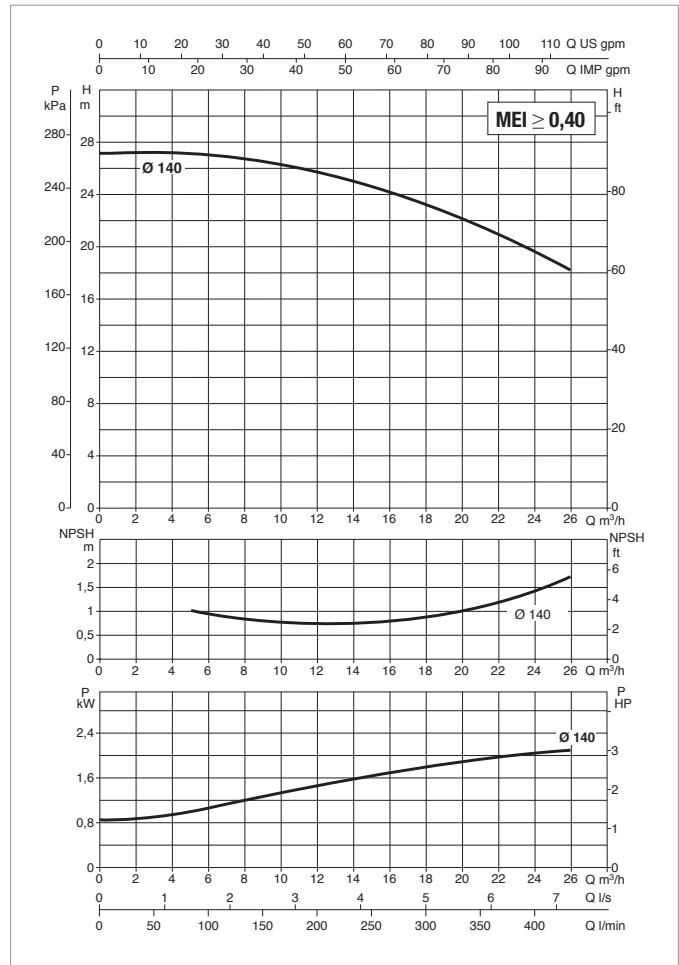
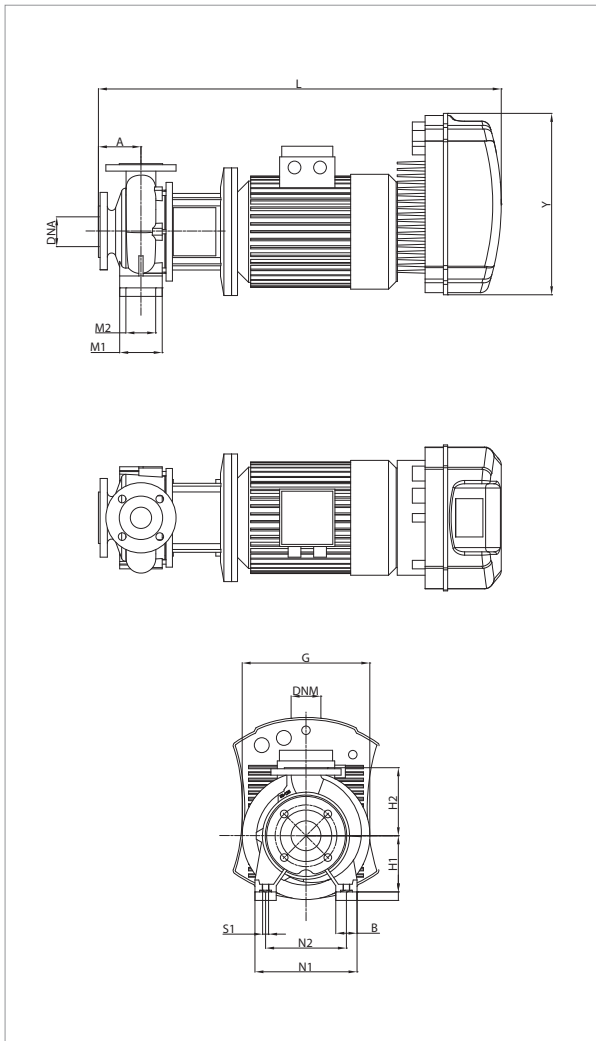
MODEL	A	B	G	H1	H2	L	M1	M2	N1	N2	S1	X	Y	PACKING DIMENSIONS			WEIGHT kg
														L/A	L/B	H	
NKP-GE 32-125.1/140/A/BAQE/2.2/2 M MCE22/C	80	50	234	112	140	698	100	70	190	140	M10	100	262	800	400	400	58
NKP-GE 32-125.1/140/A/BAQE/2.2/2 T MCE30/C	80	50	234	112	140	765	100	70	190	140	M10	100	353	800	400	400	60,6

NKP-GE 32-125.1 - STANDARDISED MONOBLOC CENTRIFUGAL ELECTRIC PUMPS WITH INVERTER FOR PRESSURISED SYSTEMS



Pumped liquid temperature range: from -10 °C to +80 °C (MCE/P) - Maximum ambient temperature: +40 °C

≈ 2900 1/min



See hydraulic efficiency details on page 241.

The performance curves are based on kinematic viscosity values = 1 mm²/s and density equal to 1000 kg/m³. Curve tolerance according to ISO 9906.

MODEL	MCE MODEL	POWER INPUT 50 Hz	P2 NOMINAL		In A
			kW	HP	
NKP-GE 32-125.1/140/A/BAQE/2.2/2 M MCE22/P	MCE22/P	3 x 400 ~V	2,2	3,0	18,47

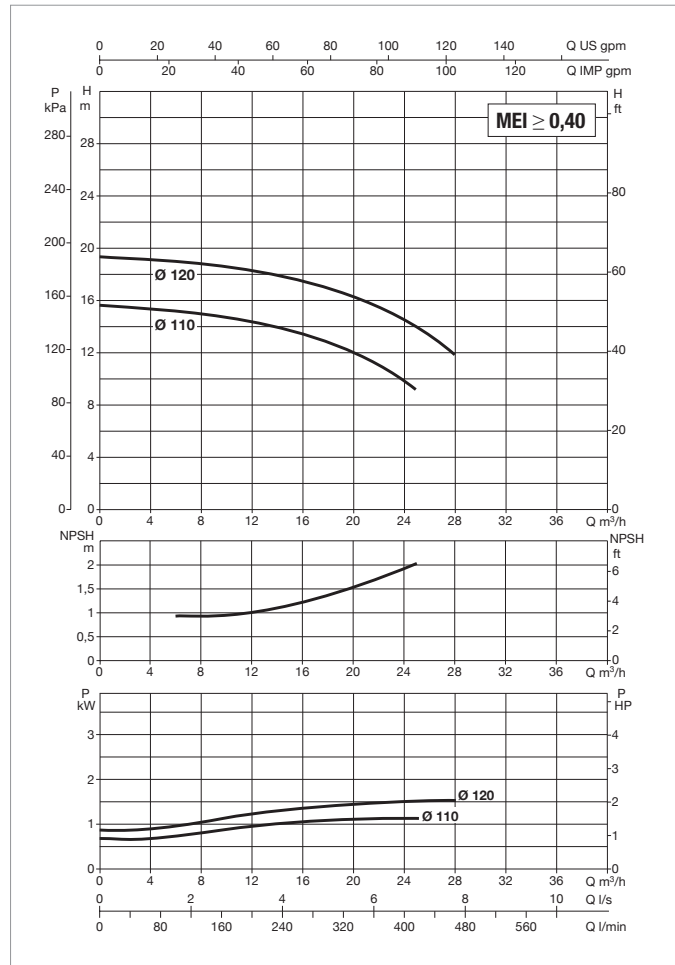
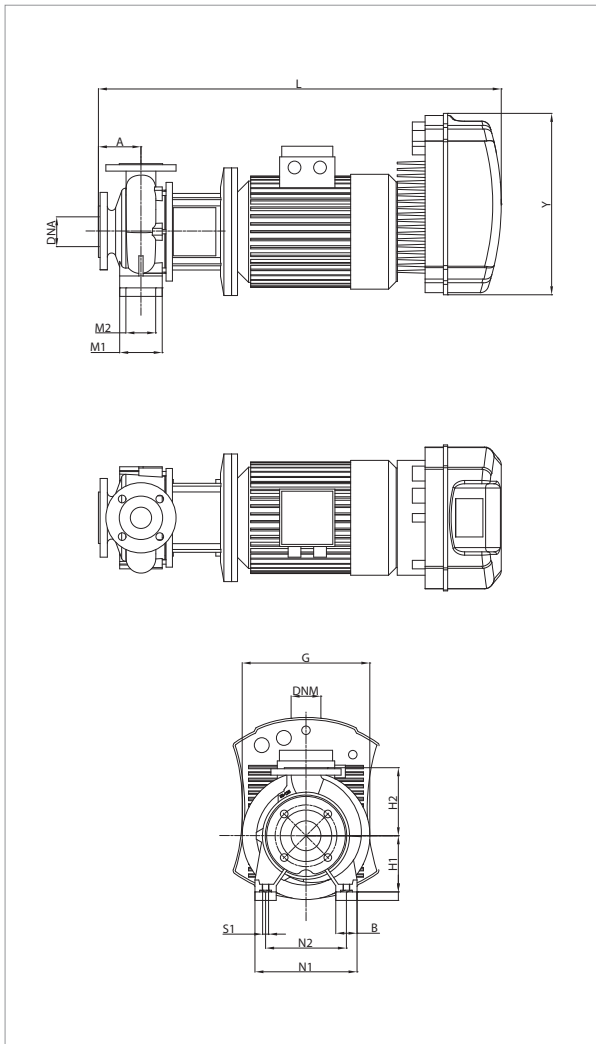
MODEL	A	B	G	H1	H2	L	M1	M2	N1	N2	S1	X	Y	PACKING DIMENSIONS			WEIGHT kg
														L/A	L/B	H	
NKP-GE 32-125.1/140/A/BAQE/2.2/2 M MCE22/P	80	50	234	112	140	698	100	70	190	140	M10	100	262	800	400	400	58

NKP-GE 32-125 - STANDARDISED MONOBLOC CENTRIFUGAL ELECTRIC PUMPS WITH INVERTER FOR CIRCULATION SYSTEMS



Pumped liquid temperature range: from -10 °C to +140 °C (MCE/C) - Maximum ambient temperature: +40 °C

≈ 2900 1/min



See hydraulic efficiency details on page 241.

The performance curves are based on kinematic viscosity values = 1 mm²/s and density equal to 1000 kg/m³. Curve tolerance according to ISO 9906.

MODEL	MCE MODEL	POWER INPUT 50 Hz	P2 NOMINAL		In A
			kW	HP	
NKP-GE 32-125/110/A/BAQE/1.1/2 M MCE11/C	MCE11/C	1 x 230 ~V	1,10	1,5	13,7
NKP-GE 32-125/110/A/BAQE/1.1/2 T MCE30/C	MCE30/C	3 x 400 ~V	1,10	1,5	t.b.d.
NKP-GE 32-125/120/A/BAQE/1.5/2 M MCE15/C	MCE15/C	1 x 230 ~V	1,50	2,0	17,9
NKP-GE 32-125/120/A/BAQE/1.5/2 T MCE30/C	MCE30/C	3 x 400 ~V	1,50	2,0	4,1

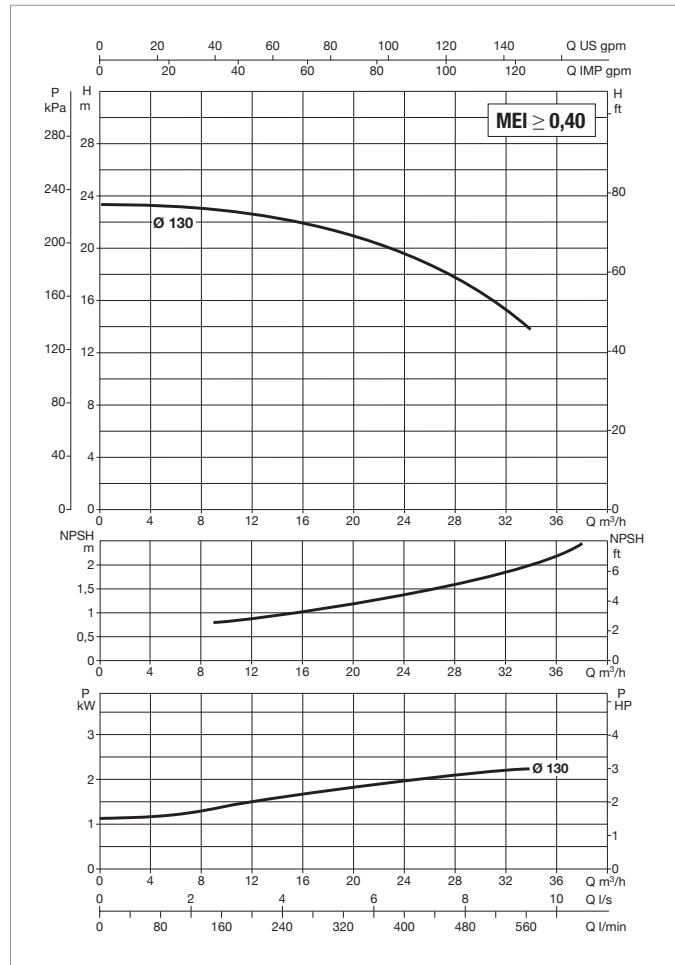
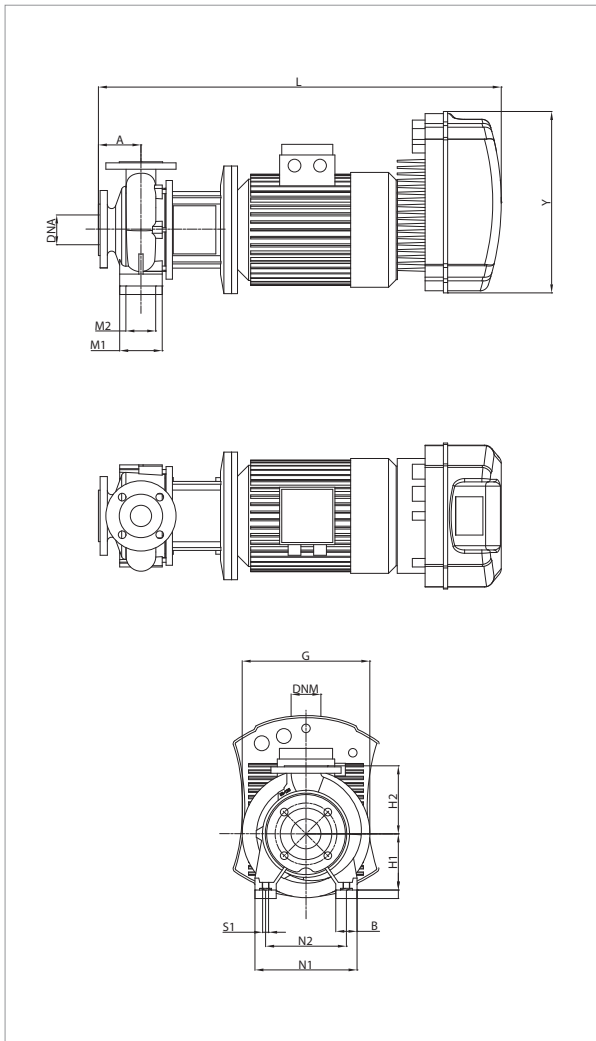
MODEL	A	B	G	H1	H2	L	M1	M2	N1	N2	S1	X	Y	PACKING DIMENSIONS			WEIGHT kg
														L/A	L/B	H	
NKP-GE 32-125/110/A/BAQE/1.1/2 M MCE11/C	80	50	234	112	140	660	100	70	190	140	M10	100	262	800	400	400	44
NKP-GE 32-125/110/A/BAQE/1.1/2 T MCE30/C	80	50	234	112	140	727	100	70	190	140	M10	100	353	800	400	400	46,6
NKP-GE 32-125/120/A/BAQE/1.5/2 M MCE15/C	80	50	234	112	140	673	100	70	190	140	M10	100	262	800	400	400	56
NKP-GE 32-125/120/A/BAQE/1.5/2 T MCE30/C	80	50	234	112	140	740	100	70	190	140	M10	100	353	800	400	400	58,6

NKP-GE 32-125 - STANDARDISED MONOBLOC CENTRIFUGAL ELECTRIC PUMPS WITH INVERTER FOR CIRCULATION SYSTEMS



Pumped liquid temperature range: from -10 °C to +140 °C (MCE/C) - Maximum ambient temperature: +40 °C

≈ 2900 1/min



See hydraulic efficiency details on page 241.

The performance curves are based on kinematic viscosity values = 1 mm²/s and density equal to 1000 kg/m³. Curve tolerance according to ISO 9906.

MODEL	MCE MODEL	POWER INPUT 50 Hz	P2 NOMINAL		In A
			kW	HP	
NKP-GE 32-125/130/A/BAQE/2.2/2 M MCE22/C	MCE22/C	1 x 230 ~V	2,20	3,0	24,3
NKP-GE 32-125/130/A/BAQE/2.2/2 T MCE30/C	MCE30/C	3 x 400 ~V	2,20	3,0	t.b.d.

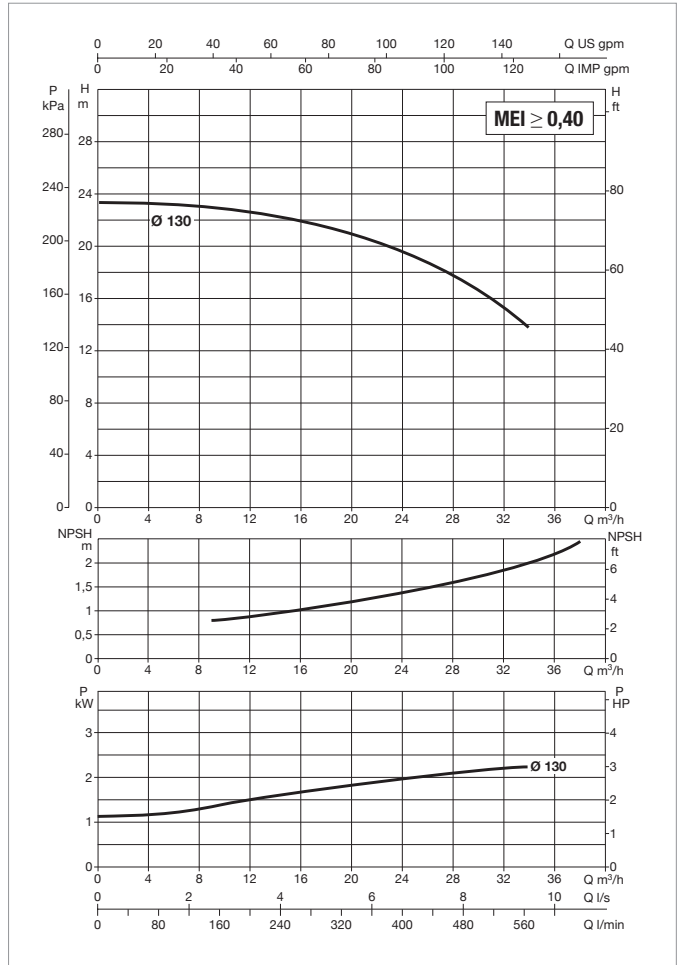
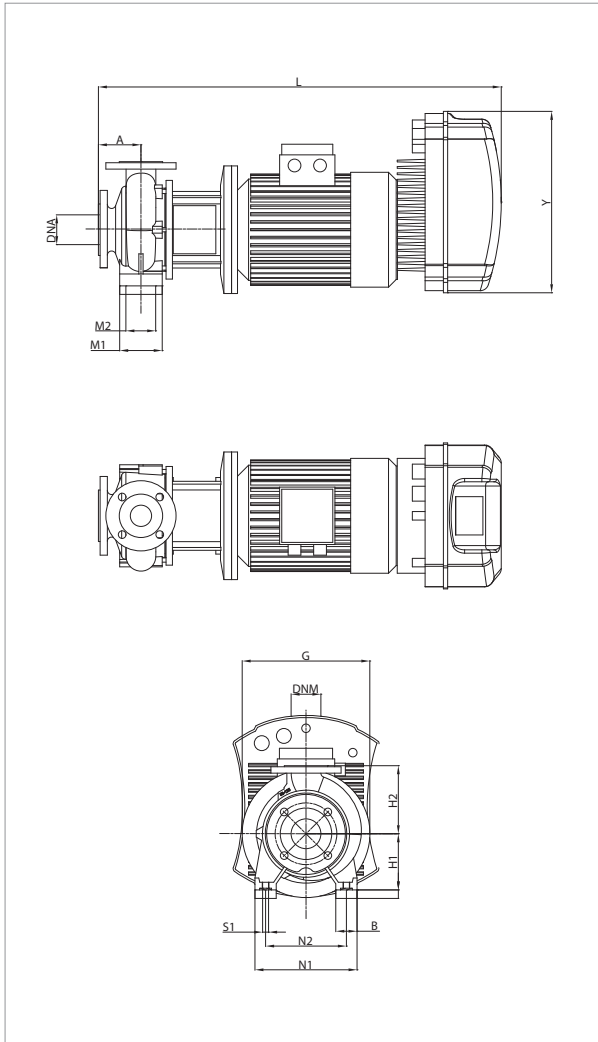
MODEL	A	B	G	H1	H2	L	M1	M2	N1	N2	S1	X	Y	PACKING DIMENSIONS			WEIGHT kg
														L/A	L/B	H	
NKP-GE 32-125/130/A/BAQE/2.2/2 M MCE22/C	80	50	234	112	140	698	100	70	190	140	M10	100	262	800	400	400	58
NKP-GE 32-125/130/A/BAQE/2.2/2 T MCE30/C	80	50	234	112	140	765	100	70	190	140	M10	100	353	800	400	400	60,6

NKP-GE 32-125 - STANDARDISED MONOBLOC CENTRIFUGAL ELECTRIC PUMPS WITH INVERTER FOR PRESSURISED SYSTEMS



Pumped liquid temperature range: from -10 °C to +80 °C (MCE/P) - Maximum ambient temperature: +40 °C

≅ 2900 1/min



See hydraulic efficiency details on page 241.

The performance curves are based on kinematic viscosity values = 1 mm²/s and density equal to 1000 kg/m³. Curve tolerance according to ISO 9906.

MODEL	MCE MODEL	POWER INPUT 50 Hz	P2 NOMINAL		In A
			kW	HP	
NKP-GE 32-125/130/A/BAQE/2.2/2 M MCE22/P	MCE22/P	1 x 230 ~V	2,2	3,0	18,55

MODEL	A	B	G	H1	H2	L	M1	M2	N1	N2	S1	X	Y	PACKING DIMENSIONS			WEIGHT kg
														L/A	L/B	H	
NKP-GE 32-125/130/A/BAQE/2.2/2 M MCE22/P	80	50	234	112	140	698	100	70	190	140	M10	100	262	800	400	400	58

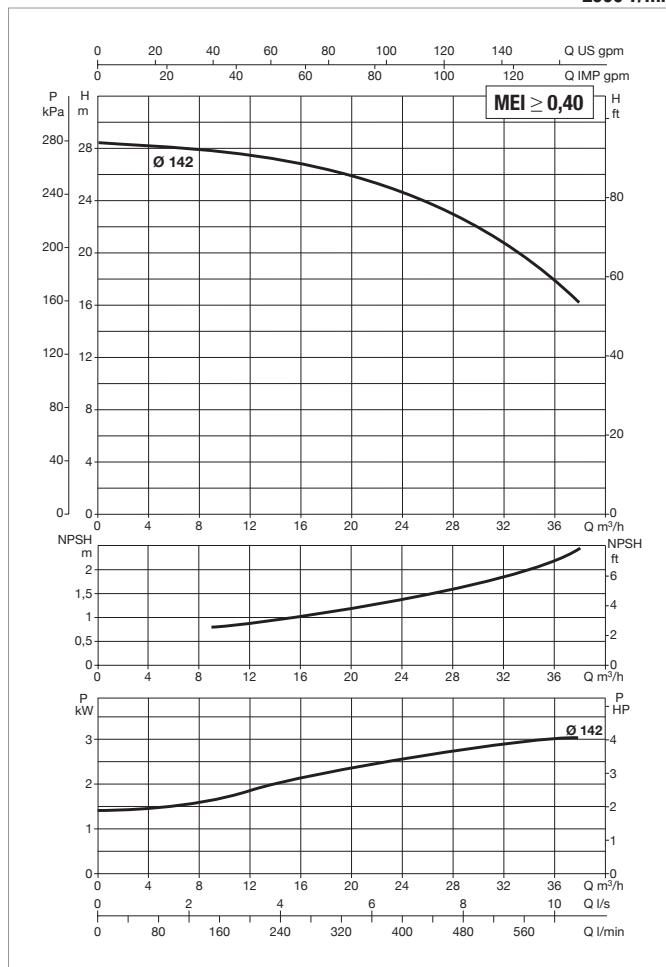
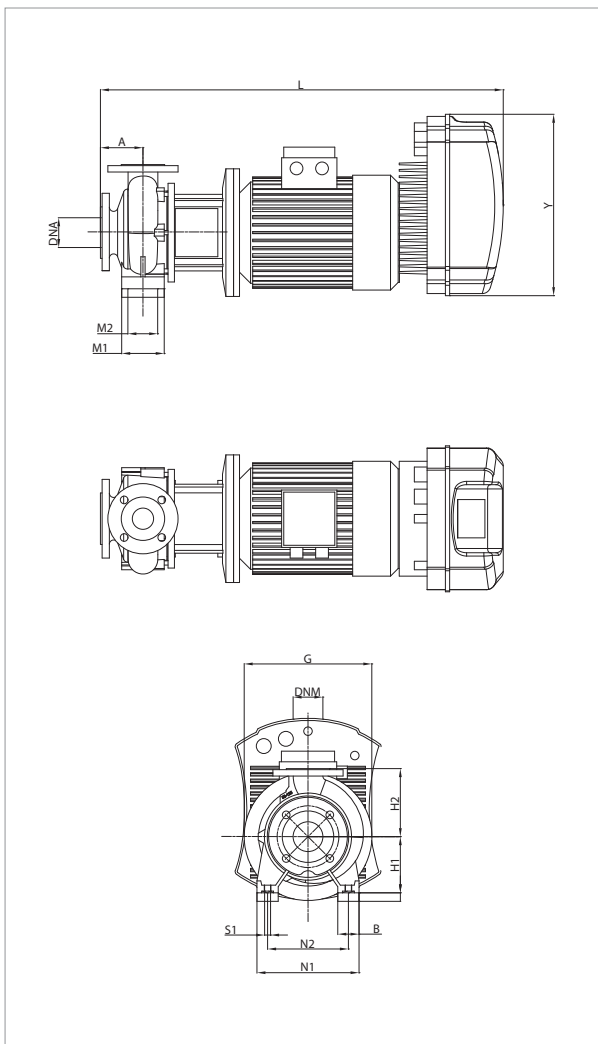
NKP-GE 32-125 - STANDARDISED MONOBLOC CENTRIFUGAL ELECTRIC PUMPS

WITH INVERTER FOR CIRCULATION OR PRESSURISATION SYSTEMS

MCE-C

MCE-P

Pumped liquid temperature range: from -10 °C to +140 °C (MCE/C) - from -10 °C to +80 °C (MCE/P) - Maximum ambient temperature: +40 °C
 ≈ 2900 1/min



See hydraulic efficiency details on page 241.

The performance curves are based on kinematic viscosity values = 1 mm²/s and density equal to 1000 kg/m³. Curve tolerance according to ISO 9906.

MODEL	MCE MODEL	POWER INPUT 50 Hz	P2 NOMINAL		In A
			kW	HP	
NKP-GE 32-125/142/A/ BAQE/3/2 T MCE30/C-P	MCE30/C - MCE30/P	3 x 400 ~V	3,00	4,00	7,0

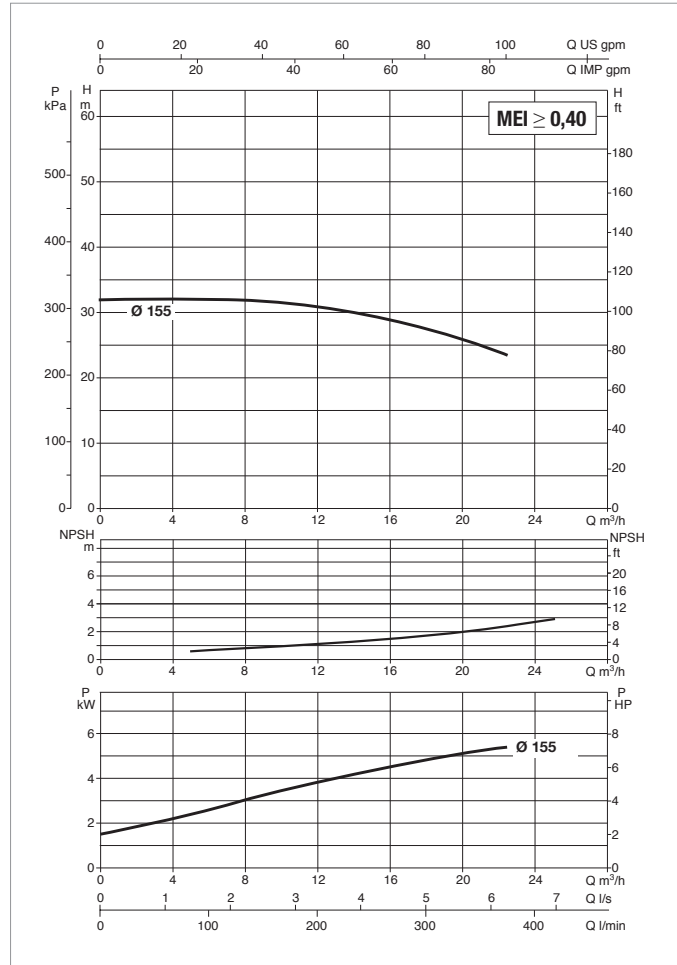
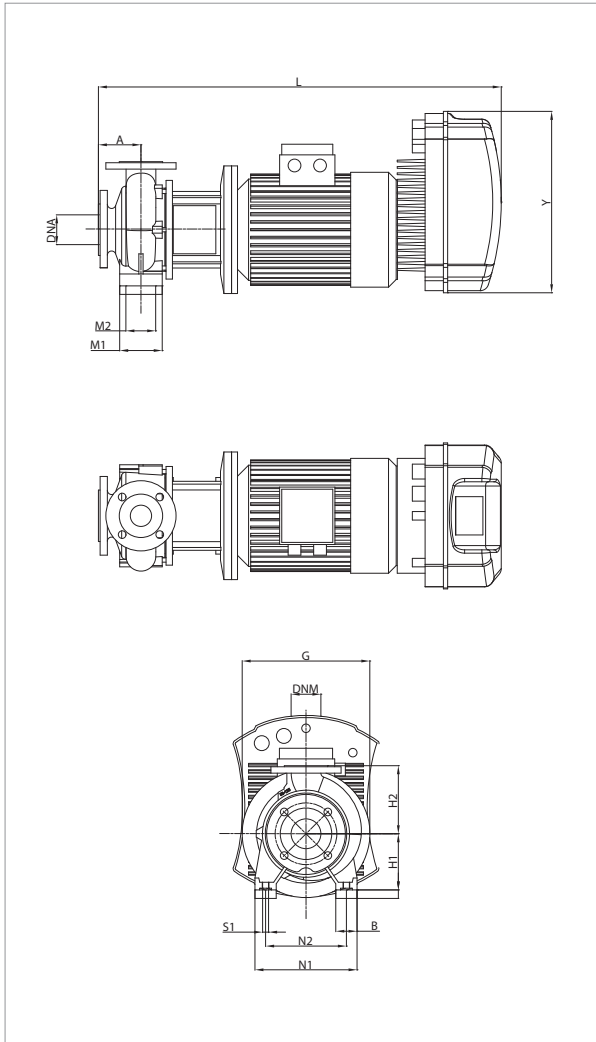
MODEL	A	B	G	H1	H2	L	M1	M2	N1	N2	S1	X	Y	PACKING DIMENSIONS			WEIGHT kg
														L/A	L/B	H	
NKP-GE 32-125/142/A/ BAQE/3/2 T MCE30/C-P	80	50	250	112	140	755	100	70	190	140	M10	100	353	800	400	400	76

NKP-GE 32-160.1 - STANDARDISED MONOBLOC CENTRIFUGAL ELECTRIC PUMPS WITH INVERTER FOR PRESSURISATION SYSTEMS



Pumped liquid temperature range: from -10 °C to +80 °C (MCE/P) - Maximum ambient temperature: +40 °C

≈ 2900 1/min



See hydraulic efficiency details on page 241.

The performance curves are based on kinematic viscosity values = 1 mm²/s and density equal to 1000 kg/m³. Curve tolerance according to ISO 9906.

MODEL	MCE MODEL	POWER INPUT 50 Hz	P2 NOMINAL		In A
			kW	HP	
NKP-GE 32-160.1 155/A/BAQE/2.2/2 MCE22/P	MCE22/P	1 x 230 ~V	2,2	3,0	19,42

MODEL	A	B	G	H1	H2	L	M1	M2	N1	N2	S1	X	Y	PACKING DIMENSIONS			WEIGHT kg
														L/A	L/B	H	
NKP-GE 32-160.1 155/A/BAQE/2.2/2 MCE22/P	80	50	245	132	160	721	100	70	240	190	M10	100	262	826	430	426	53

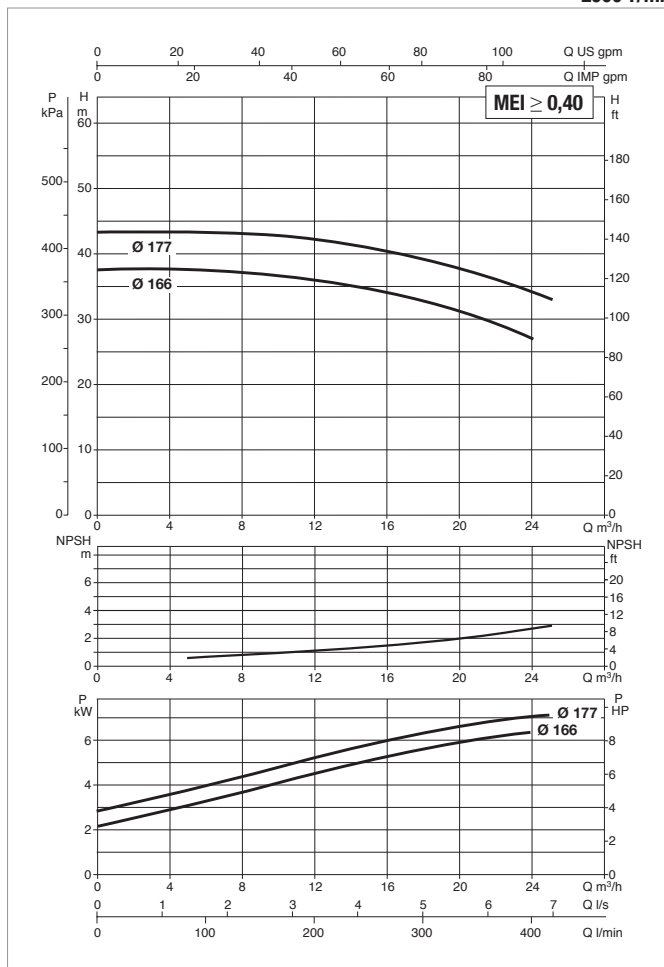
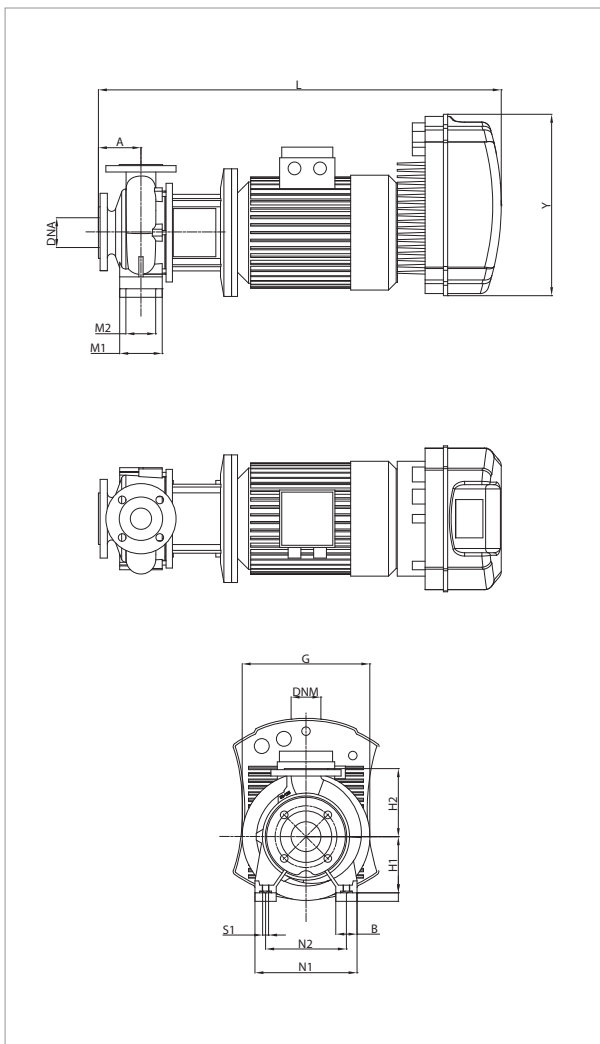
NKP-GE 32-160.1 - STANDARDISED MONOBLOC CENTRIFUGAL ELECTRIC PUMPS

WITH INVERTER FOR CIRCULATION OR PRESSURISATION SYSTEMS

MCE-C

MCE-P

Pumped liquid temperature range: from -10 °C to +140 °C (MCE/C) - from -10 °C to +80 °C (MCE/P) - Maximum ambient temperature: +40 °C
 ≈ 2900 1/min



See hydraulic efficiency details on page 241.

The performance curves are based on kinematic viscosity values = 1 mm²/s and density equal to 1000 kg/m³. Curve tolerance according to ISO 9906.

MODEL	MCE MODEL	POWER INPUT 50 Hz	P2 NOMINAL		In A
			kW	HP	
NKP-GE 32-160.1/166/A/BAQE/3/2 T MCE30/C-P	MCE30/C - MCE30/P	3 x 400 ~V	3,00	4,00	6,7
NKP-GE 32-160.1/177/A/BAQE/4/2 T MCE55/C-P	MCE55/C - MCE55/P	3 x 400 ~V	4,00	5,50	8,5

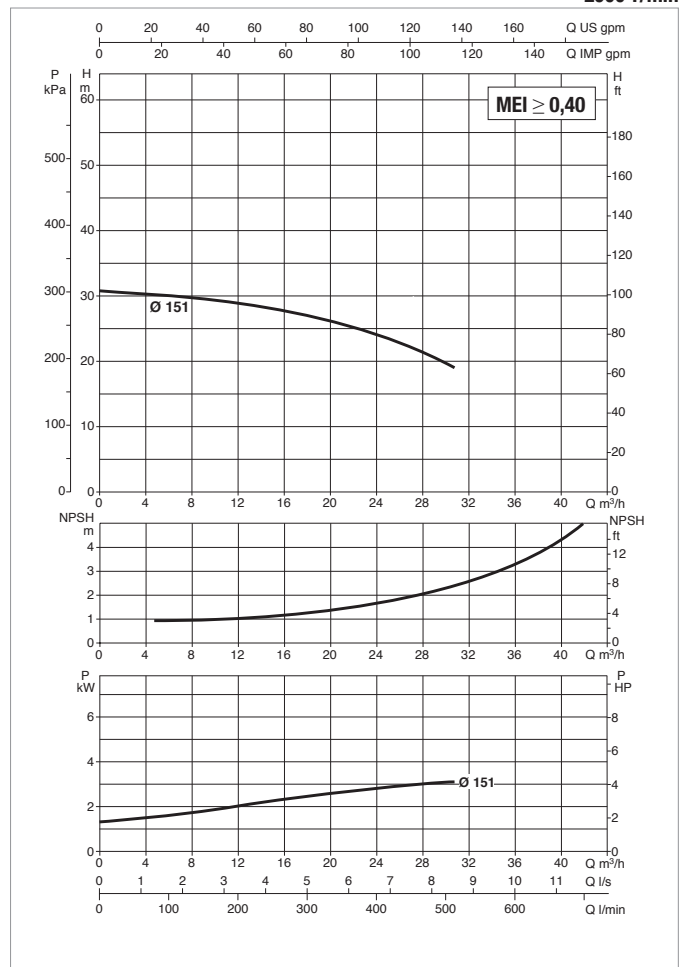
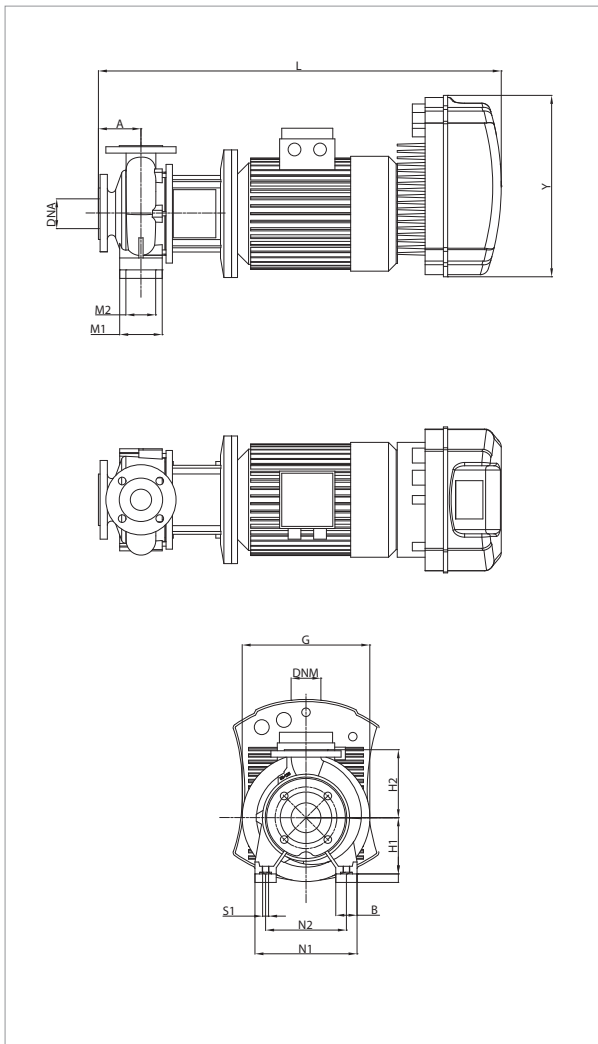
MODEL	A	B	G	H1	H2	L	M1	M2	N1	N2	S1	X	Y	PACKING DIMENSIONS			WEIGHT kg
														L/A	L/B	H	
NKP-GE 32-160.1/166/A/BAQE/3/2 T MCE30/C-P	80	50	250	132	160	755	100	70	240	190	M10	100	353	800	400	400	70
NKP-GE 32-160.1/177/A/BAQE/4/2 T MCE55/C-P	80	50	250	132	160	755	100	70	240	190	M10	100	353	800	400	400	91

NKP-GE 32-160 - STANDARDISED MONOBLOC CENTRIFUGAL ELECTRIC PUMPS

WITH INVERTER FOR CIRCULATION OR PRESSURISATION SYSTEMS



Pumped liquid temperature range: from -10 °C to +140 °C (MCE/C) - from -10 °C to +80 °C (MCE/P) - Maximum ambient temperature: +40 °C
 ≈ 2900 1/min



See hydraulic efficiency details on page 241.

The performance curves are based on kinematic viscosity values = 1 mm²/s and density equal to 1000 kg/m³. Curve tolerance according to ISO 9906.

MODEL	MCE MODEL	POWER INPUT 50 Hz	P2 NOMINAL		In A
			kW	HP	
NKP-GE 32-160/151/A/BAQE/3/2 T MCE30/C-P	MCE30/C - MCE30/P	3 x 400 ~V	3,00	4,0	7,1

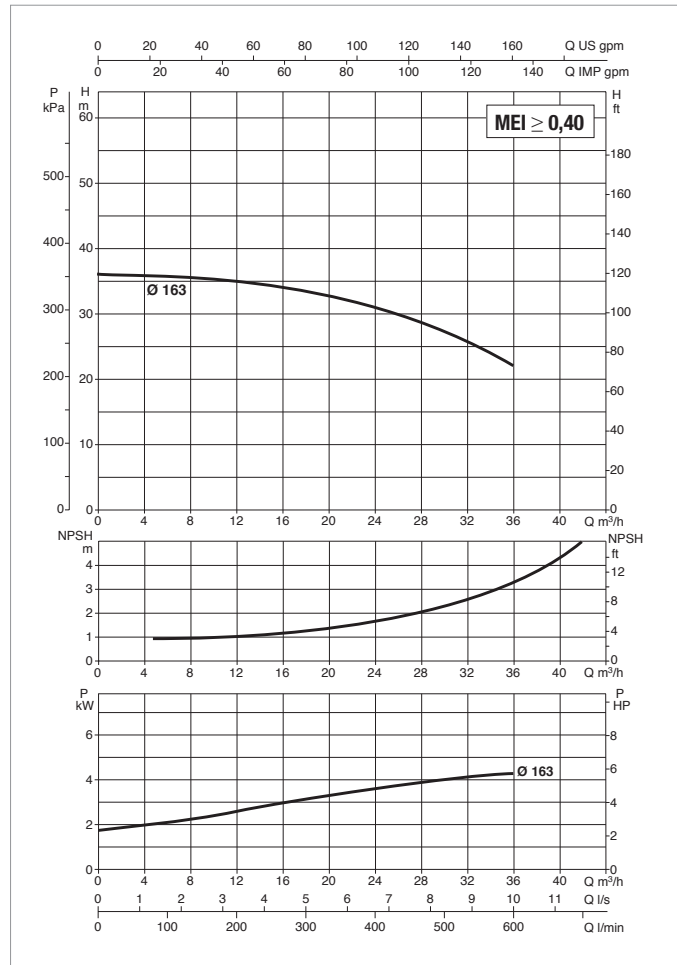
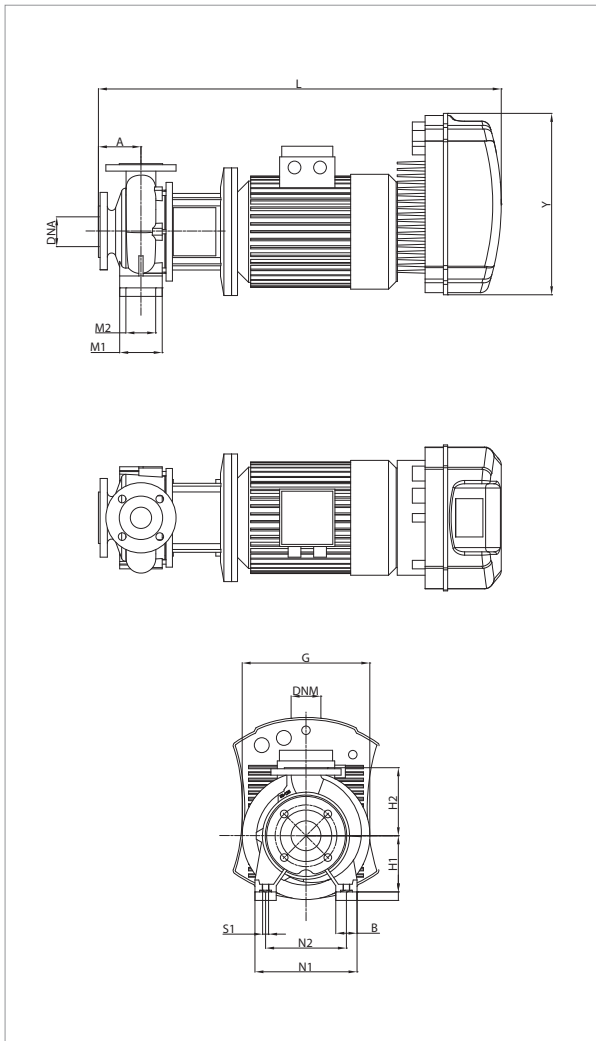
MODEL	A	B	G	H1	H2	L	M1	M2	N1	N2	S1	X	Y	PACKING DIMENSIONS			WEIGHT kg
														L/A	L/B	H	
NKP-GE 32-160/151/A/BAQE/3/2 T MCE30/C-P	80	50	250	132	160	755	100	70	240	190	M10	100	353	800	400	400	70

NKP-GE 32-160 - STANDARDISED MONOBLOC CENTRIFUGAL ELECTRIC PUMPS WITH INVERTER FOR PRESSURISATION SYSTEMS



Pumped liquid temperature range: from -10 °C to +80 °C (MCE/P) - Maximum ambient temperature: +40 °C

≈ 2900 1/min



See hydraulic efficiency details on page 241.

The performance curves are based on kinematic viscosity values = 1 mm²/s and density equal to 1000 kg/m³. Curve tolerance according to ISO 9906.

MODEL	MCE MODEL	POWER INPUT 50 Hz	P2 NOMINAL		In A
			kW	HP	
NKP-GE 32-160/163/A/BAQE /4/2 MCE55/P	MCE55/P	3 x 400 ~V	4,0	5,5	9,83

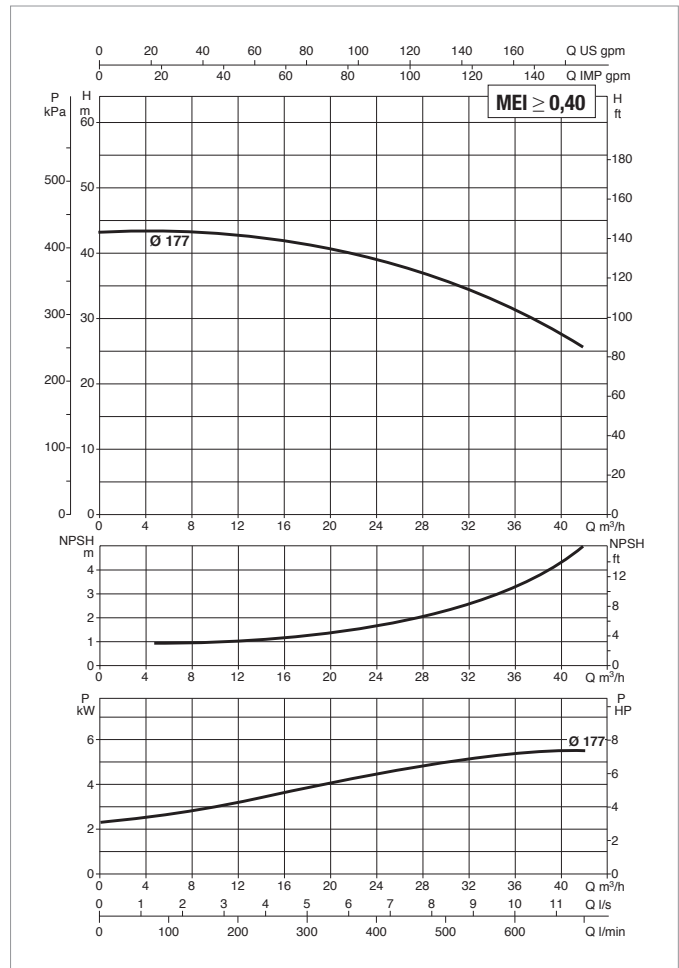
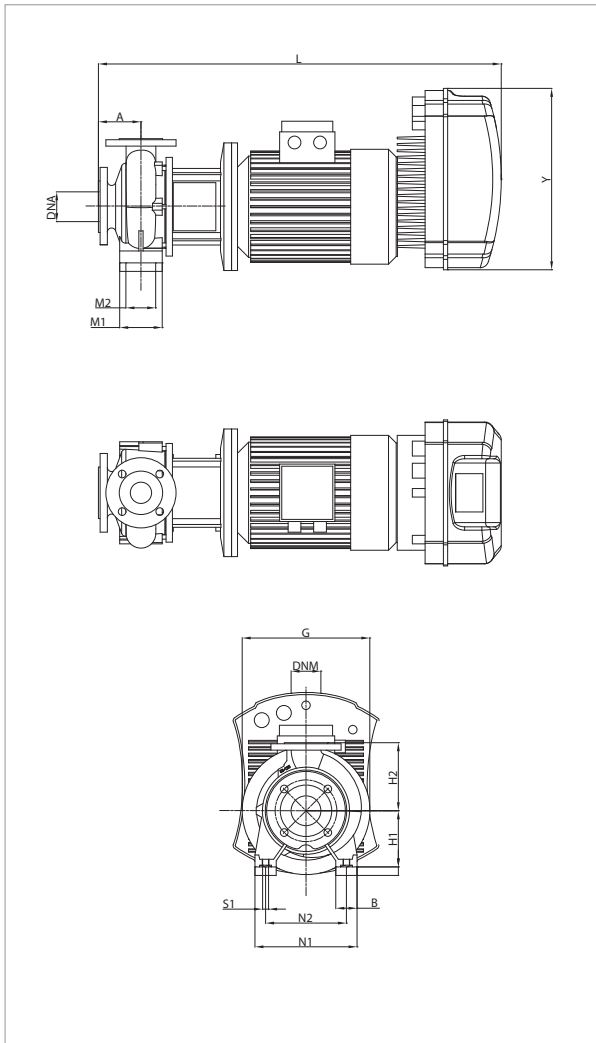
MODEL	A	B	G	H1	H2	L	M1	M2	N1	N2	S1	X	Y	PACKING DIMENSIONS			WEIGHT kg
														L/A	L/B	H	
NKP-GE 32-160/163/A/BAQE /4/2 MCE55/P	80	50	267	132	160	794	100	70	240	190	M10	100	353	826	430	426	92

NKP-GE 32-160 - STANDARDISED MONOBLOC CENTRIFUGAL ELECTRIC PUMPS



WITH INVERTER FOR CIRCULATION OR PRESSURISATION SYSTEMS

Pumped liquid temperature range: from -10 °C to +140 °C (MCE/C) - from -10 °C to +80 °C (MCE/P) - Maximum ambient temperature: +40 °C
 ≈ 2900 1/min



See hydraulic efficiency details on page 241.

The performance curves are based on kinematic viscosity values = 1 mm²/s and density equal to 1000 kg/m³. Curve tolerance according to ISO 9906.

MODEL	MCE MODEL	POWER INPUT 50 Hz	P2 NOMINAL		In A
			kW	HP	
NKP-GE 32-160/177/A/BAQE/5.5/2 T MCE55/C-P	MCE55/C - MCE55/P	3 x 400 ~V	5,50	7,5	12,7

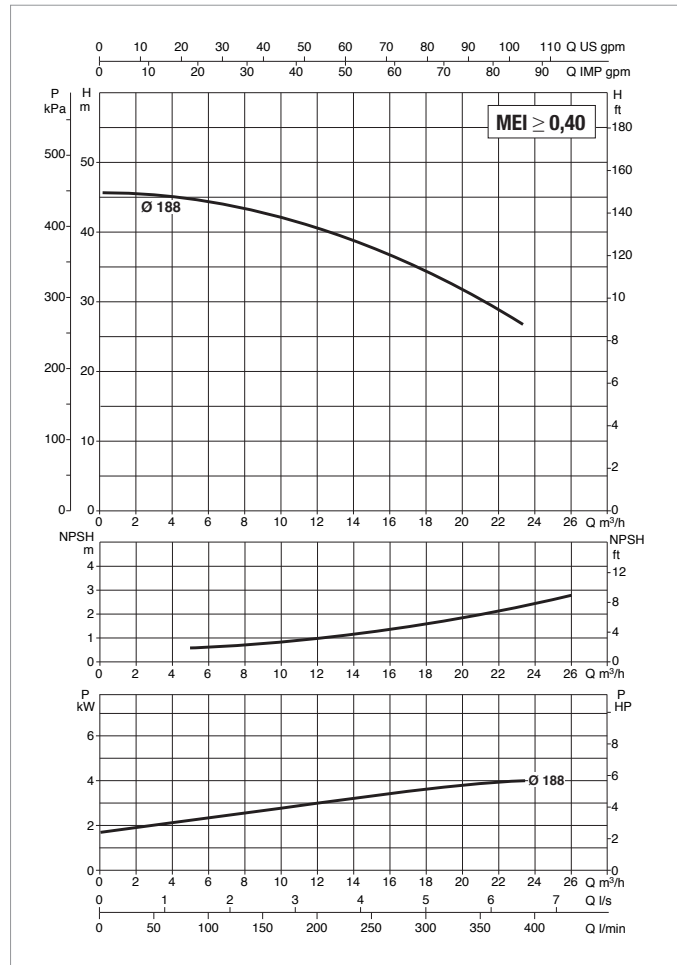
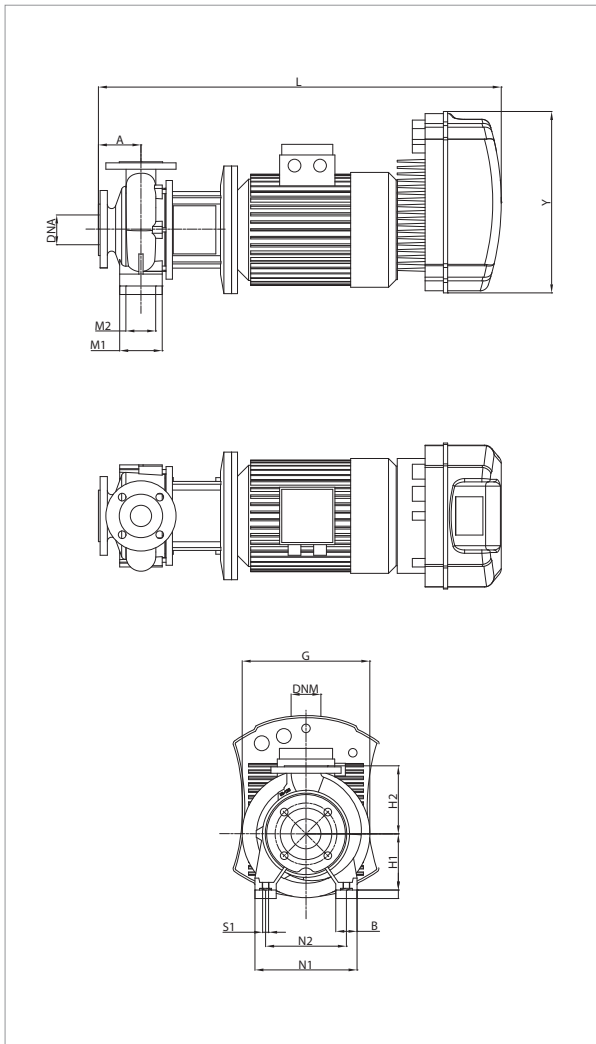
MODEL	A	B	G	H1	H2	L	M1	M2	N1	N2	S1	X	Y	PACKING DIMENSIONS			WEIGHT kg
														L/A	L/B	H	
NKP-GE 32-160/177/A/BAQE/5.5/2 T MCE55/C-P	80	50	300	132	160	883	100	70	240	190	M10	100	353	1100	550	620	114

NKP-GE 32-200.1 - STANDARDISED MONOBLOC CENTRIFUGAL ELECTRIC PUMPS WITH INVERTER FOR PRESSURISATION SYSTEMS



Pumped liquid temperature range: from -10 °C to +80 °C (MCE/P) - Maximum ambient temperature: +40 °C

≈ 2900 1/min



See hydraulic efficiency details on page 241.

The performance curves are based on kinematic viscosity values = 1 mm²/s and density equal to 1000 kg/m³. Curve tolerance according to ISO 9906.

MODEL	MCE MODEL	POWER INPUT 50 Hz	P2 NOMINAL		In A
			kW	HP	
NKP-GE 32-200.1/188/A/BAQE/4/2 MCE55/P	MCE55/P	3 x 400 ~V	5,5	7,5	9,10

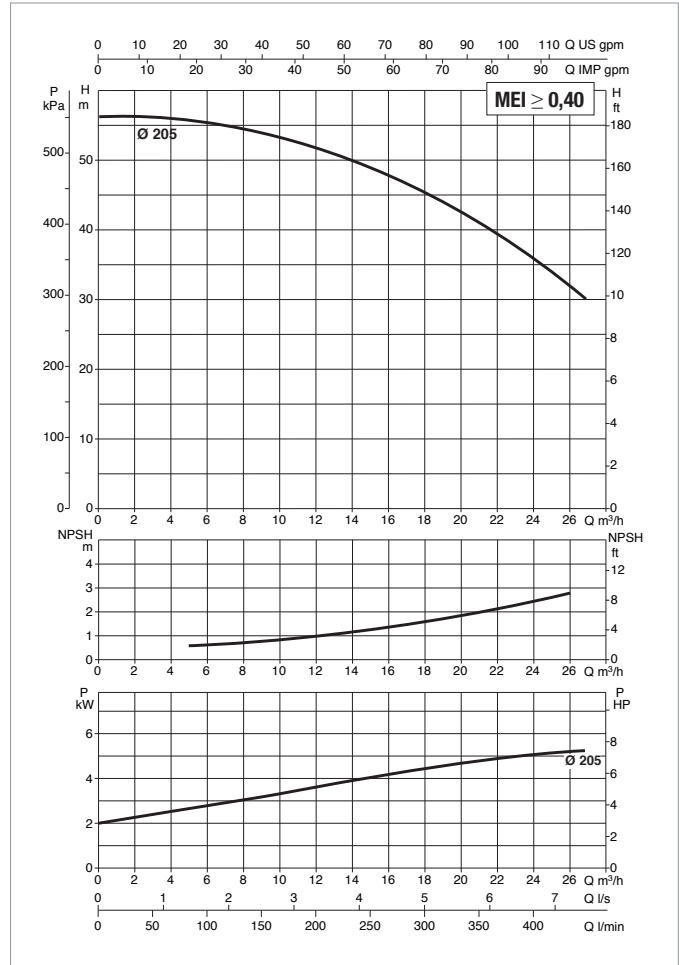
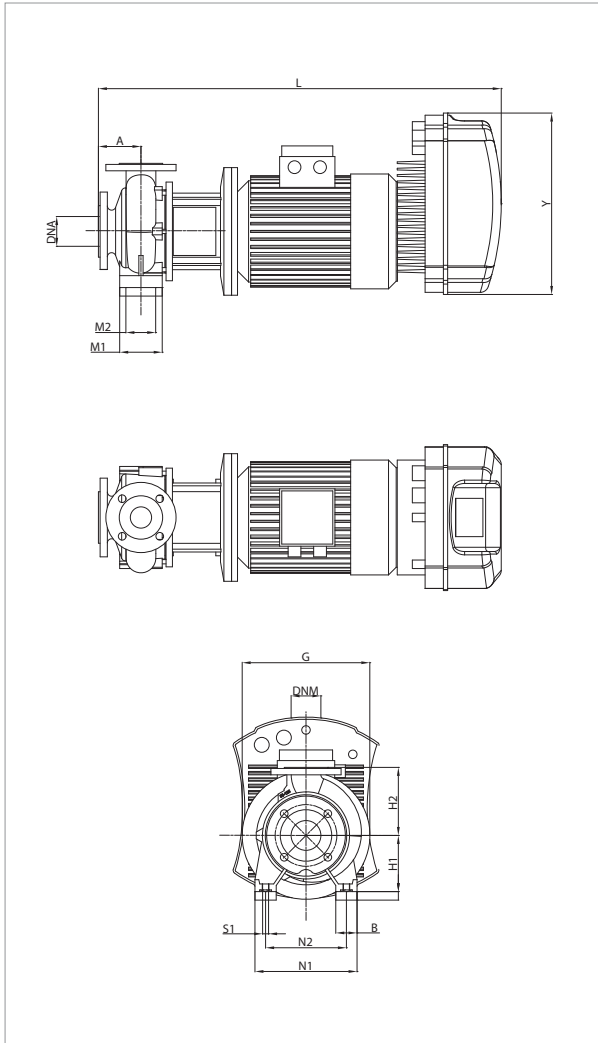
MODEL	A	B	G	H1	H2	L	M1	M2	N1	N2	S1	X	Y	PACKING DIMENSIONS			WEIGHT kg
														L/A	L/B	H	
NKP-GE 32-200.1/188/A/BAQE/4/2 MCE55/P	80	50	279	160	180	794	100	70	240	190	M10	100	353	826	430	426	92

NKP-GE 32-200.1 - STANDARDISED MONOBLOC CENTRIFUGAL ELECTRIC PUMPS



WITH INVERTER FOR CIRCULATION OR PRESSURISATION SYSTEMS

Pumped liquid temperature range: from -10 °C to +140 °C (MCE/C) - from -10 °C to +80 °C (MCE/P) - Maximum ambient temperature: +40 °C
 ≈ 2900 1/min



See hydraulic efficiency details on page 241.

The performance curves are based on kinematic viscosity values = 1 mm²/s and density equal to 1000 kg/m³. Curve tolerance according to ISO 9906.

MODEL	MCE MODEL	POWER INPUT 50 Hz	P2 NOMINAL		In A
			kW	HP	
NKP-GE 32-200.1/205/A/BAQE/5.5/2 T MCE55/C-P	MCE55/C - MCE55/P	3 x 400 ~V	5,50	7,5	11,4

MODEL	A	B	G	H1	H2	L	M1	M2	N1	N2	S1	X	Y	PACKING DIMENSIONS			WEIGHT kg
														L/A	L/B	H	
NKP-GE 32-200.1/205/A/BAQE/5.5/2 T MCE55/C-P	80	50	300	160	180	883	100	70	240	190	M10	100	353	1100	550	620	114

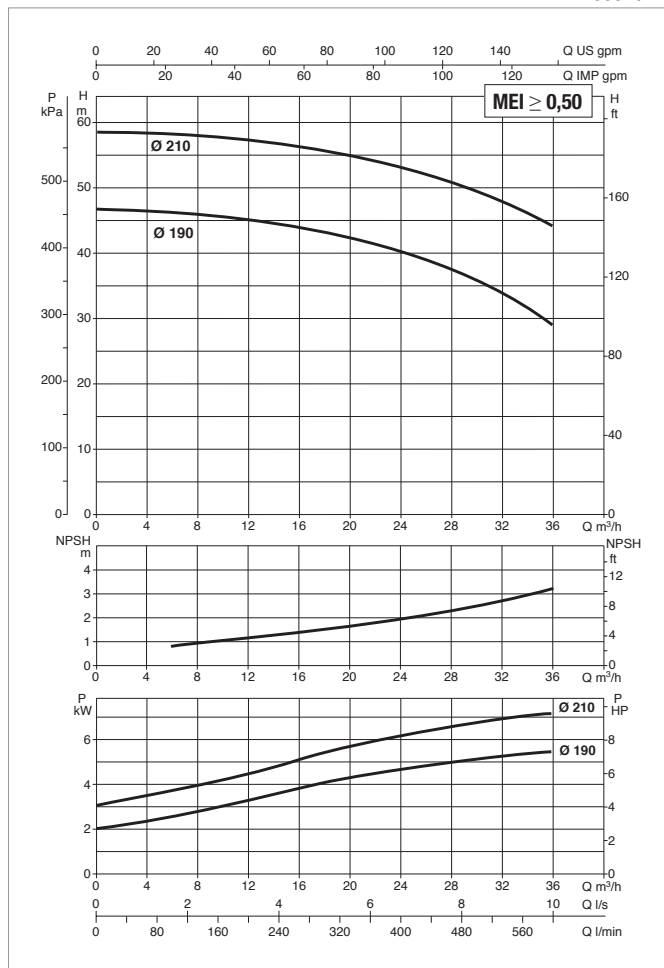
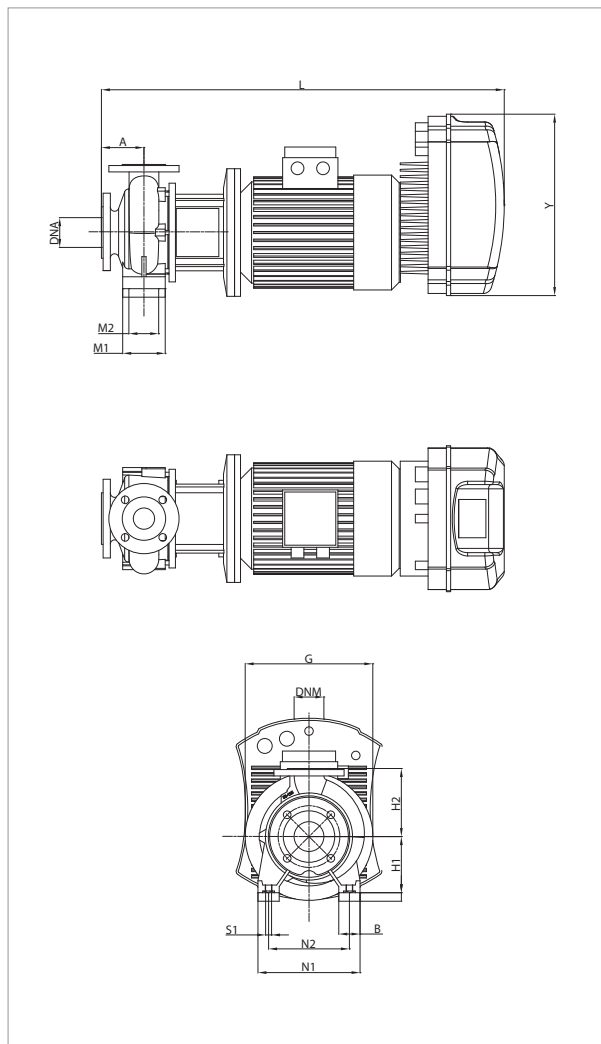
NKP-GE 32-200 - STANDARDISED MONOBLOC CENTRIFUGAL ELECTRIC PUMPS

WITH INVERTER FOR CIRCULATION OR PRESSURISATION SYSTEMS

MCE-C

MCE-P

Pumped liquid temperature range: from -10 °C to +140 °C (MCE/C) - from -10 °C to +80 °C (MCE/P) - Maximum ambient temperature: +40 °C
 ≈ 2900 1/min



See hydraulic efficiency details on page 241.

The performance curves are based on kinematic viscosity values = 1 mm²/s and density equal to 1000 kg/m³. Curve tolerance according to ISO 9906.

MODEL	MCE MODEL	POWER INPUT 50 Hz	P2 NOMINAL		In A
			kW	HP	
NKP-GE 32-200/190/A/BAQE/5.5/2 T MCE55/C-P	MCE55/C - MCE55/P	3 x 400 ~V	5,50	7,5	12,3
NKP-GE 32-200/210/A/BAQE/7.5/2 T MCE110/C-P	MCE110/C - MCE110/P	3 x 400 ~V	7,50	10,0	17,1

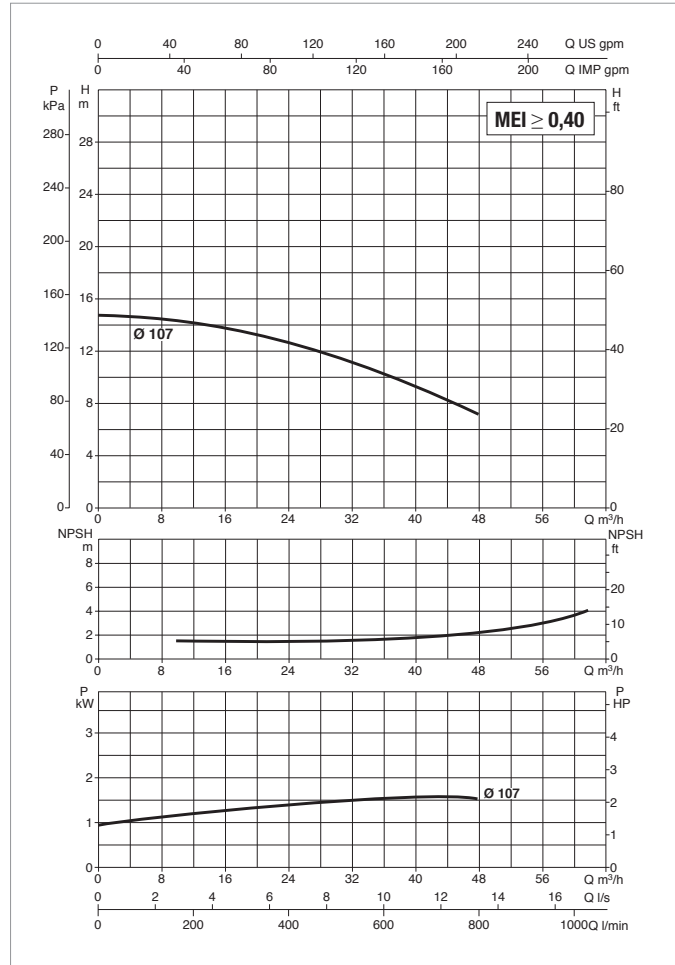
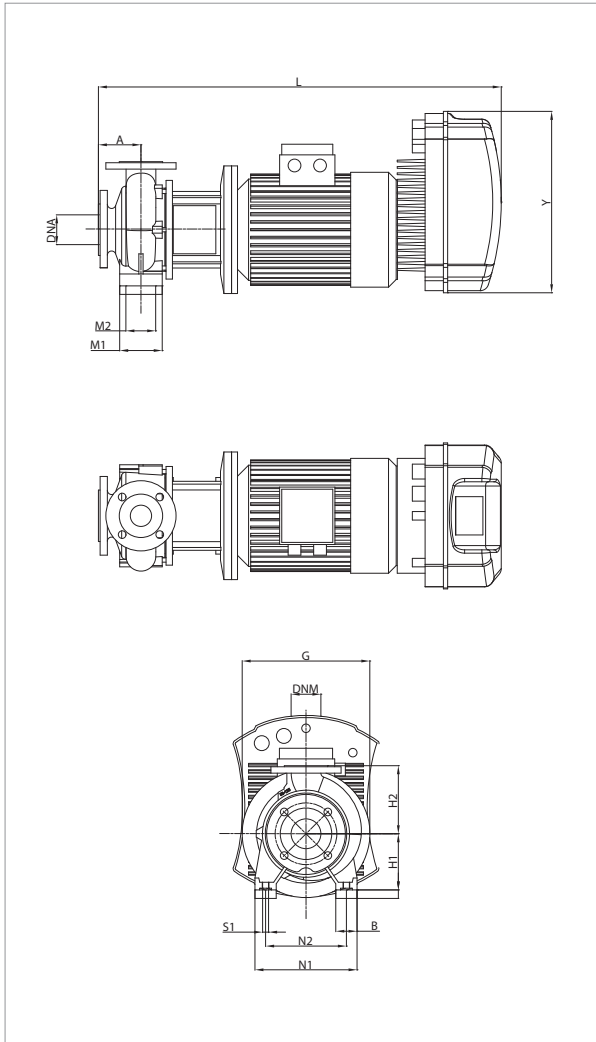
MODEL	A	B	G	H1	H2	L	M1	M2	N1	N2	S1	X	Y	PACKING DIMENSIONS			WEIGHT kg
														L/A	L/B	H	
NKP-GE 32-200/190/A/BAQE/5.5/2 T MCE55/C-P	80	50	300	160	180	883	100	70	240	190	M10	100	353	1100	550	620	126
NKP-GE 32-200/210/A/BAQE/7.5/2 T MCE110/C-P	80	50	300	160	180	933	100	70	240	190	M10	100	426	1100	550	620	135

NKP-GE 40-125 - STANDARDISED MONOBLOC CENTRIFUGAL ELECTRIC PUMPS WITH INVERTER FOR CIRCULATION SYSTEMS



Pumped liquid temperature range: from -10 °C to +140 °C (MCE/C) - Maximum ambient temperature: +40 °C

≈ 2900 1/min



See hydraulic efficiency details on page 241.

The performance curves are based on kinematic viscosity values = 1 mm²/s and density equal to 1000 kg/m³. Curve tolerance according to ISO 9906.

MODEL	MCE MODEL	POWER INPUT 50 Hz	P2 NOMINAL		In A
			kW	HP	
NKP-GE 40-125/107/A/BAQE/1.5/2 M MCE15/C	MCE15/C	1 x 230 ~V	1,50	2,0	14,7
NKP-GE 40-125/107/A/BAQE/1.5/2 T MCE30/C	MCE30/C	3 x 400 ~V	1,50	2,0	t.b.d.

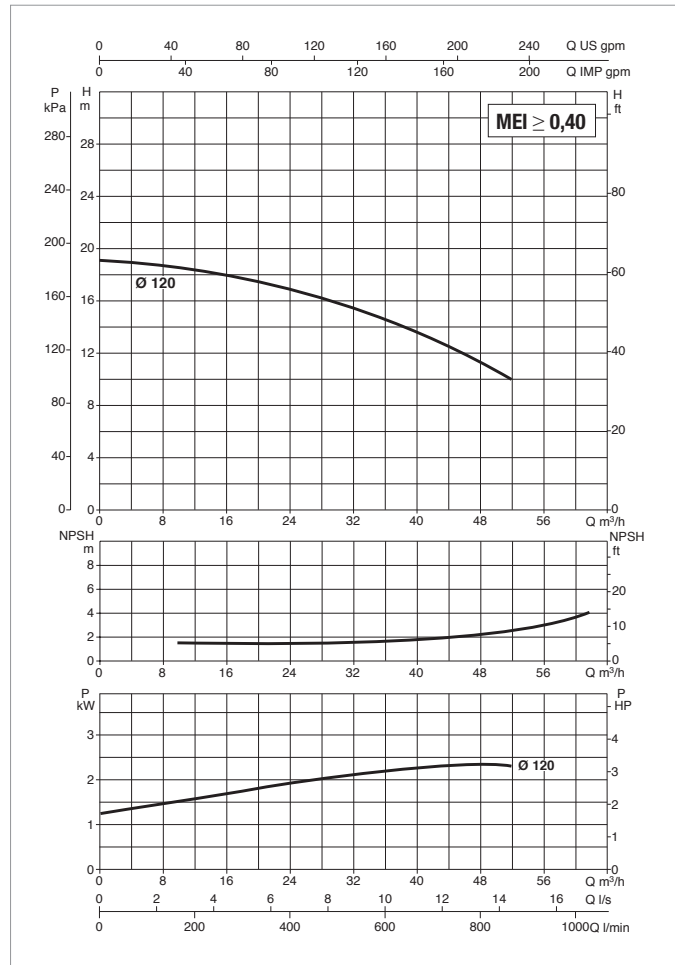
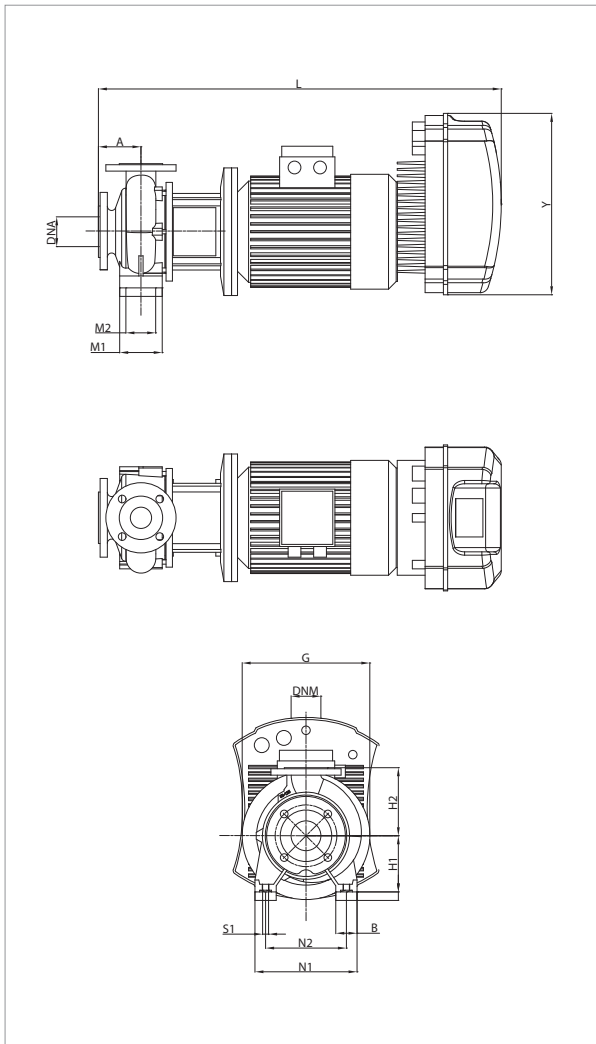
MODEL	A	B	G	H1	H2	L	M1	M2	N1	N2	S1	X	Y	PACKING DIMENSIONS			WEIGHT kg
														L/A	L/B	H	
NKP-GE 40-125/107/A/BAQE/1.5/2 M MCE15/C	80	50	234	112	140	673	100	70	210	160	M10	100	262	800	400	400	61
NKP-GE 40-125/107/A/BAQE/1.5/2 T MCE30/C	80	50	234	112	140	740	100	70	210	160	M10	100	353	800	400	400	63,6

NKP-GE 40-125 - STANDARDISED MONOBLOC CENTRIFUGAL ELECTRIC PUMPS WITH INVERTER FOR CIRCULATION SYSTEMS



Pumped liquid temperature range: from -10 °C to +140 °C (MCE/C) - Maximum ambient temperature: +40 °C

≈ 2900 1/min



See hydraulic efficiency details on page 241.

The performance curves are based on kinematic viscosity values = 1 mm²/s and density equal to 1000 kg/m³. Curve tolerance according to ISO 9906.

MODEL	MCE MODEL	POWER INPUT 50 Hz	P2 NOMINAL		In A
			kW	HP	
NKP-GE 40-125/120/A/BAQE/2.2/2 M MCE22/C	MCE22/C	1 x 230 ~V	2,20	3,0	19,9
NKP-GE 40-125/120/A/BAQE/2.2/2 T MCE30/C	MCE30/C	3 x 400 ~V	2,20	3,0	t.b.d.

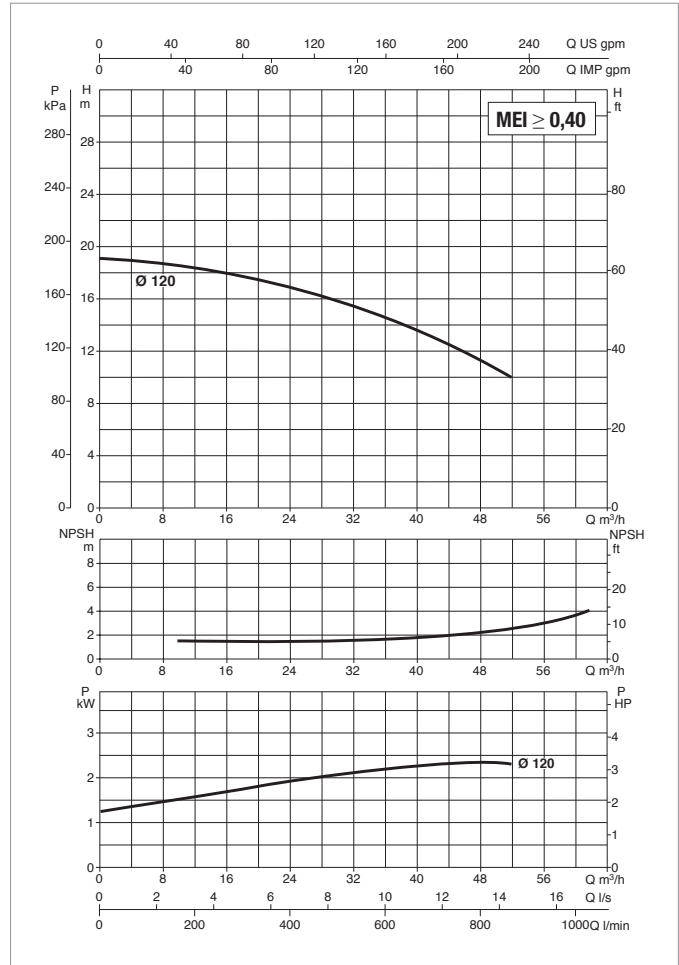
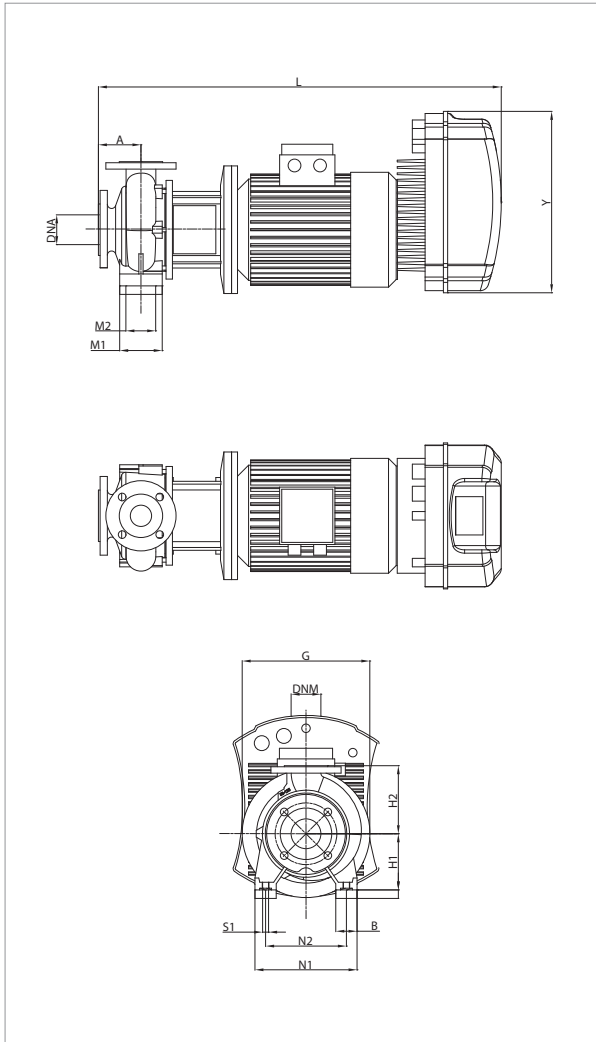
MODEL	A	B	G	H1	H2	L	M1	M2	N1	N2	S1	X	Y	PACKING DIMENSIONS			WEIGHT kg
														L/A	L/B	H	
NKP-GE 40-125/120/A/BAQE/2.2/2 M MCE22/C	80	50	234	112	140	698	100	70	210	160	M10	100	262	800	400	400	74
NKP-GE 40-125/120/A/BAQE/2.2/2 T MCE30/C	80	50	234	112	140	765	100	70	210	160	M10	100	353	800	400	400	76,6

NKP-GE 40-125 - STANDARDISED MONOBLOC CENTRIFUGAL ELECTRIC PUMPS WITH INVERTER FOR PRESSURISATION SYSTEMS



Pumped liquid temperature range: from -10 °C to +80 °C (MCE/P) - Maximum ambient temperature: +40 °C

≅ 2900 1/min



See hydraulic efficiency details on page 241.

The performance curves are based on kinematic viscosity values = 1 mm²/s and density equal to 1000 kg/m³. Curve tolerance according to ISO 9906.

MODEL	MCE MODEL	POWER INPUT 50 Hz	P2 NOMINAL		In A
			kW	HP	
NKP-GE 40-125/120/A/BAQE/2.2/2 M MCE22/P	MCE22/P	1 x 230 ~V	2,2	3,0	20,62

MODEL	A	B	G	H1	H2	L	M1	M2	N1	N2	S1	X	Y	PACKING DIMENSIONS			WEIGHT kg
														L/A	L/B	H	
NKP-GE 40-125/120/A/BAQE/2.2/2 M MCE22/P	80	50	234	112	140	721	100	70	210	160	M10	100	262	826	430	426	74

NKP-GE 40-125 - STANDARDISED MONOBLOC CENTRIFUGAL ELECTRIC PUMPS

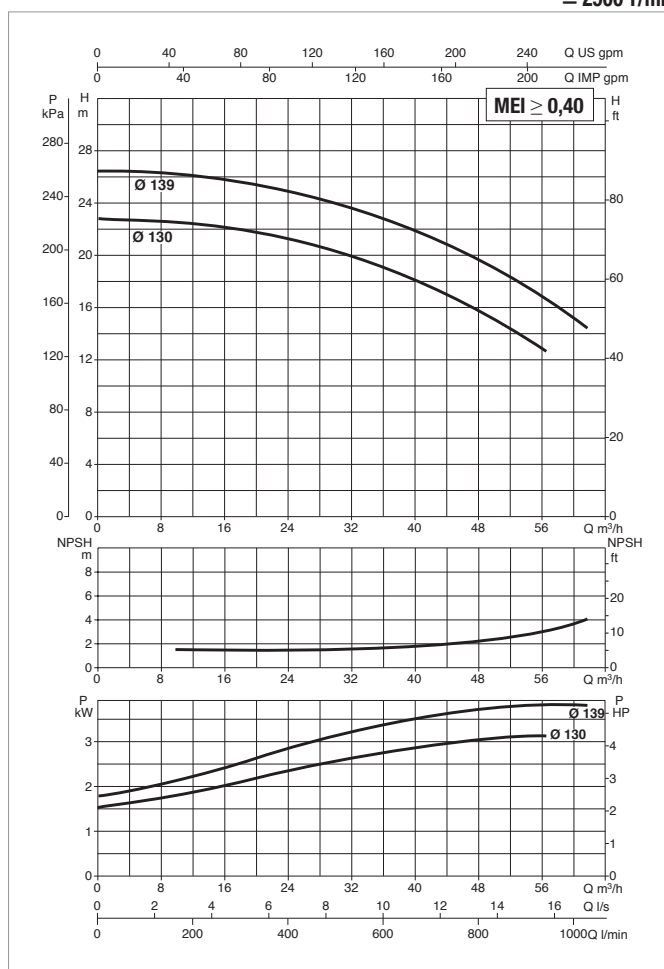
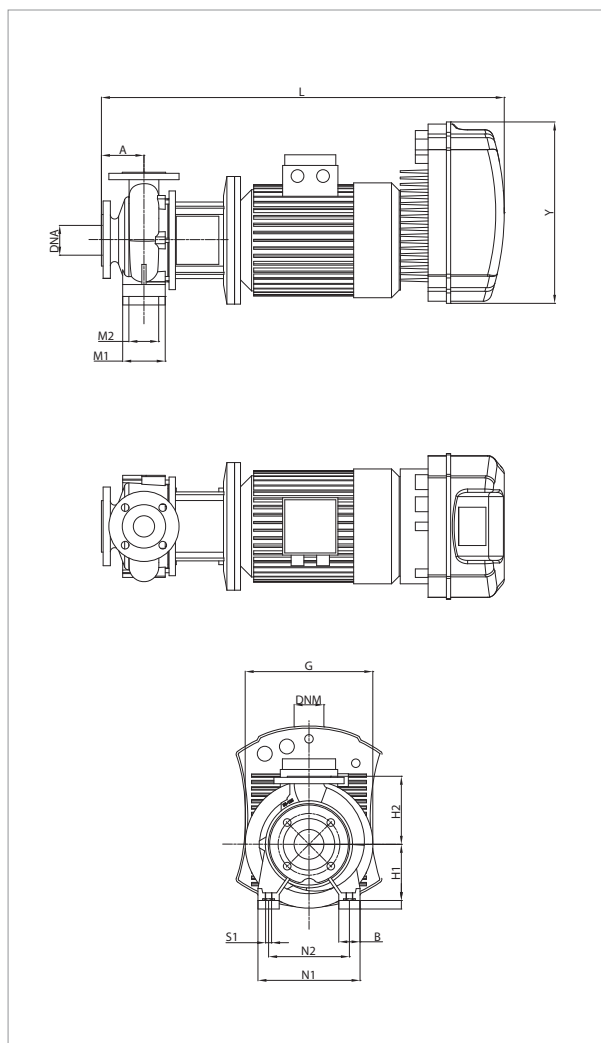
WITH INVERTER FOR CIRCULATION OR PRESSURISATION SYSTEMS

MCE-C

MCE-P

Pumped liquid temperature range: from -10 °C to +140 °C (MCE/C) - from -10 °C to +80 °C (MCE/P) - Maximum ambient temperature: +40 °C

≈ 2900 1/min



See hydraulic efficiency details on page 241.

The performance curves are based on kinematic viscosity values = 1 mm²/s and density equal to 1000 kg/m³. Curve tolerance according to ISO 9906.

MODEL	MCE MODEL	POWER INPUT 50 Hz	P2 NOMINAL		In A
			kW	HP	
NKP-GE 40-125/130/A/BAQE/3/2 T MCE30/C-P	MCE30/C - MCE30/P	3 x 400 ~V	3,00	4,0	7,2
NKP-GE 40-125/139/A/BAQE/4/2 T MCE55/C-P	MCE55/C - MCE55/P	3 x 400 ~V	4,00	5,5	9,6

MODEL	A	B	G	H1	H2	L	M1	M2	N1	N2	S1	X	Y	PACKING DIMENSIONS			WEIGHT kg
														L/A	L/B	H	
NKP-GE 40-125/130/A/BAQE/3/2 T MCE30/C-P	80	50	300	112	140	755	100	70	210	160	M10	100	353	800	400	400	85
NKP-GE 40-125/139/A/BAQE/4/2 T MCE55/C-P	80	50	300	112	140	755	100	70	210	160	M10	100	353	800	400	400	107

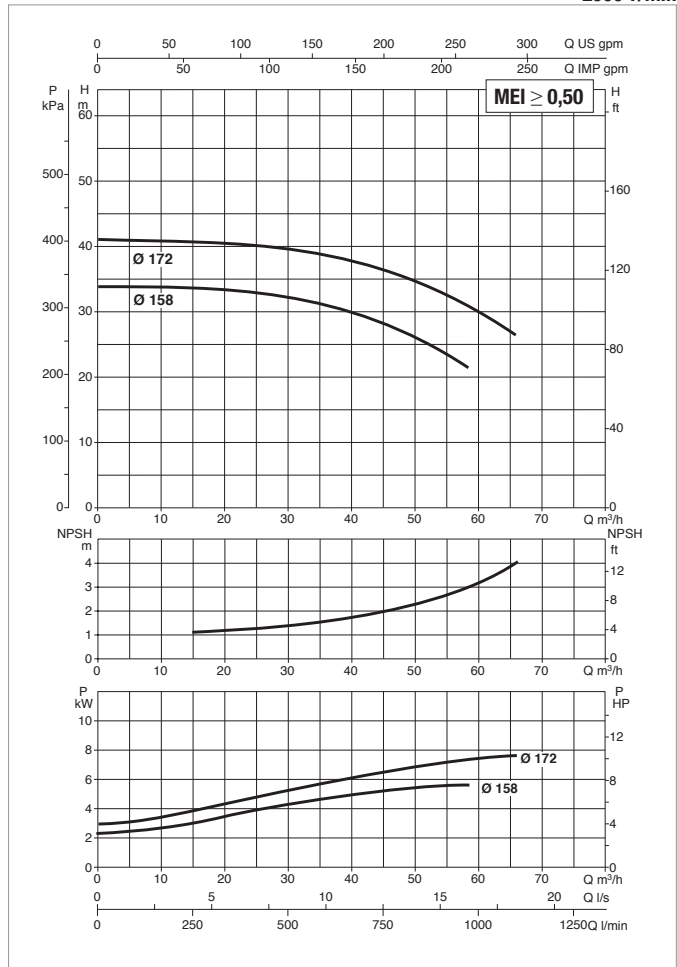
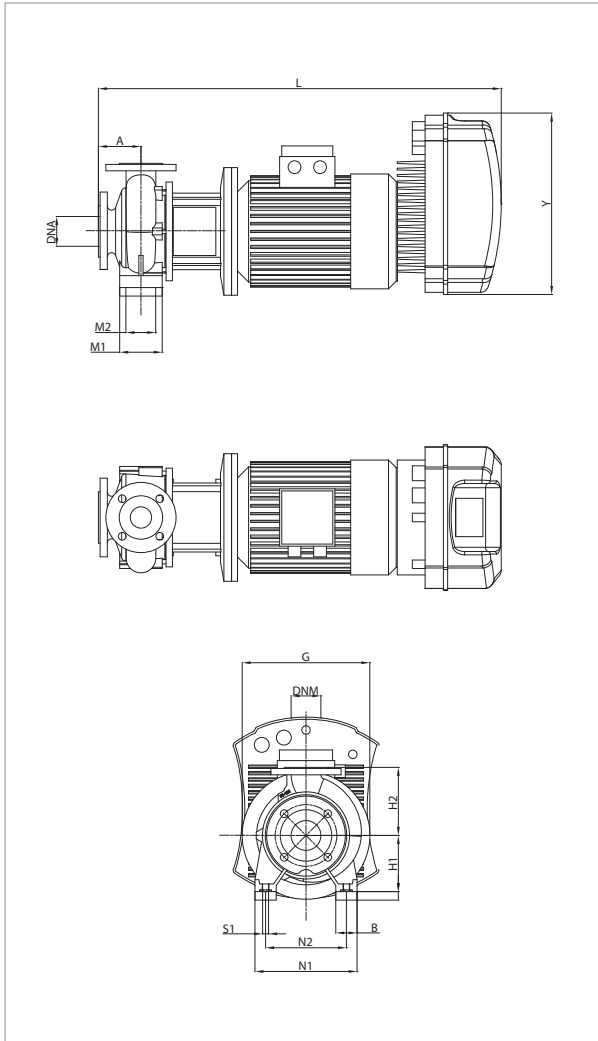
NKP-GE 40-160 - STANDARDISED MONOBLOC CENTRIFUGAL ELECTRIC PUMPS



WITH INVERTER FOR CIRCULATION OR PRESSURISATION SYSTEMS

Pumped liquid temperature range: from -10 °C to +140 °C (MCE/C) - from -10 °C to +80 °C (MCE/P) - Maximum ambient temperature: +40 °C

≈ 2900 1/min



See hydraulic efficiency details on page 241.

The performance curves are based on kinematic viscosity values = 1 mm²/s and density equal to 1000 kg/m³. Curve tolerance according to ISO 9906.

MODEL	MCE MODEL	POWER INPUT 50 Hz	P2 NOMINAL		In A
			kW	HP	
NKP-GE 40-160/158/A/BAQE/5.5/2 T MCE55/C-P	MCE55/C - MCE55/P	3 x 400 ~V	5,50	7,5	12,4
NKP-GE 40-160/172/A/BAQE/7.5/2 T MCE110/C-P	MCE110/C - MCE110/P	3 x 400 ~V	7,50	10,0	17,1

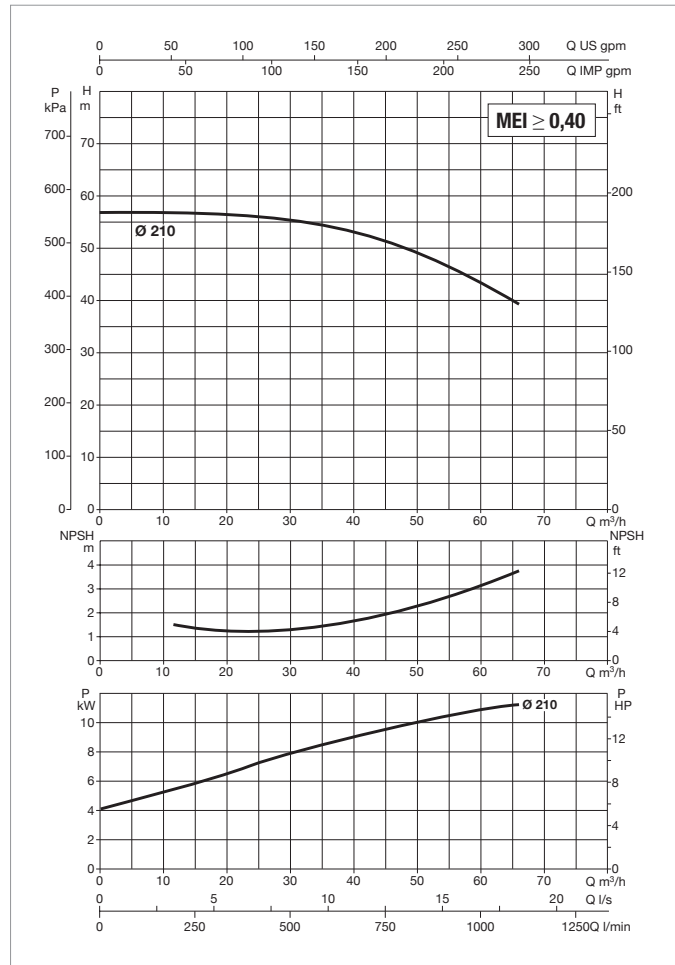
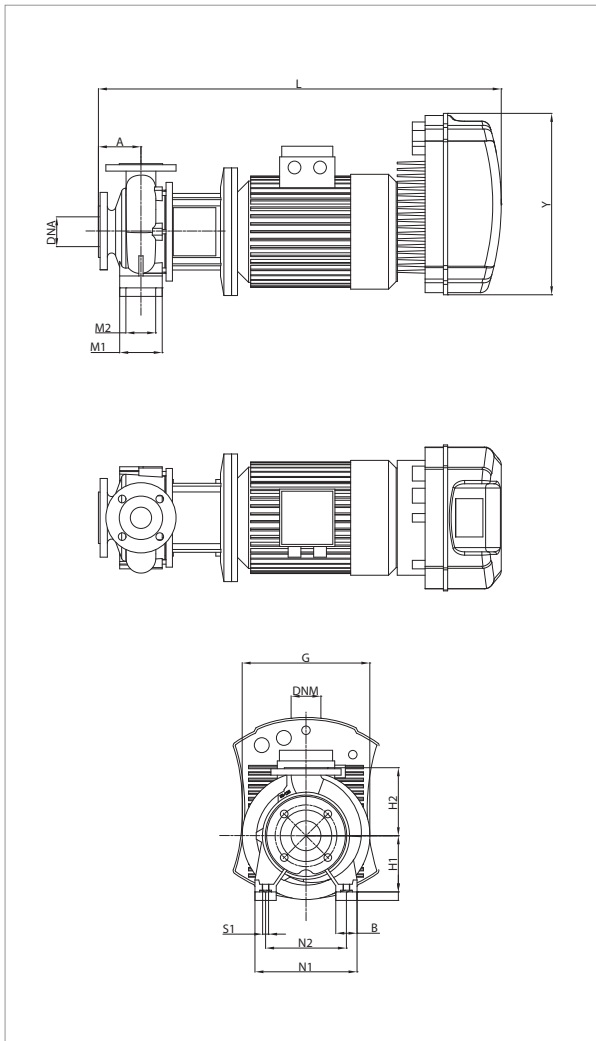
MODEL	A	B	G	H1	H2	L	M1	M2	N1	N2	S1	X	Y	PACKING DIMENSIONS			WEIGHT kg
														L/A	L/B	H	
NKP-GE 40-160/158/A/BAQE/5.5/2 T MCE55/C-P	80	50	300	132	160	883	100	70	240	190	M10	100	353	1100	550	620	119
NKP-GE 40-160/172/A/BAQE/7.5/2 T MCE110/C-P	80	50	300	132	160	933	100	70	240	190	M10	100	426	1100	550	620	127

NKP-GE 40-200 - STANDARDISED MONOBLOC CENTRIFUGAL ELECTRIC PUMPS WITH INVERTER FOR CIRCULATION SYSTEMS



Pumped liquid temperature range: from -10 °C to +140 °C (MCE/C) - Maximum ambient temperature: +40 °C

≈ 2900 1/min



See hydraulic efficiency details on page 241.

The performance curves are based on kinematic viscosity values = 1 mm²/s and density equal to 1000 kg/m³. Curve tolerance according to ISO 9906.

MODEL	MCE MODEL	POWER INPUT 50 Hz	P2 NOMINAL		In A
			kW	HP	
NKP-GE 40-200/210/A/BAQE/11/2 T MCE110/C	MCE110/C	3 x 400 ~V	11,00	15,0	24,9

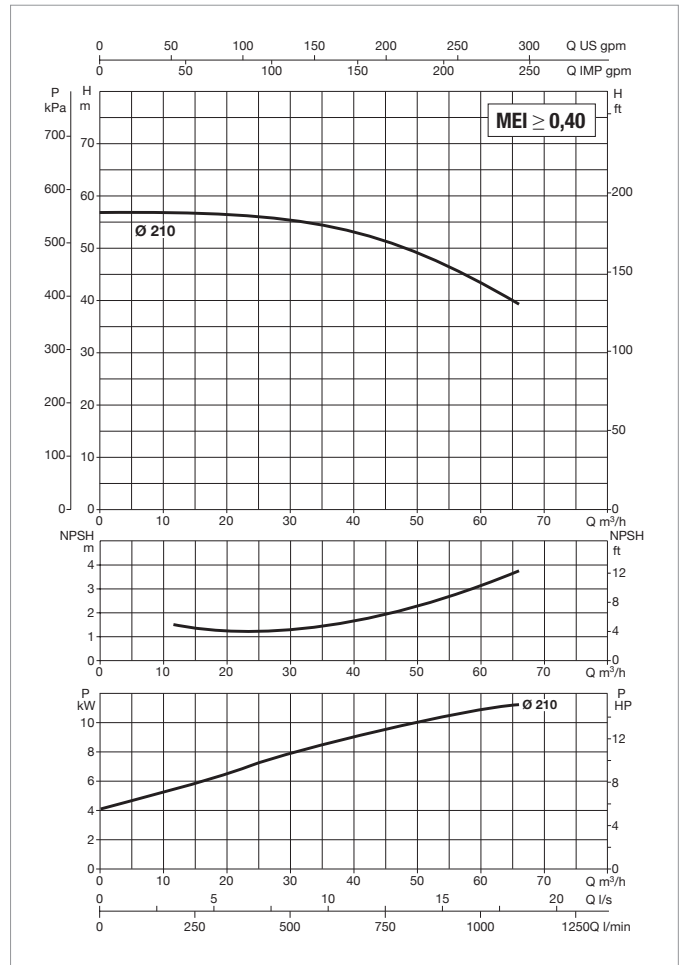
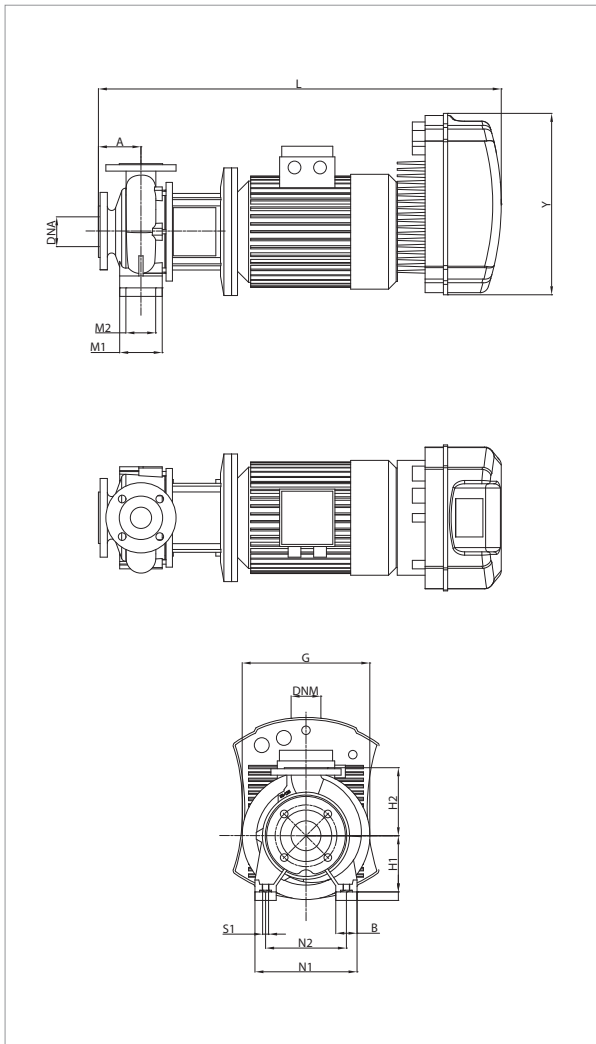
MODEL	A	B	G	H1	H2	L	M1	M2	N1	N2	S1	X	Y	PACKING DIMENSIONS			WEIGHT kg
														L/A	L/B	H	
NKP-GE 40-200/210/A/BAQE/11/2 T MCE110/C	100	67	350	160	180	1053	-	-	314	254	M12	100	426	1100	550	620	207

NKP-GE 40-200 - STANDARDISED MONOBLOC CENTRIFUGAL ELECTRIC PUMPS WITH INVERTER FOR PRESSURISATION SYSTEMS



Pumped liquid temperature range: from -10 °C to +80 °C (MCE/P) - Maximum ambient temperature: +40 °C

≅ 2900 1/min



See hydraulic efficiency details on page 241.

The performance curves are based on kinematic viscosity values = 1 mm²/s and density equal to 1000 kg/m³. Curve tolerance according to ISO 9906.

MODEL	MCE MODEL	POWER INPUT 50 Hz	P2 NOMINAL		In A
			kW	HP	
NKP-GE 40-200/210/A/BAQE/11/2 MCE150/P	MCE150/P	3 x 400 ~V	11,0	15,0	24,87

MODEL	A	B	G	H1	H2	L	M1	M2	N1	N2	S1	X	Y	PACKING DIMENSIONS			WEIGHT kg
														L/A	L/B	H	
NKP-GE 40-200/210/A/BAQE/11/2 MCE150/P	100	67	350	160	180	1098	-	-	314	254	M12	100	426	1386	526	676	207

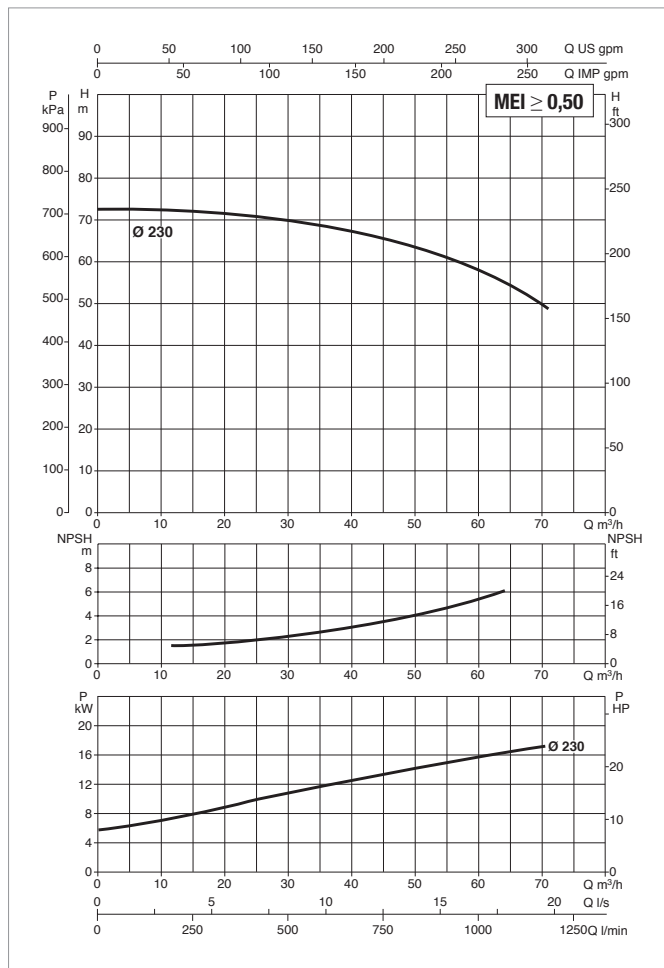
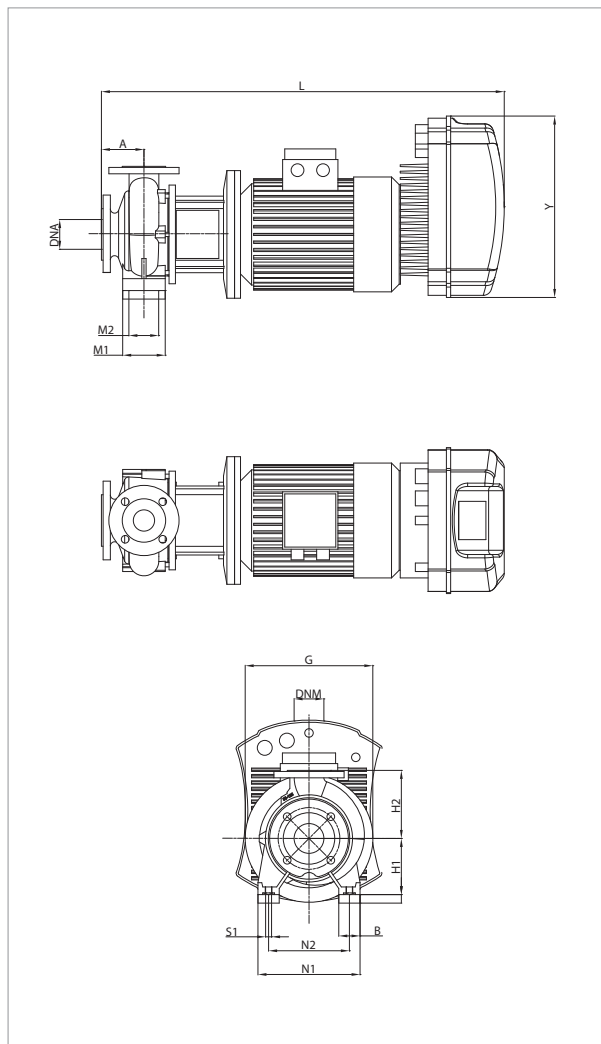
NKP-GE 40-250 - STANDARDISED MONOBLOC CENTRIFUGAL ELECTRIC PUMPS

WITH INVERTER FOR CIRCULATION OR PRESSURISATION SYSTEMS

MCE-C

MCE-P

Pumped liquid temperature range: from -10 °C to +140 °C (MCE/C) - from -10 °C to +80 °C (MCE/P) - Maximum ambient temperature: +40 °C
 ≈ 2900 1/min



See hydraulic efficiency details on page 241.

The performance curves are based on kinematic viscosity values = 1 mm²/s and density equal to 1000 kg/m³. Curve tolerance according to ISO 9906.

MODEL	MCE MODEL	POWER INPUT 50 Hz	P2 NOMINAL		In A
			kW	HP	
NKP-GE 40-250/230/A/BAQE/15/2 T MCE150/C-P	MCE150/C - MCE150/P	3 x 400 ~V	15,00	20,0	34,5

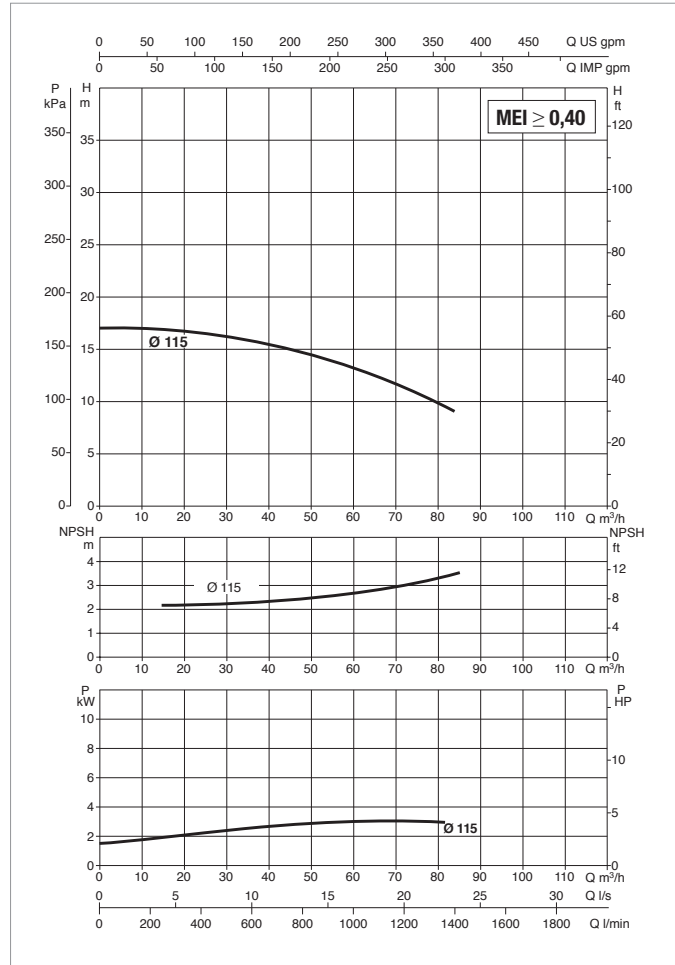
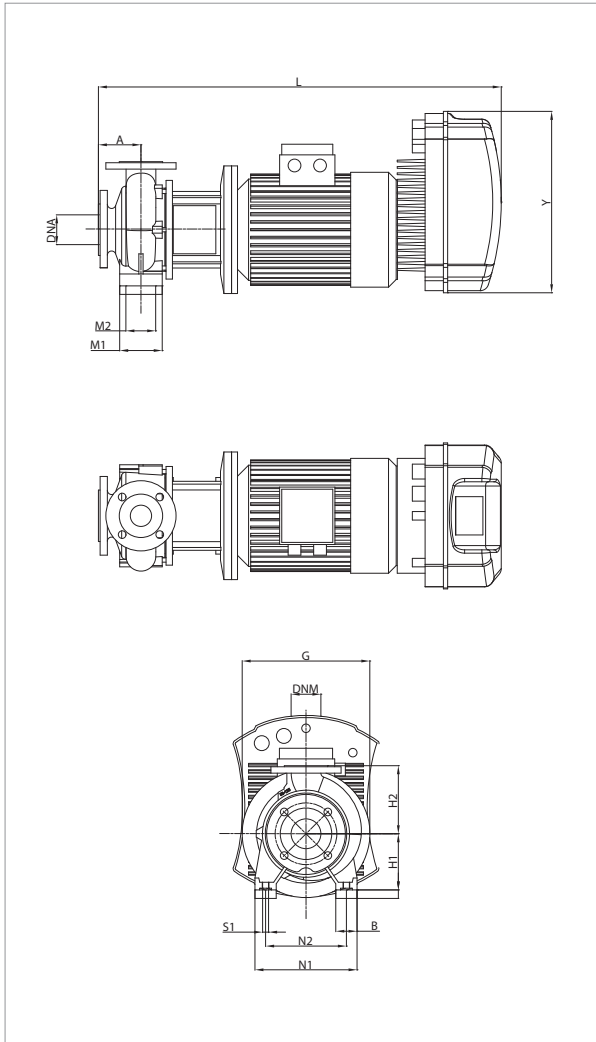
MODEL	A	B	G	H1	H2	L	M1	M2	N1	N2	S1	X	Y	PACKING DIMENSIONS			WEIGHT kg
														L/A	L/B	H	
NKP-GE 40-250/230/A/BAQE/15/2 T MCE150/C-P	100	67	350	160	225	1053	-	-	314	254	M12	100	426	1100	550	620	220

NKP-GE 50-125 - STANDARDISED MONOBLOC CENTRIFUGAL ELECTRIC PUMPS WITH INVERTER FOR CIRCULATION SYSTEMS



Pumped liquid temperature range: from -10 °C to +140 °C (MCE/C) - Maximum ambient temperature: +40 °C

≅ 2900 1/min



See hydraulic efficiency details on page 241.

The performance curves are based on kinematic viscosity values = 1 mm²/s and density equal to 1000 kg/m³. Curve tolerance according to ISO 9906.

MODEL	MCE MODEL	POWER INPUT 50 Hz	P2 NOMINAL		In A
			kW	HP	
NKP-GE 50-125/115/A/BAQE/3/2 T MCE30/C	MCE30/C	3 x 400 ~V	3,00	4,0	7,2

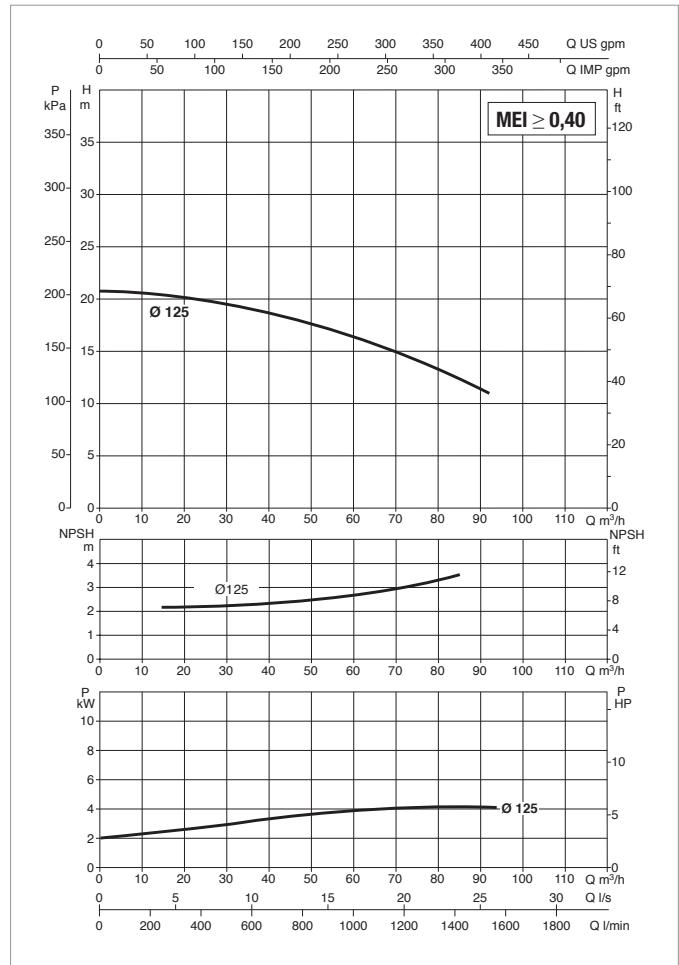
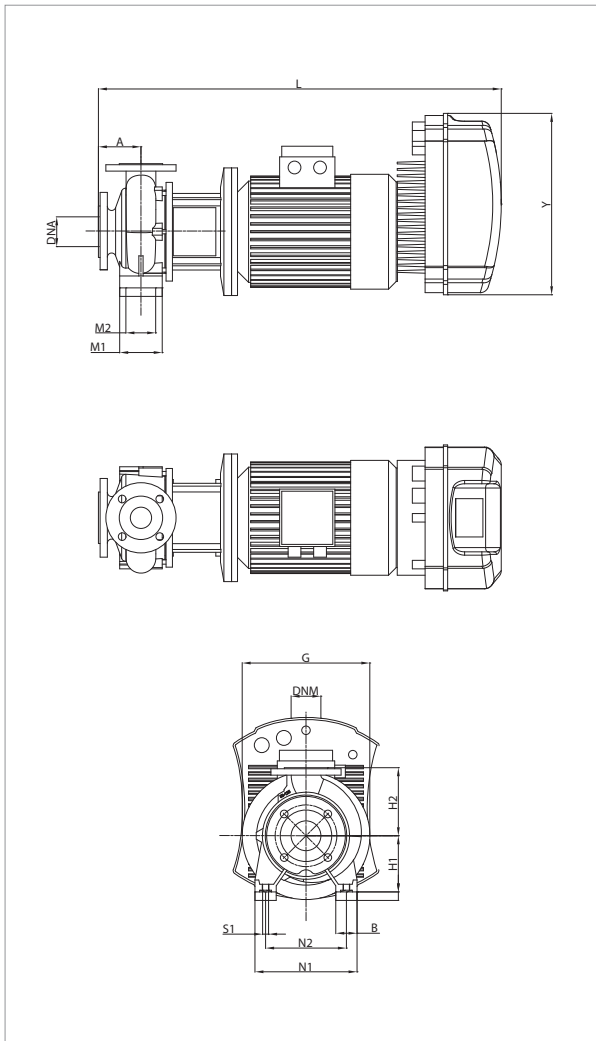
MODEL	A	B	G	H1	H2	L	M1	M2	N1	N2	S1	X	Y	PACKING DIMENSIONS			WEIGHT kg
														L/A	L/B	H	
NKP-GE 50-125/115/A/BAQE/3/2 T MCE30/C	100	50	251	132	160	775	100	70	240	190	M10	100	353	1100	550	620	87

NKP-GE 50-125 - STANDARDISED MONOBLOC CENTRIFUGAL ELECTRIC PUMPS WITH INVERTER FOR PRESSURISATION SYSTEMS



Pumped liquid temperature range: from -10 °C to +80 °C (MCE/P) - Maximum ambient temperature: +40 °C

≈ 2900 1/min



See hydraulic efficiency details on page 241.

The performance curves are based on kinematic viscosity values = 1 mm²/s and density equal to 1000 kg/m³. Curve tolerance according to ISO 9906.

MODEL	MCE MODEL	POWER INPUT 50 Hz	P2 NOMINAL		In A
			kW	HP	
NKP-GE 50-125/125/A/BAQE/4/2 MCE55/P	MCE55/P	3 x 400 ~V	4,0	5,5	9,78

MODEL	A	B	G	H1	H2	L	M1	M2	N1	N2	S1	X	Y	PACKING DIMENSIONS			WEIGHT kg
														L/A	L/B	H	
NKP-GE 50-125/125/A/BAQE/4/2 MCE55/P	100	50	267	132	160	814	100	70	240	190	M10	100	353	1026	530	546	122

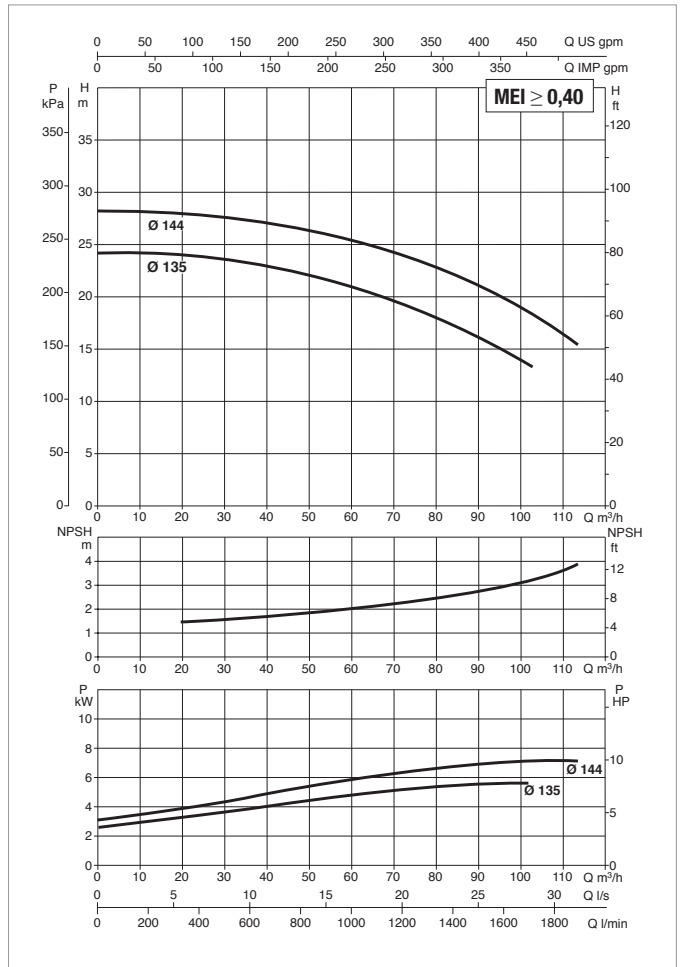
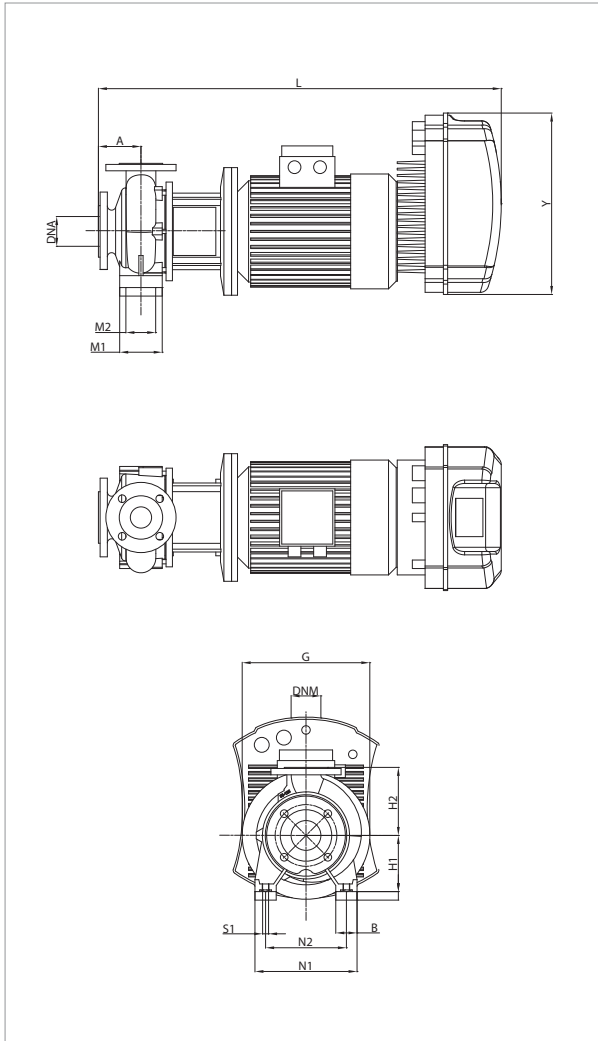
NKP-GE 50-125 - STANDARDISED MONOBLOC CENTRIFUGAL ELECTRIC PUMPS

WITH INVERTER FOR CIRCULATION OR PRESSURISATION SYSTEMS



Pumped liquid temperature range: from -10 °C to +140 °C (MCE/C) - from -10 °C to +80 °C (MCE/P) - Maximum ambient temperature: +40 °C

≈ 2900 1/min



See hydraulic efficiency details on page 241.

The performance curves are based on kinematic viscosity values = 1 mm²/s and density equal to 1000 kg/m³. Curve tolerance according to ISO 9906.

MODEL	MCE MODEL	POWER INPUT 50 Hz	P2 NOMINAL		In A
			kW	HP	
NKP-GE 50-125/135/A/BAQE/5.5/2 T MCE55/C-P	MCE55/C - MCE55/P	3 x 400 ~V	5,50	7,5	12,6
NKP-GE 50-125/144/A/BAQE/7.5/2 T MCE110/C-P	MCE110/C - MCE110/P	3 x 400 ~V	7,50	10,0	17,1

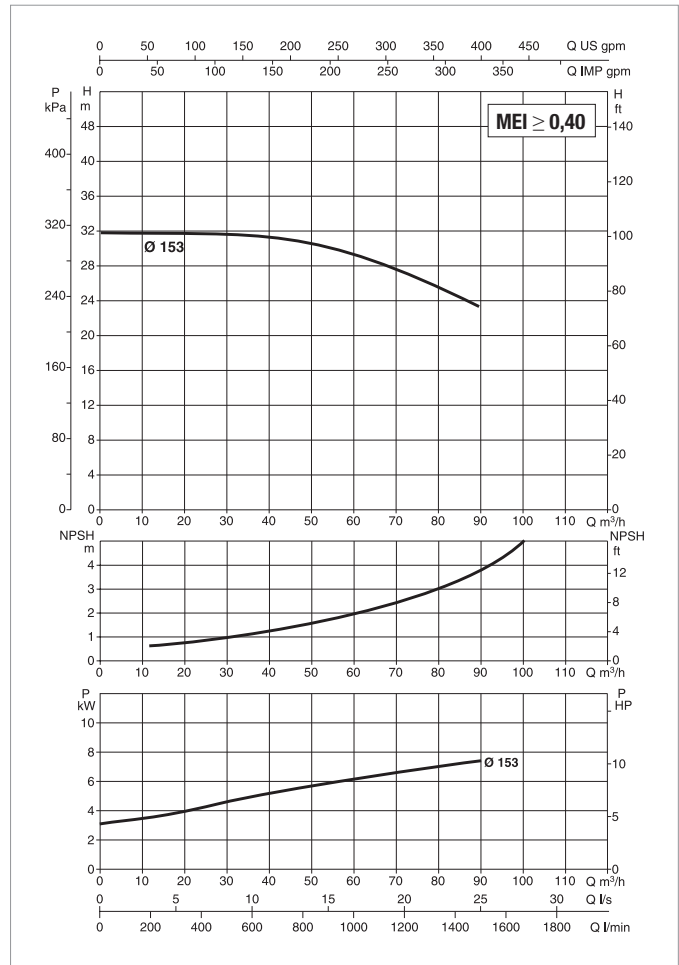
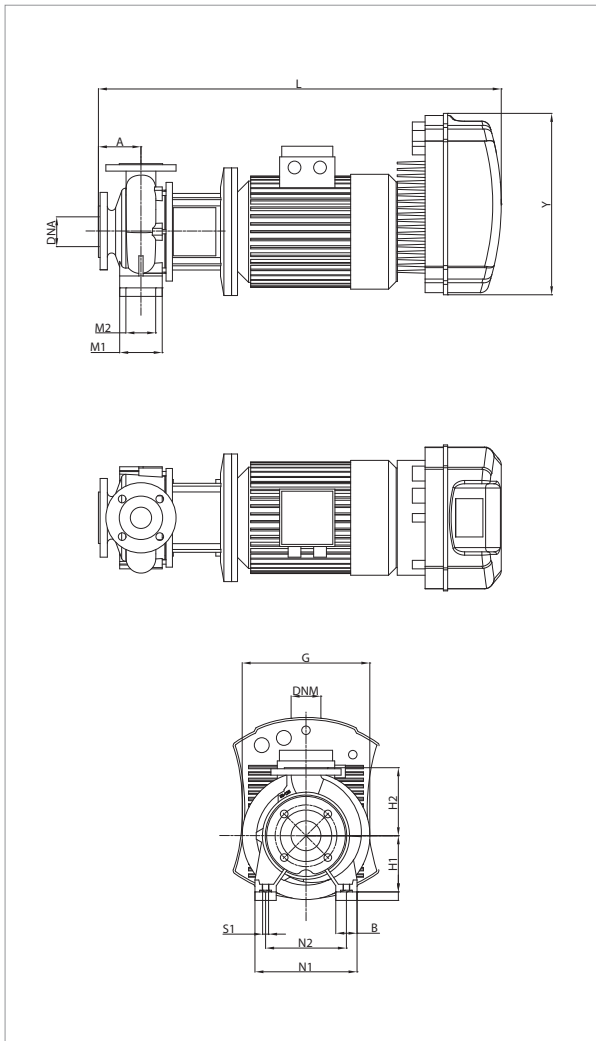
MODEL	A	B	G	H1	H2	L	M1	M2	N1	N2	S1	X	Y	PACKING DIMENSIONS			WEIGHT kg
														L/A	L/B	H	
NKP-GE 50-125/135/A/BAQE/5.5/2 T MCE55/C-P	100	50	300	132	160	903	100	70	240	190	M10	100	353	1100	550	620	124
NKP-GE 50-125/144/A/BAQE/7.5/2 T MCE110/C-P	100	50	300	132	160	953	100	70	240	190	M10	100	426	1100	550	620	133

NKP-GE 50-160 - STANDARDISED MONOBLOC CENTRIFUGAL ELECTRIC PUMPS WITH INVERTER FOR PRESSURISATION SYSTEMS



Pumped liquid temperature range: from -10 °C to +80 °C (MCE/P) - Maximum ambient temperature: +40 °C

≈ 2900 1/min



See hydraulic efficiency details on page 241.

The performance curves are based on kinematic viscosity values = 1 mm²/s and density equal to 1000 kg/m³. Curve tolerance according to ISO 9906.

MODEL	MCE MODEL	POWER INPUT 50 Hz	P2 NOMINAL		In A
			kW	HP	
NKP-GE50-160/153/A/BAQE/7.5/2MCE110/P	MCE110/P	3 x 400 ~V	7,5	10,0	17,38

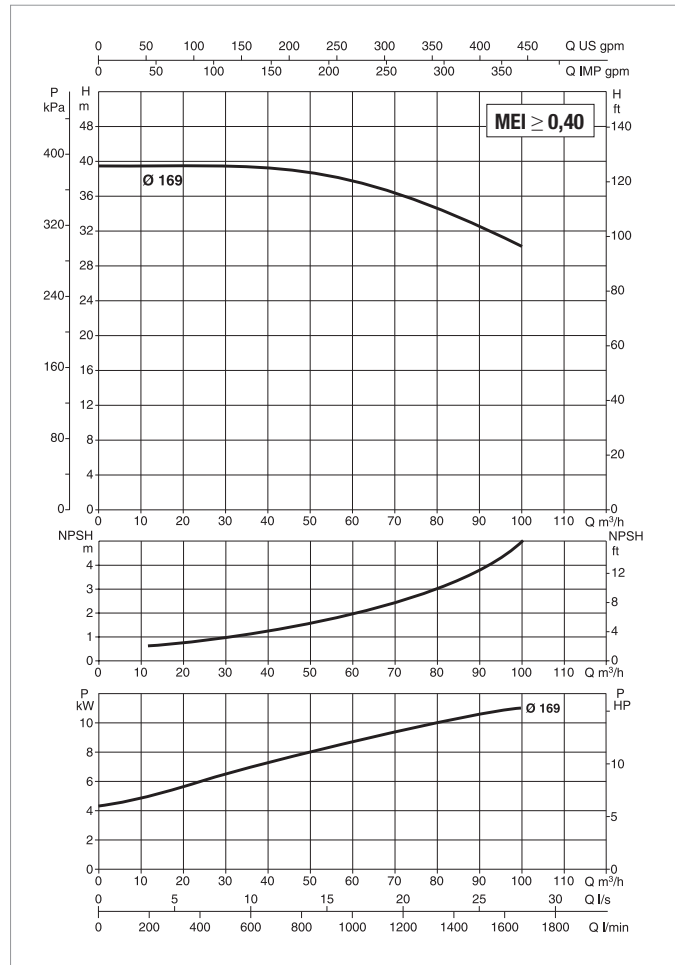
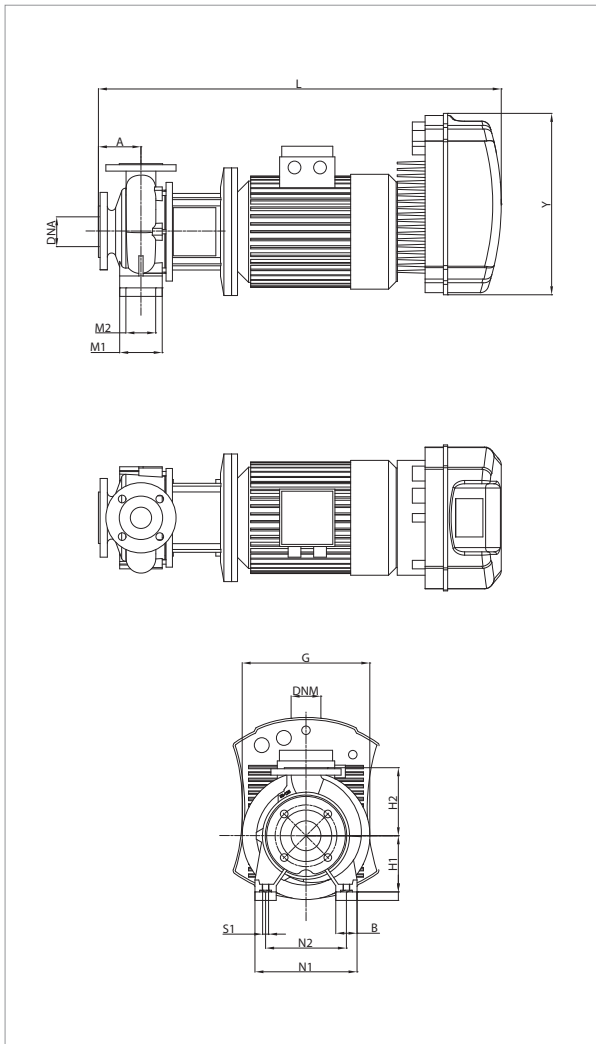
MODEL	A	B	G	H1	H2	L	M1	M2	N1	N2	S1	X	Y	PACKING DIMENSIONS			WEIGHT kg
														L/A	L/B	H	
NKP-GE50-160/153/A/BAQE/7.5/2MCE110/P	100	50	341	160	180	953	100	70	265	212	M10	100	426	1026	530	546	101

NKP-GE 50-160 - STANDARDISED MONOBLOC CENTRIFUGAL ELECTRIC PUMPS WITH INVERTER FOR CIRCULATION SYSTEMS



Pumped liquid temperature range: from -10 °C to +140 °C (MCE/C) - Maximum ambient temperature: +40 °C

≈ 2900 1/min



See hydraulic efficiency details on page 241.

The performance curves are based on kinematic viscosity values = 1 mm²/s and density equal to 1000 kg/m³. Curve tolerance according to ISO 9906.

MODEL	MCE MODEL	POWER INPUT 50 Hz	P2 NOMINAL		In A
			kW	HP	
NKP-GE 50-160/169/A/BAQE/11/2 T MCE110/C	MCE110/C	3 x 400 ~V	11,00	15,0	24,0

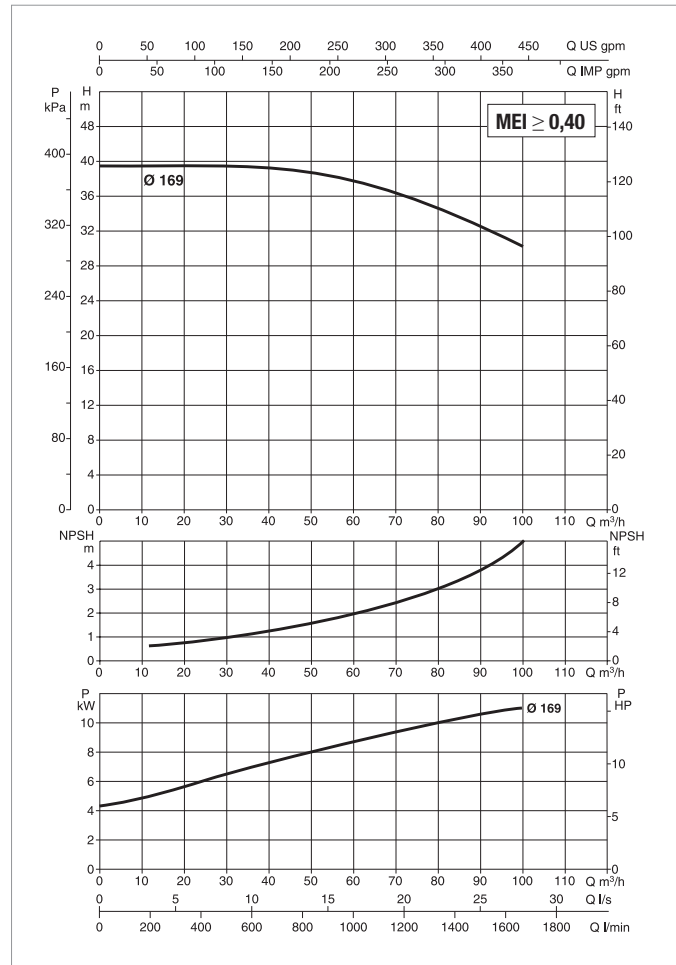
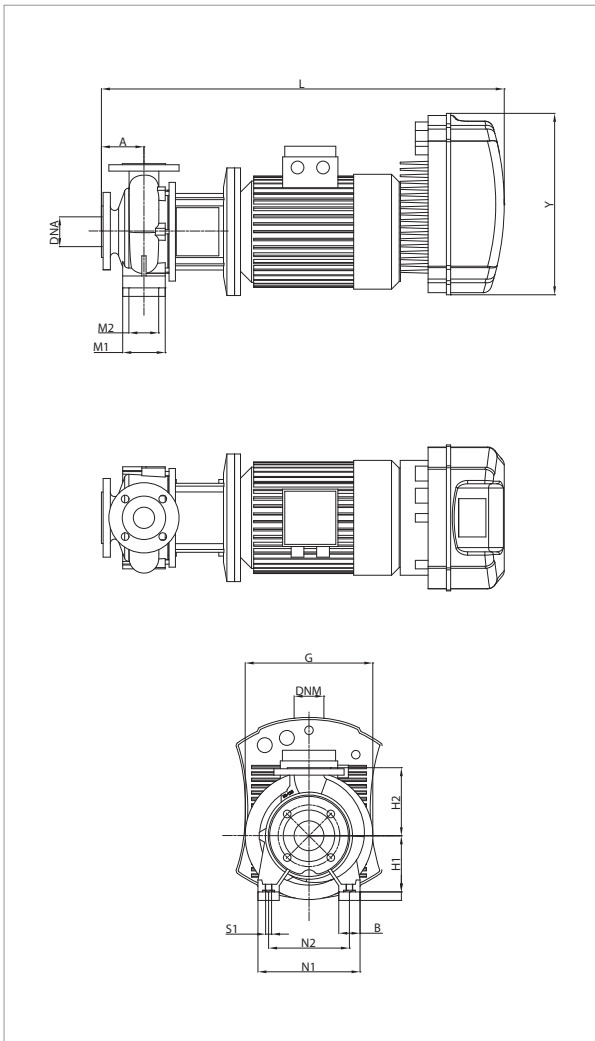
MODEL	A	B	G	H1	H2	L	M1	M2	N1	N2	S1	X	Y	PACKING DIMENSIONS			WEIGHT kg
														L/A	L/B	H	
NKP-GE 50-160/169/A/BAQE/11/2 T MCE110/C	100	67	350	160	180	1053	-	-	314	254	M12	100	426	1100	550	620	132

NKP-GE 50-160 - STANDARDISED MONOBLOC CENTRIFUGAL ELECTRIC PUMPS WITH INVERTER FOR PRESSURISATION SYSTEMS

Pumped liquid temperature range: from -10 °C to +80 °C (MCE/P) - Maximum ambient temperature: +40 °C



≈ 2900 1/min



See hydraulic efficiency details on page 241.

The performance curves are based on kinematic viscosity values = 1 mm²/s and density equal to 1000 kg/m³. Curve tolerance according to ISO 9906.

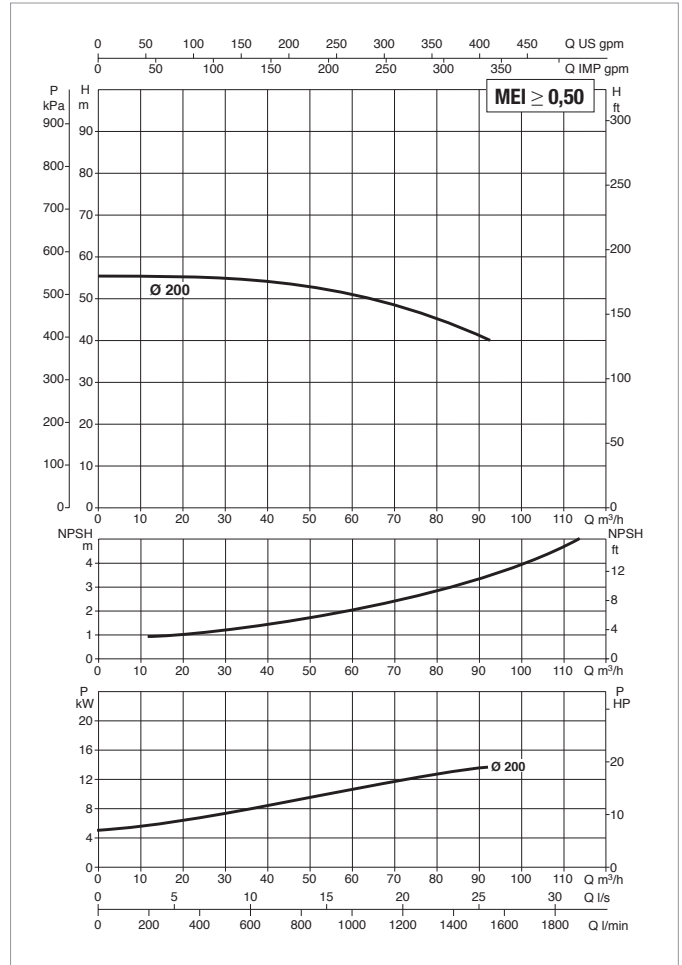
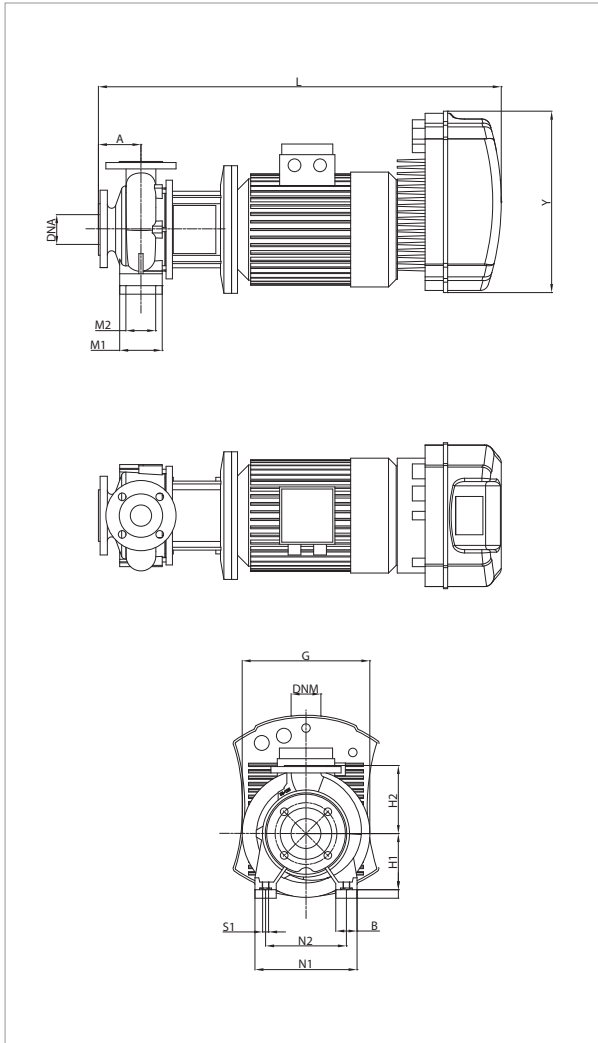
MODEL	MCE MODEL	POWER INPUT 50 Hz	P2 NOMINAL		In A
			kW	HP	
NKP-GE50-160/169/A/BAQE/11/2 MCE150/P	MCE150/P	3 x 400 ~V	11,0	15,0	24,03

MODEL	A	B	G	H1	H2	L	M1	M2	N1	N2	S1	X	Y	PACKING DIMENSIONS			WEIGHT kg
														L/A	L/B	H	
NKP-GE50-160/169/A/BAQE/11/2 MCE150/P	100	67	350	160	180	1098	-	-	314	254	M12	100	426	1386	526	676	132

NKP-GE 50-200 - STANDARDISED MONOBLOC CENTRIFUGAL ELECTRIC PUMPS WITH INVERTER FOR CIRCULATION OR PRESSURIZATION SYSTEMS



Pumped liquid temperature range: from -10 °C to +140 °C (MCE/C) - from -10 °C to +80 °C (MCE/P) - Maximum ambient temperature: +40 °C
 ≈ 2900 1/min



See hydraulic efficiency details on page 241.

The performance curves are based on kinematic viscosity values = 1 mm²/s and density equal to 1000 kg/m³. Curve tolerance according to ISO 9906.

MODEL	MCE MODEL	POWER INPUT 50 Hz	P2 NOMINAL		In A
			kW	HP	
NKP-GE 50-200/200/A/BAQE/15/2 T MCE150/C-P	MCE150/C - MCE150/?	3 x 400 ~V	15,00	20,0	32,5

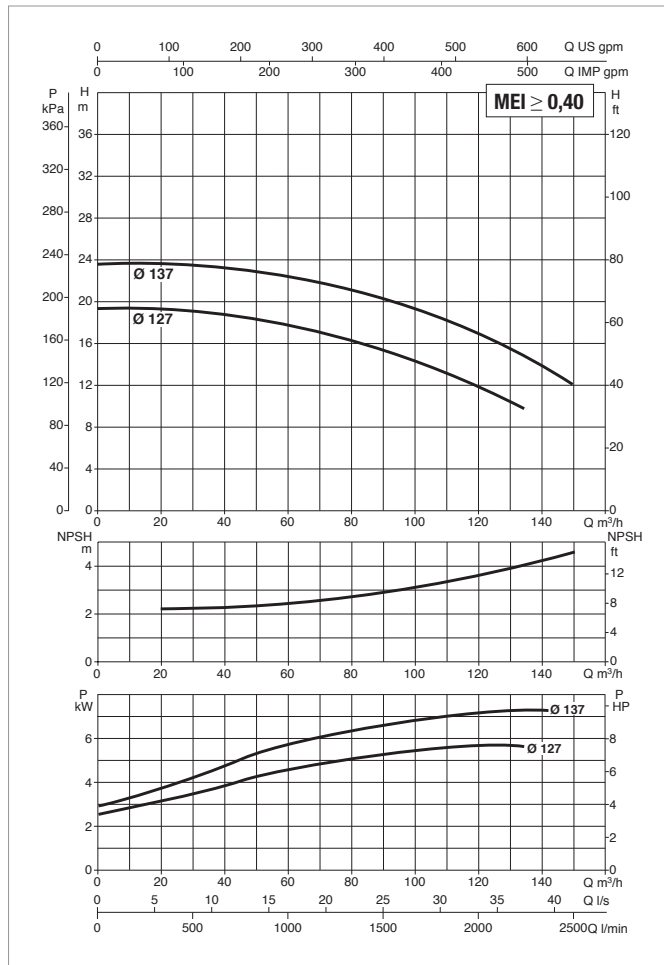
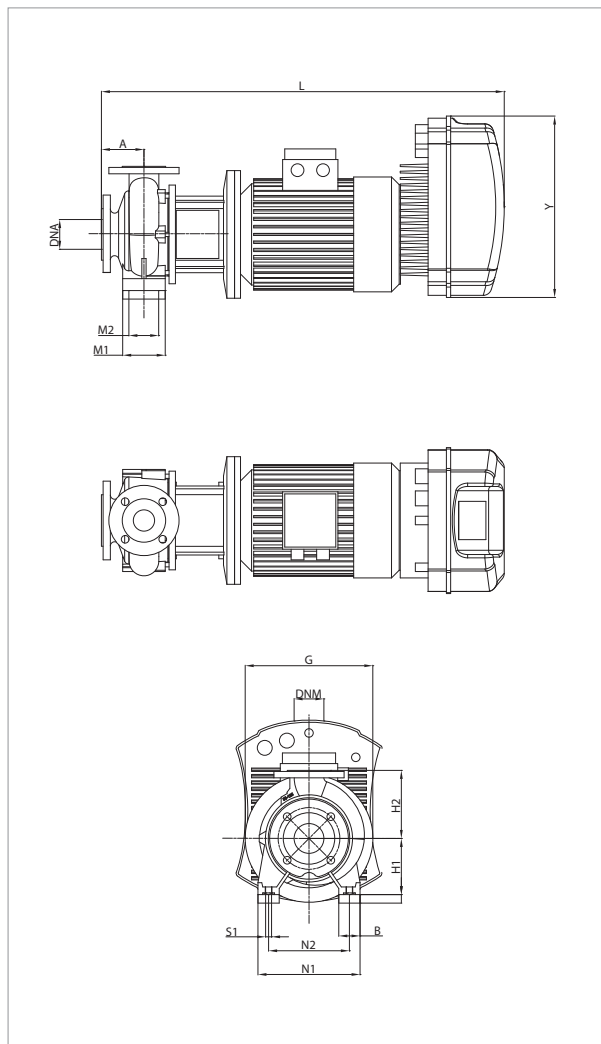
MODEL	A	B	G	H1	H2	L	M1	M2	N1	N2	S1	X	Y	PACKING DIMENSIONS			WEIGHT kg
														L/A	L/B	H	
NKP-GE 50-200/200/A/BAQE/15/2 T MCE150/C-P	100	67	350	160	200	1053	-	-	314	254	M12	100	426	1100	550	620	216

NKP-GE 65-125 - STANDARDISED MONOBLOC CENTRIFUGAL ELECTRIC PUMPS

WITH INVERTER FOR CIRCULATION OR PRESSURISATION SYSTEMS



Pumped liquid temperature range: from -10 °C to +140 °C (MCE/C) - from -10 °C to +80 °C (MCE/P) - Maximum ambient temperature: +40 °C
 ≈ 2900 1/min



See hydraulic efficiency details on page 241.

The performance curves are based on kinematic viscosity values = 1 mm²/s and density equal to 1000 kg/m³. Curve tolerance according to ISO 9906.

MODEL	MCE MODEL	POWER INPUT 50 Hz	P2 NOMINAL		In A
			kW	HP	
NKP-GE 65-125/127/A/BAQE/5.5/2 T MCE55/C-P	MCE55/C - MCE55/P	3 x 400 ~V	5,50	7,5	12,8
NKP-GE 65-125/137/A/BAQE/7.5/2 T MCE110/C-P	MCE110/C - MCE110/P	3 x 400 ~V	7,50	10,0	17,4

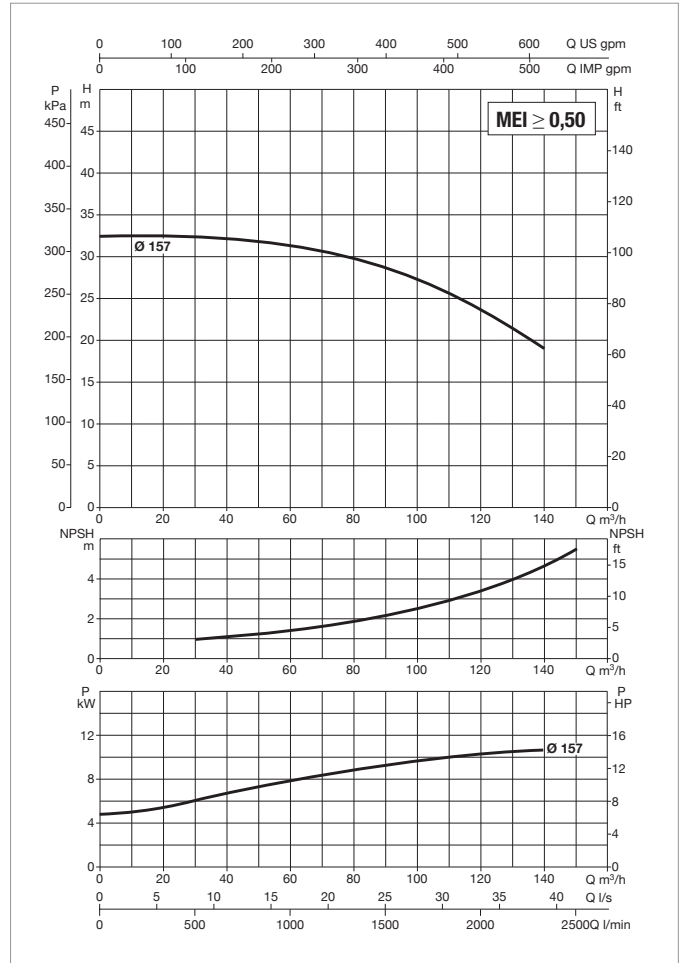
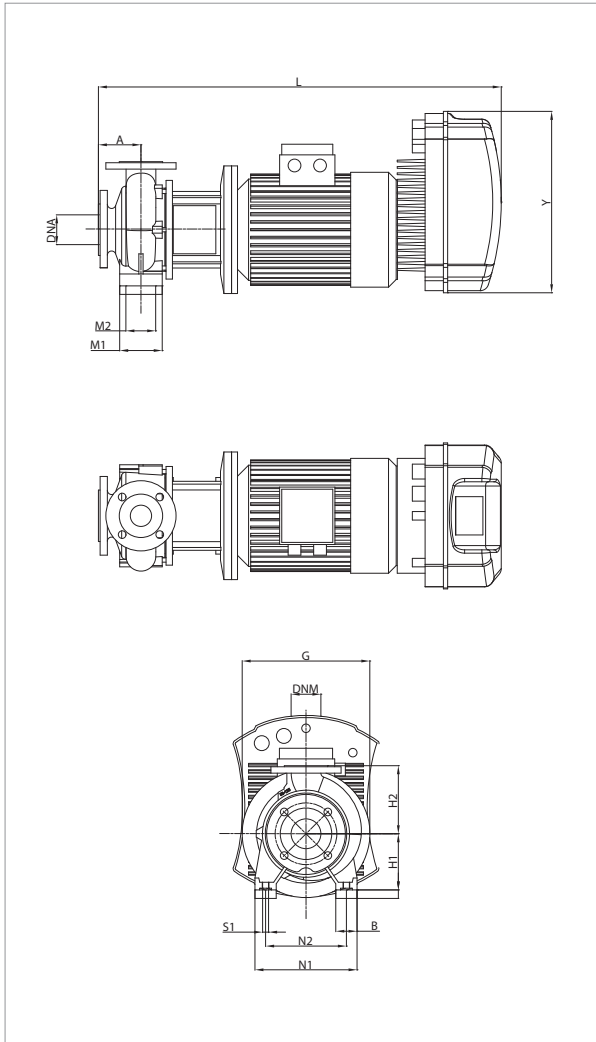
MODEL	A	B	G	H1	H2	L	M1	M2	N1	N2	S1	X	Y	PACKING DIMENSIONS			WEIGHT kg
														L/A	L/B	H	
NKP-GE 65-125/127/A/BAQE/5.5/2 T MCE55/C-P	100	65	300	160	180	903	125	95	280	212	M10	100	353	1100	550	620	122
NKP-GE 65-125/137/A/BAQE/7.5/2 T MCE110/C-P	100	65	300	160	180	953	125	95	280	212	M10	100	426	1100	550	620	131

NKP-GE 65-160 - STANDARDISED MONOBLOC CENTRIFUGAL ELECTRIC PUMPS WITH INVERTER FOR CIRCULATION SYSTEMS



Pumped liquid temperature range: from -10 °C to +140 °C (MCE/C) - Maximum ambient temperature: +40 °C

≅ 2900 1/min



See hydraulic efficiency details on page 241.

The performance curves are based on kinematic viscosity values = 1 mm²/s and density equal to 1000 kg/m³. Curve tolerance according to ISO 9906.

MODEL	MCE MODEL	POWER INPUT 50 Hz	P2 NOMINAL		In A
			kW	HP	
NKP-GE 65-160/157/A/BAQE/11/2 T MCE110/C	MCE110/C	3 x 400 ~V	11,00	15,0	23,4

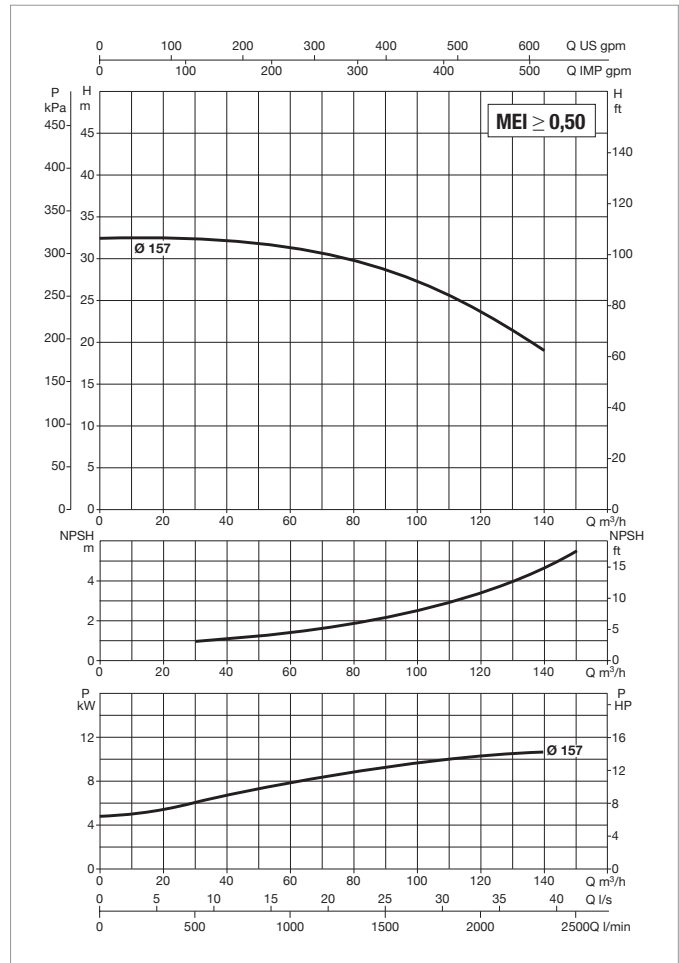
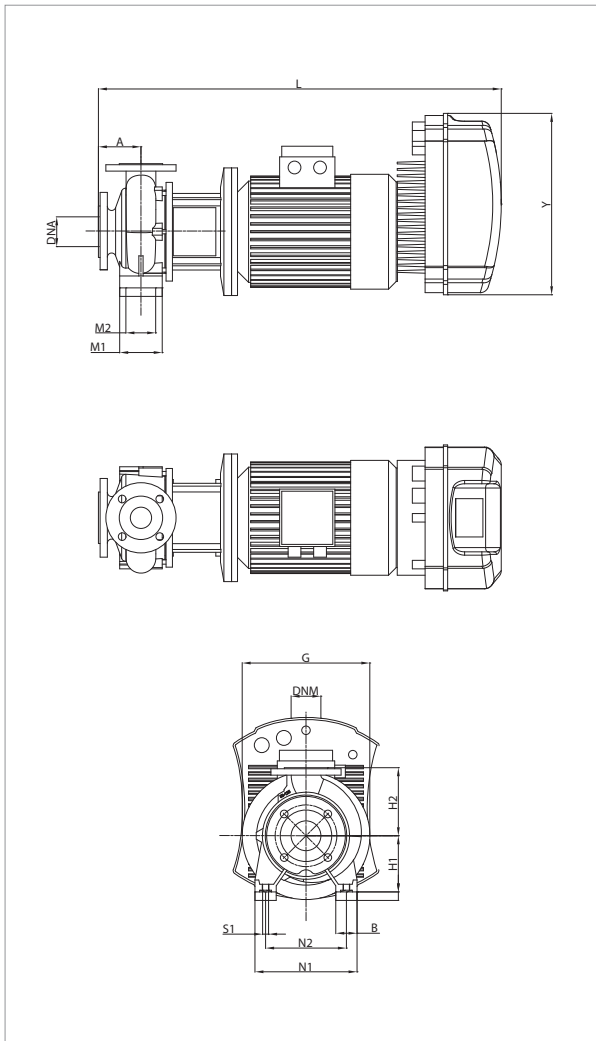
MODEL	A	B	G	H1	H2	L	M1	M2	N1	N2	S1	X	Y	PACKING DIMENSIONS			WEIGHT kg
														L/A	L/B	H	
NKP-GE 65-160/157/A/BAQE/11/2 T MCE110/C	100	67	350	160	200	1053	-	-	314	254	M12	100	426	1100	550	620	202

NKP-GE 65-160 - STANDARDISED MONOBLOC CENTRIFUGAL ELECTRIC PUMPS WITH INVERTER FOR PRESSURISATION SYSTEMS



Pumped liquid temperature range: from -10 °C to +80 °C (MCE/P) - Maximum ambient temperature: +40 °C

≈ 2900 1/min



See hydraulic efficiency details on page 241.

The performance curves are based on kinematic viscosity values = 1 mm²/s and density equal to 1000 kg/m³. Curve tolerance according to ISO 9906.

MODEL	MCE MODEL	POWER INPUT 50 Hz	P2 NOMINAL		In A
			kW	HP	
NKP-GE65-160/157/A/BAQE/11/2MCE150/P	MCE150/P	3 x 400 ~V	11,00	15,0	23,44

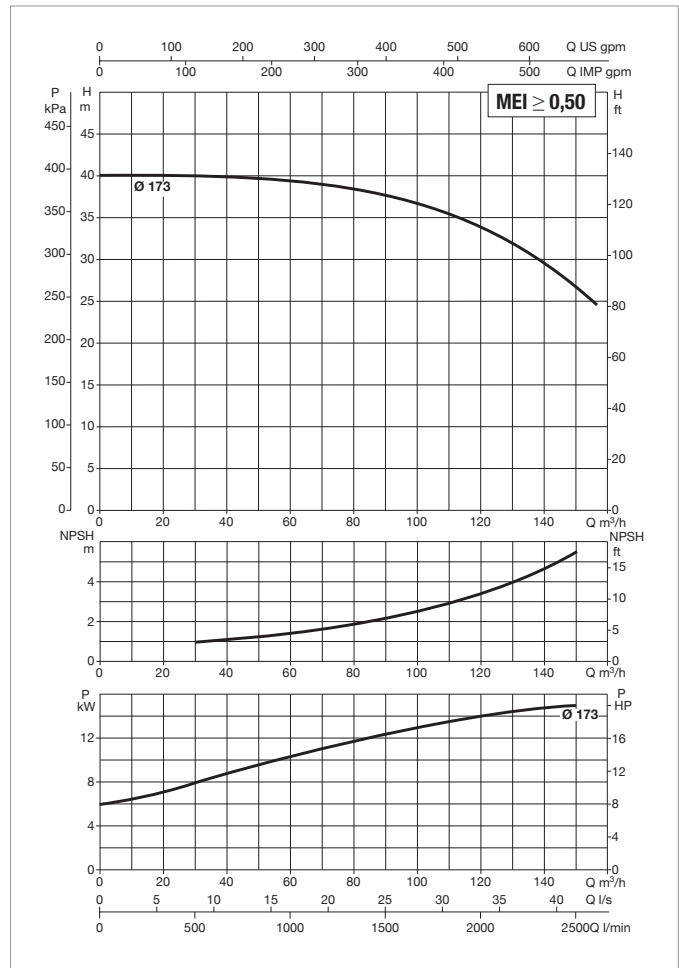
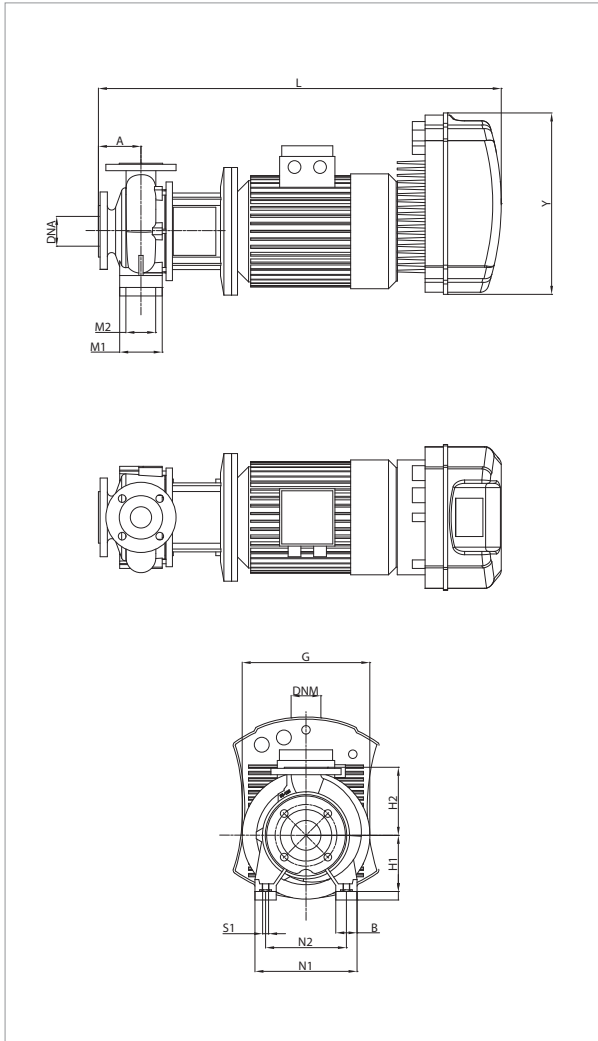
MODEL	A	B	G	H1	H2	L	M1	M2	N1	N2	S1	X	Y	PACKING DIMENSIONS			WEIGHT kg
														L/A	L/B	H	
NKP-GE65-160/157/A/BAQE/11/2MCE150/P	100	67	350	160	200	1098	-	-	314	254	M12	100	426	1386	526	676	202

NKP-GE 65-160 - STANDARDISED MONOBLOC CENTRIFUGAL ELECTRIC PUMPS WITH INVERTER FOR CIRCULATION OR PRESSURIZATION SYSTEMS

MCE-C

MCE-P

Pumped liquid temperature range: from -10 °C to +140 °C (MCE/C) - from -10 °C to +80 °C (MCE/P) - Maximum ambient temperature: +40 °C
 ≈ 2900 1/min



See hydraulic efficiency details on page 241.

The performance curves are based on kinematic viscosity values = 1 mm²/s and density equal to 1000 kg/m³. Curve tolerance according to ISO 9906.

MODEL	MCE MODEL	POWER INPUT 50 Hz	P2 NOMINAL		In A
			kW	HP	
NKP-GE 65-160/173/A/BAQE/15/2 T MCE150/C-P	MCE150/C - MCE150/P	3 x 400 ~V	15,00	20,0	33,5

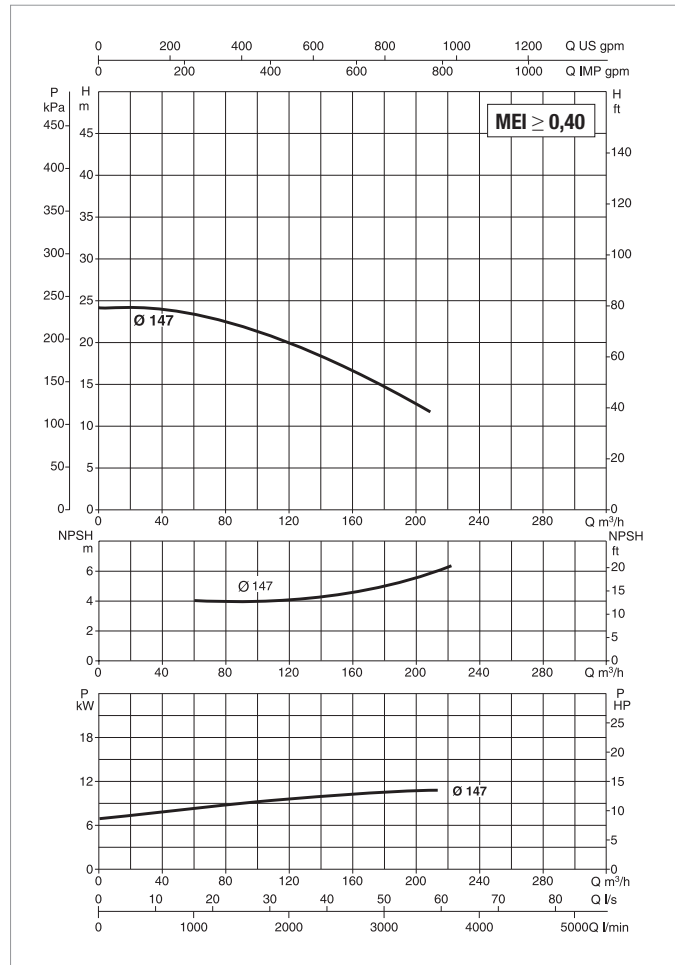
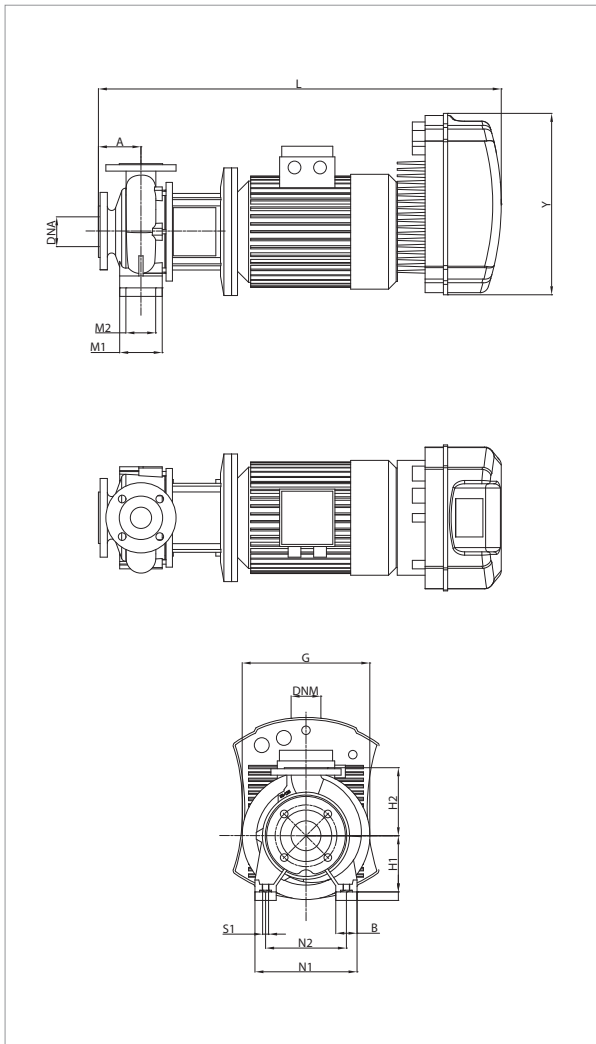
MODEL	A	B	G	H1	H2	L	M1	M2	N1	N2	S1	X	Y	PACKING DIMENSIONS			WEIGHT kg
														L/A	L/B	H	
NKP-GE 65-160/173/A/BAQE/15/2 T MCE150/C-P	100	67	350	160	200	1053	-	-	314	254	M12	100	426	1100	550	620	212

NKP-GE 80-160 - STANDARDISED MONOBLOC CENTRIFUGAL ELECTRIC PUMPS WITH INVERTER FOR CIRCULATION SYSTEMS



Pumped liquid temperature range: from -10 °C to +140 °C (MCE/C) - Maximum ambient temperature: +40 °C

≈ 2900 1/min



See hydraulic efficiency details on page 241.

The performance curves are based on kinematic viscosity values = 1 mm²/s and density equal to 1000 kg/m³. Curve tolerance according to ISO 9906.

MODEL	MCE MODEL	POWER INPUT 50 Hz	P2 NOMINAL		In A
			kW	HP	
NKP-GE 80-160/147-127/A/BAQE/11/2 T MCE110/C	MCE110/C	3 x 400 ~V	11,00	15,0	24,1

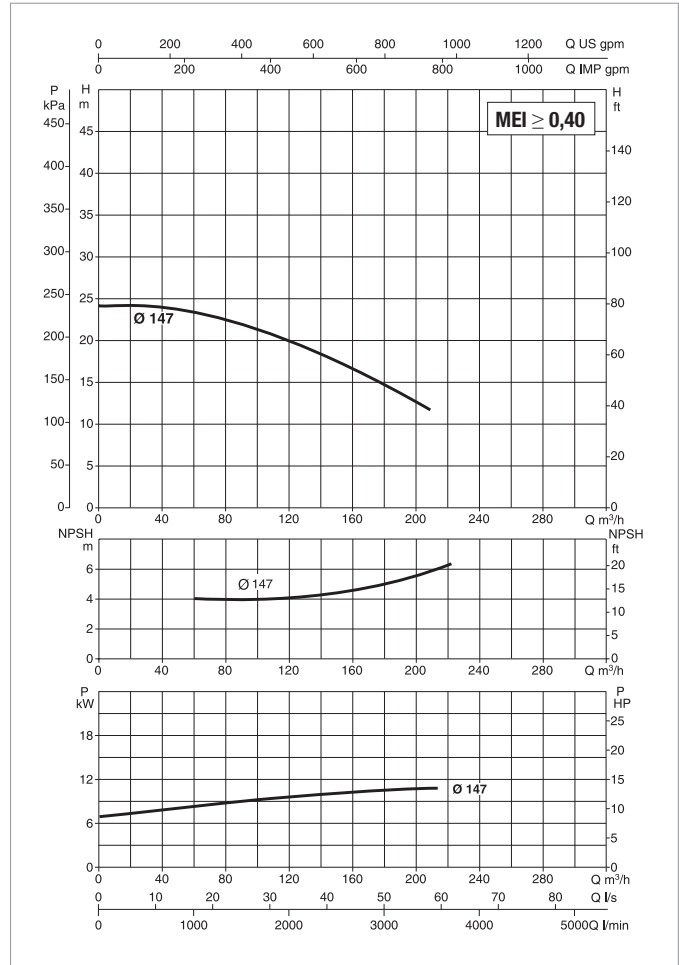
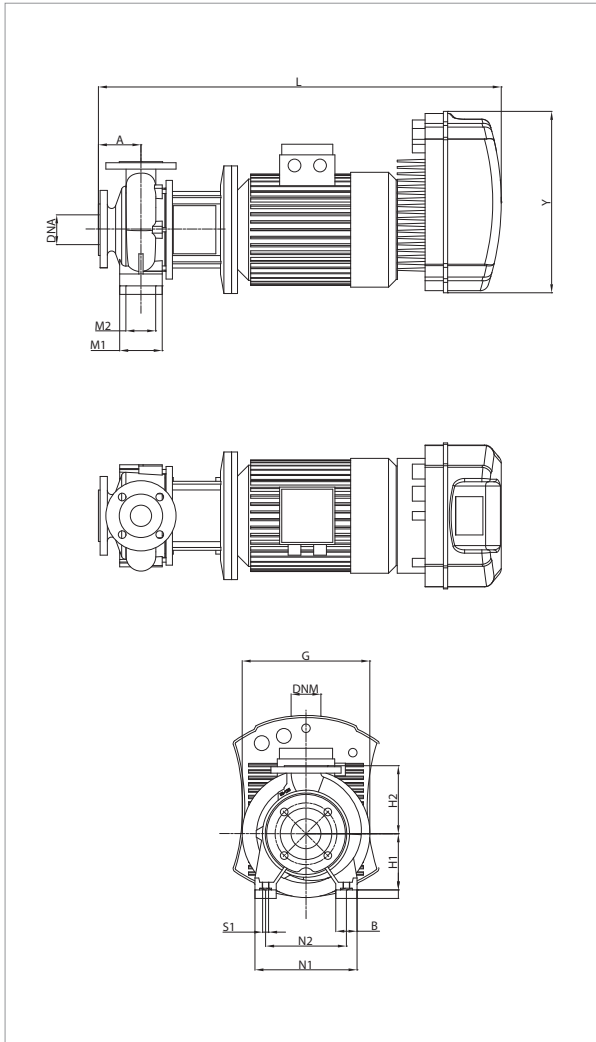
MODEL	A	B	G	H1	H2	L	M1	M2	N1	N2	S1	X	Y	PACKING DIMENSIONS			WEIGHT kg
														L/A	L/B	H	
NKP-GE 80-160/147-127/A/BAQE/11/2 T MCE110/C	125	67	350	160	225	1078	-	-	314	254	M12	140	426	1360	500	530	215

NKP-GE 80-160 - STANDARDISED MONOBLOC CENTRIFUGAL ELECTRIC PUMPS WITH INVERTER FOR PRESSURISATION SYSTEMS



Pumped liquid temperature range: from -10 °C to +80 °C (MCE/P) - Maximum ambient temperature: +40 °C

≅ 2900 1/min



See hydraulic efficiency details on page 241.

The performance curves are based on kinematic viscosity values = 1 mm²/s and density equal to 1000 kg/m³. Curve tolerance according to ISO 9906.

MODEL	MCE MODEL	POWER INPUT 50 Hz	P2 NOMINAL		In A
			kW	HP	
NKP-GE80-160/147-127/A/BAQE/11/2MCE150/P	MCE150/P	3 x 400 ~V	11,00	15,0	24,09

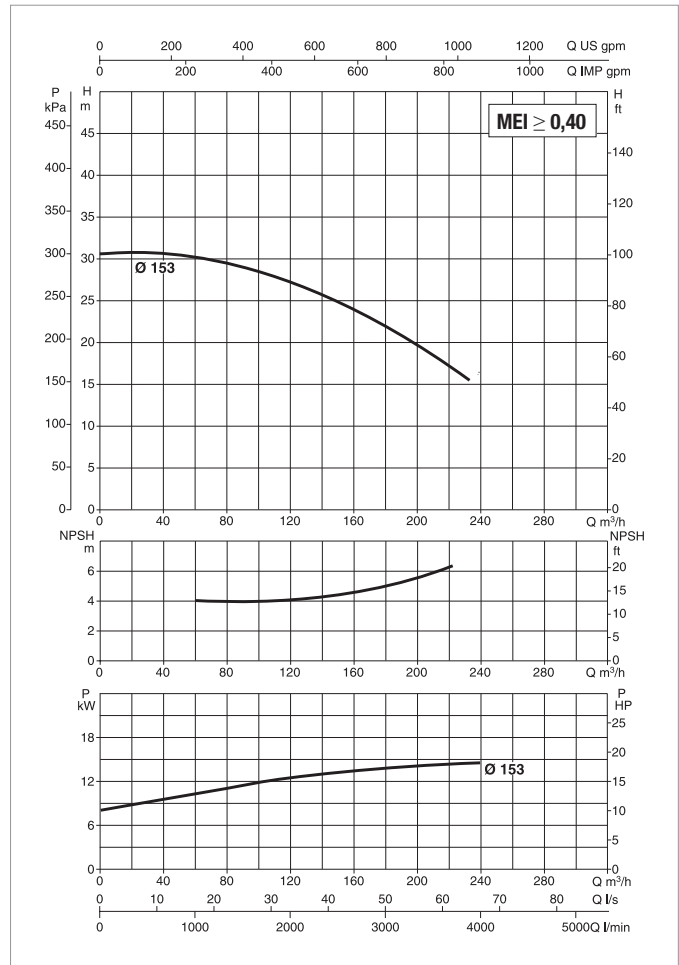
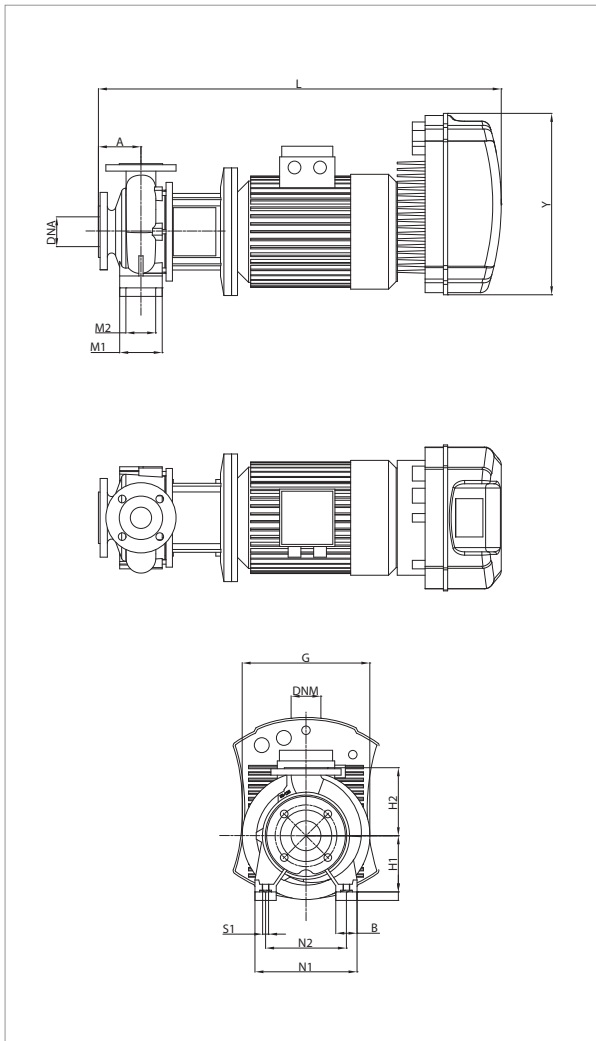
MODEL	A	B	G	H1	H2	L	M1	M2	N1	N2	S1	X	Y	PACKING DIMENSIONS			WEIGHT kg
														L/A	L/B	H	
NKP-GE80-160/147-127/A/BAQE/11/2MCE150/P	125	67	350	160	225	1123	-	-	314	254	M12	140	426	1386	526	676	215

NKP-GE 80-160 - STANDARDISED MONOBLOC CENTRIFUGAL ELECTRIC PUMPS WITH INVERTER FOR CIRCULATION SYSTEMS



Pumped liquid temperature range: from -10 °C to +140 °C (MCE/C) - Maximum ambient temperature: +40 °C

≈ 2900 1/min



See hydraulic efficiency details on page 241.

The performance curves are based on kinematic viscosity values = 1 mm²/s and density equal to 1000 kg/m³. Curve tolerance according to ISO 9906.

MODEL	MCE MODEL	POWER INPUT 50 Hz	P2 NOMINAL		In A
			kW	HP	
NKP-GE 80-160/153/A/BAQE/15/2 T MCE150/C	MCE150/C	3 x 400 ~V	15,00	20,0	32,6

MODEL	A	B	G	H1	H2	L	M1	M2	N1	N2	S1	X	Y	PACKING DIMENSIONS			WEIGHT kg
														L/A	L/B	H	
NKP-GE 80-160/153/A/BAQE/15/2 T MCE150/C	125	67	350	160	225	1078	-	-	314	254	M12	140	426	1360	500	530	221